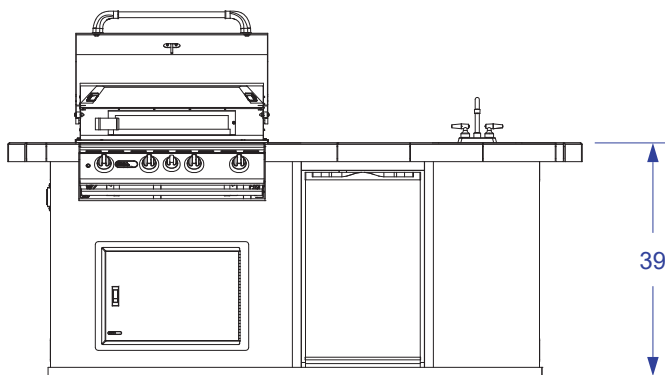
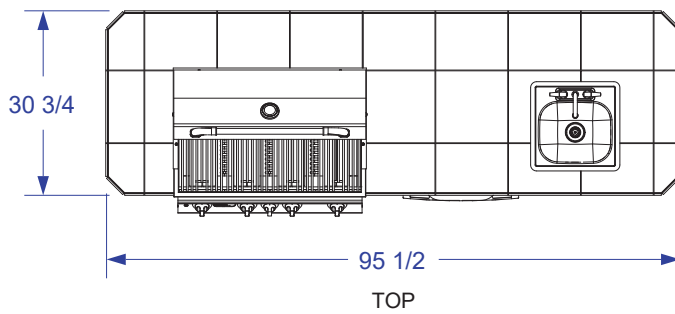
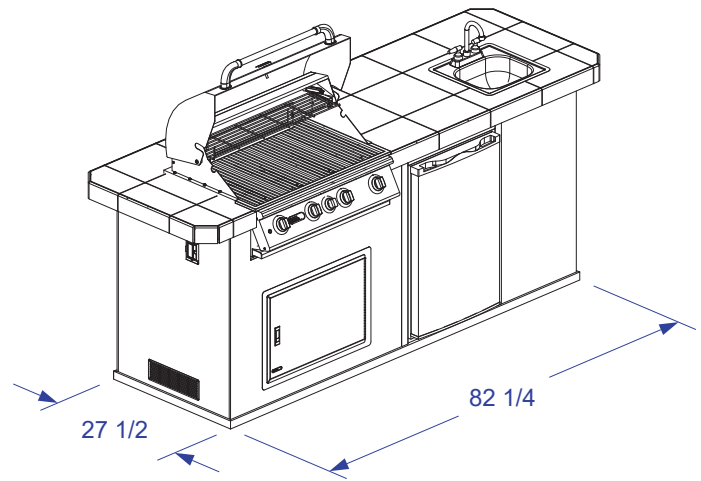
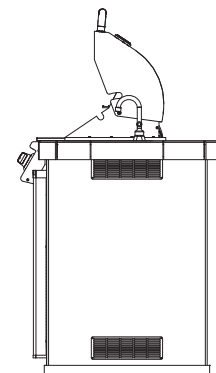




OUTDOOR KITCHEN ISLAND W/ 31" TOP SPEC SHEET



FRONT



RIGHT

- NOTES:
1. FOR ROCK FINISHES, ADD 1 1/2" ON ALL BASE SIDES.
 2. 6" MAX HEIGHT ON ALL STUB-UPS.
 3. SHOWN WITH STANDARD 4-BURNER ANGUS GRILL.
 4. SCALE: 3/8" = 1'-0"