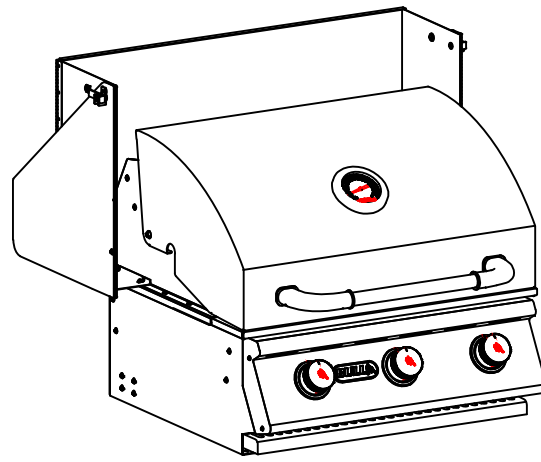




WWW.BULLBBQ.COM

**24 INCH GRILL WINDSHIELD  
SPEC SHEET  
ITEM # 24402**

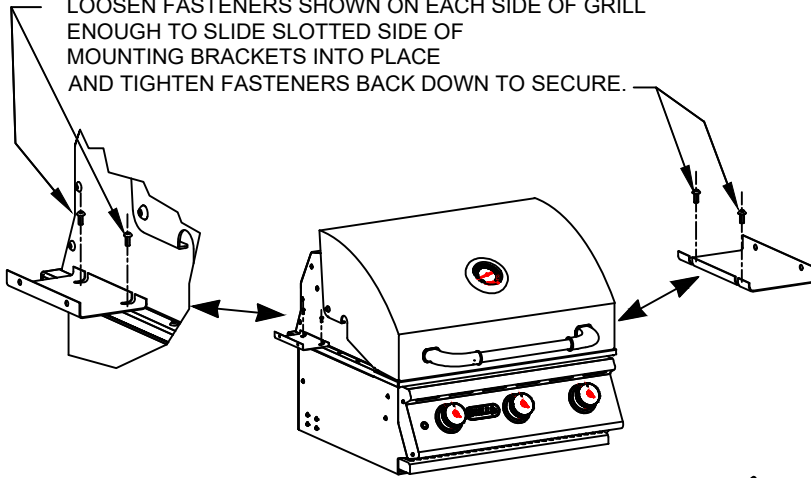


**PERSPECTIVE VIEW AFTER INSTALLATION**

**INSTALLATION**

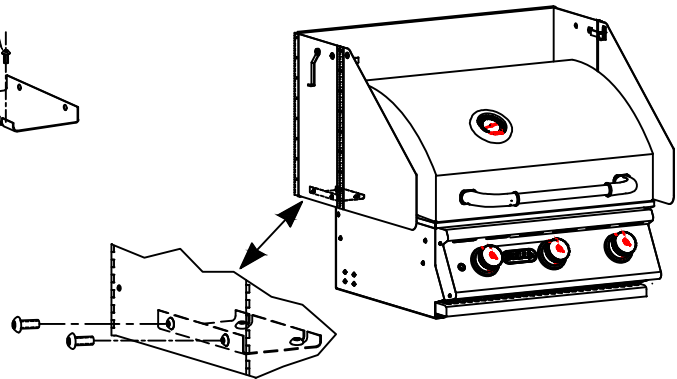
**STEP ONE / INSTALL MOUNTING BRACKETS TO GRILL**

LOOSEN FASTENERS SHOWN ON EACH SIDE OF GRILL ENOUGH TO SLIDE SLOTTED SIDE OF MOUNTING BRACKETS INTO PLACE AND TIGHTEN FASTENERS BACK DOWN TO SECURE.

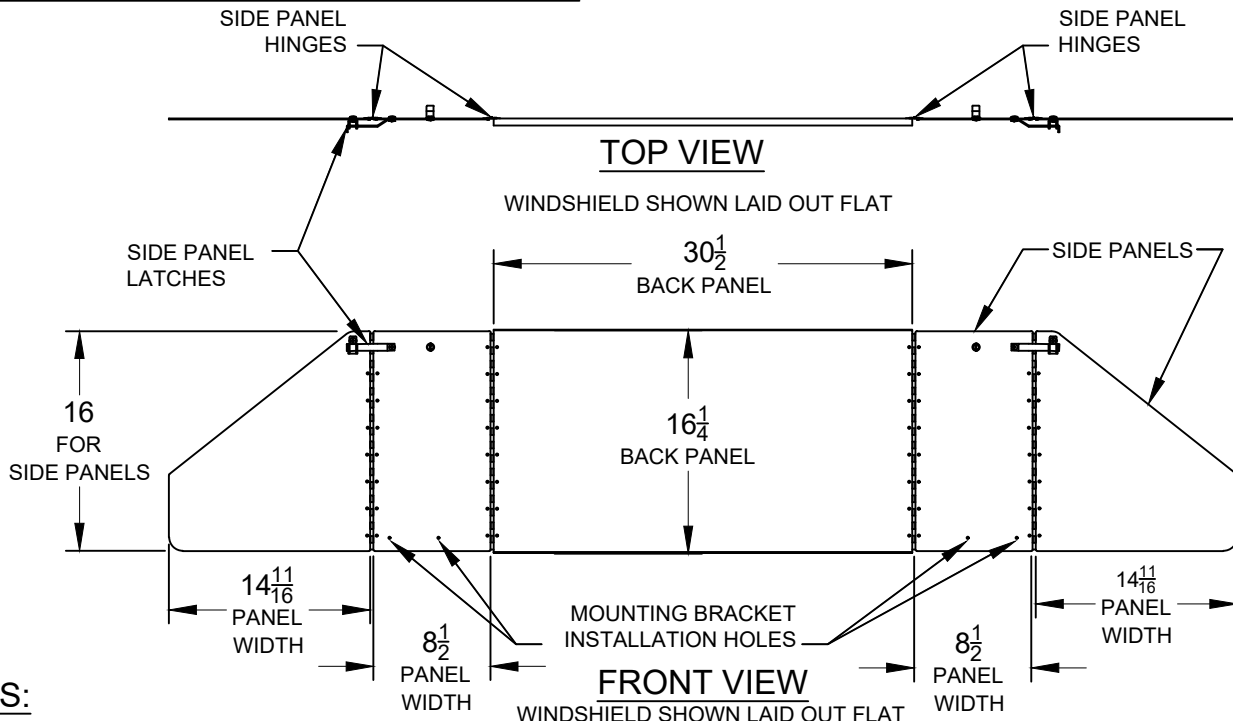


**STEP TWO / INSTALL WINDSHIELD TO MOUNTING BRACKETS**

USE PROVIDED FASTENERS TO ATTACH GRILL WINDSHIELD TO MOUNTING BRACKETS PER DETAIL BELOW.



**BASIC SIZE DIMENSIONS AND FEATURES**



**NOTES:**

- 1) ALL DIMENSIONS ARE IN INCH UNITS
- 2) REFER TO PERSPECTIVE VIEW FOR INSTALLATION