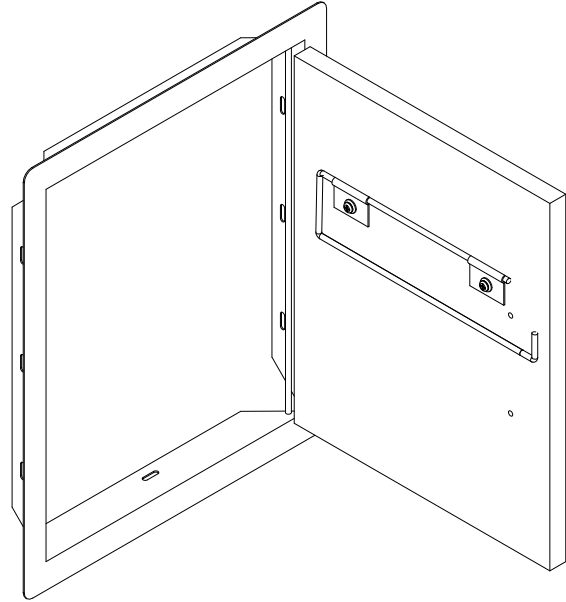
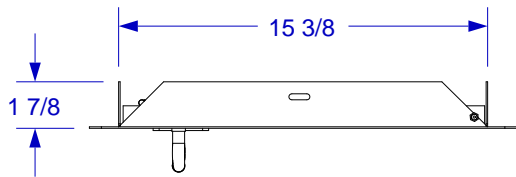




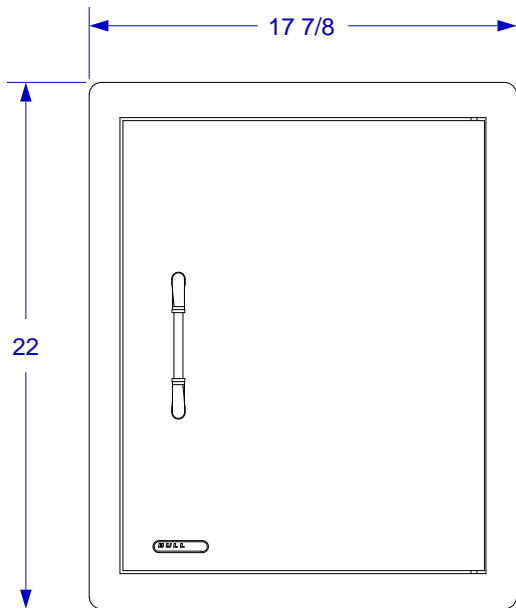
VERTICAL DOOR
(RIGHT SWING)
SPEC SHEET
PN# 89975



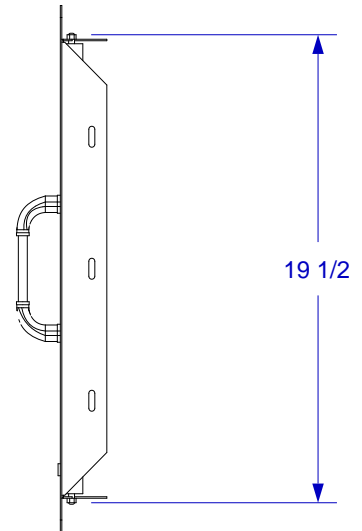
ISOMETRIC VIEW



TOP VIEW



FRONT VIEW



RIGHT SIDE VIEW

NOTES:

1. CUTOUT DIMENSIONS: 15 3/4" W X 20" H X 2" D
2. SCALE: 1 1/2" = 1'-0"
3. REVISION: 04/2017