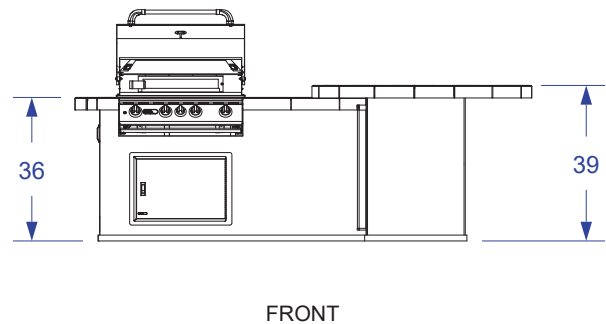
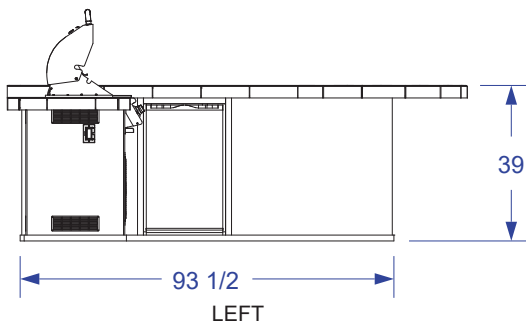
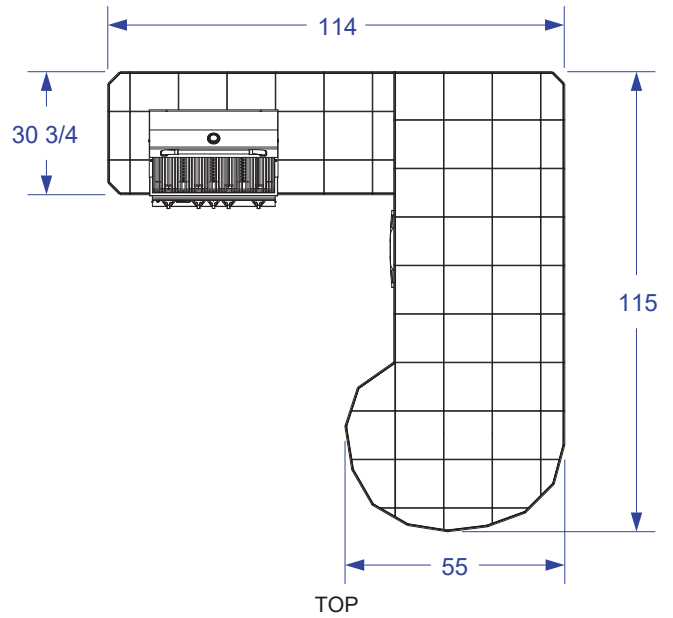
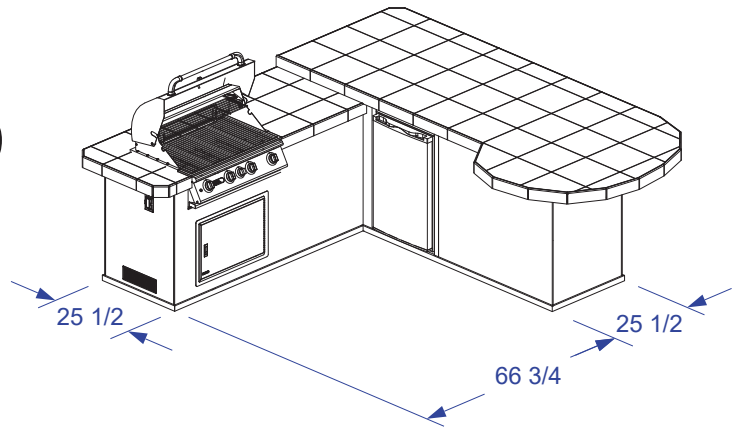




# SUPREME Q ISLAND SPEC SHEET



**NOTES:**

1. 6" MAX HEIGHT ON ALL STUB-UPS.
2. SHOWN WITH STANDARD 4-BURNER ANGUS GRILL.
3. SCALE: 1/4" = 1'-0"