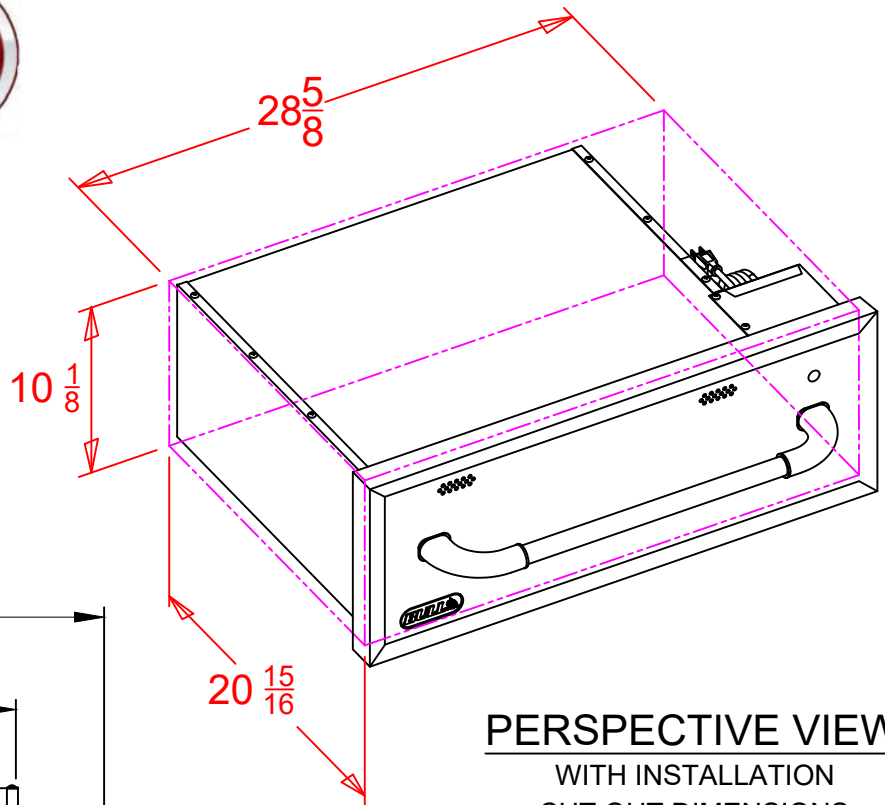


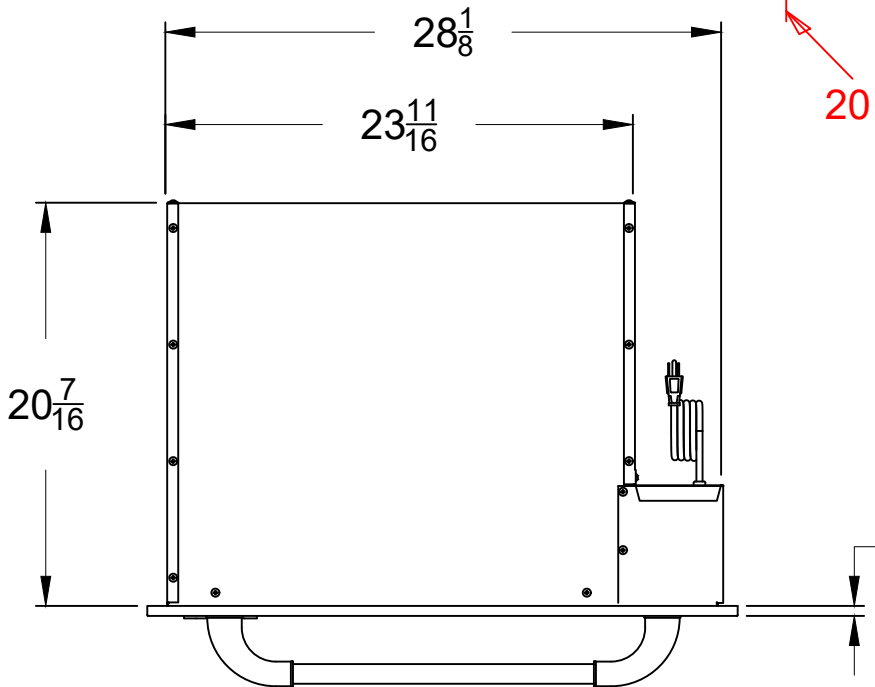


WWW.BULLBBQ.COM

**WARMING DRAWER  
WITH REVEAL**  
**SPEC SHEET**  
**ITEM # 85747**

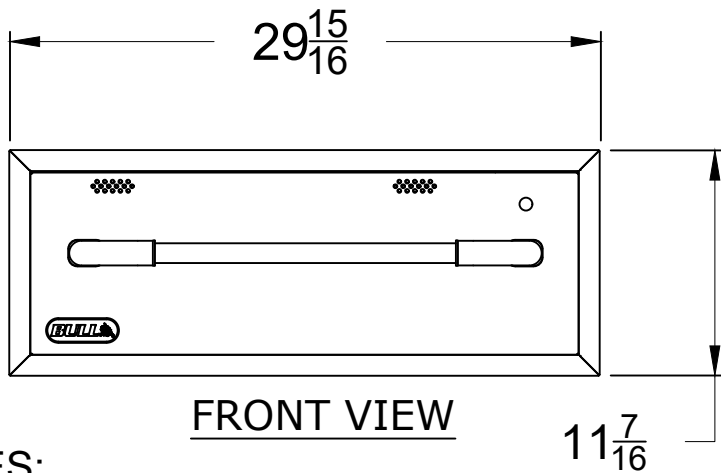


**PERSPECTIVE VIEW**  
WITH INSTALLATION  
CUT OUT DIMENSIONS

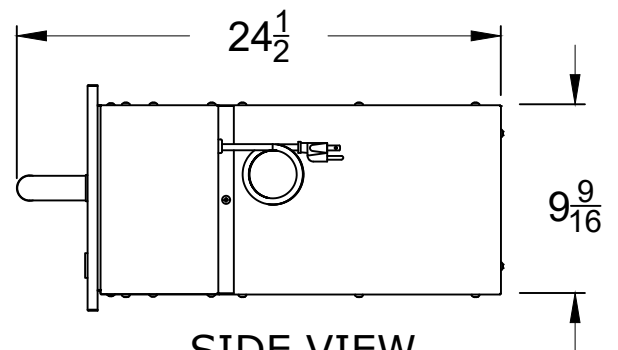


**TOP VIEW**

$\frac{1}{2}$   
REVEAL



**FRONT VIEW**



**SIDE VIEW**

**NOTES:**

- 1) ALL DIMENSIONS ARE IN INCH UNITS
- 2) REFER TO PERSPECTIVE VIEW FOR INSTALLATION CUTOUT DIMENSIONS.