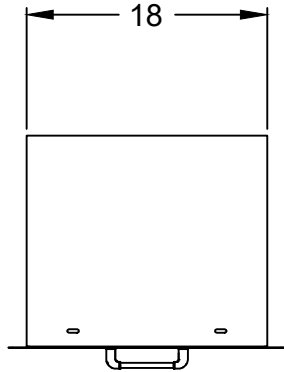


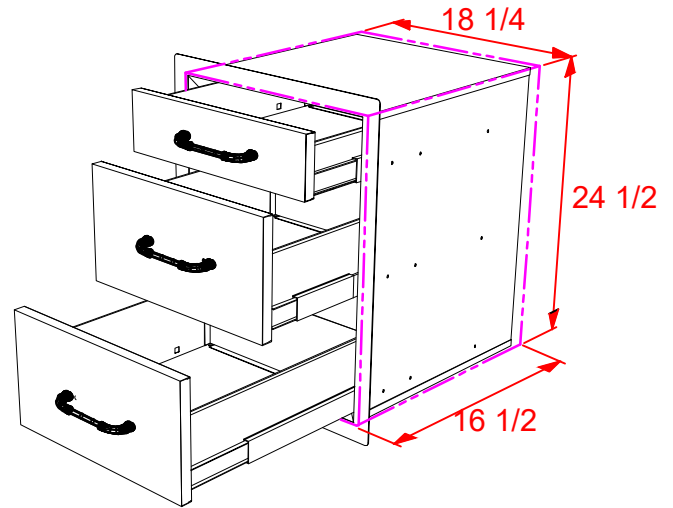


WWW.BULLBBQ.COM

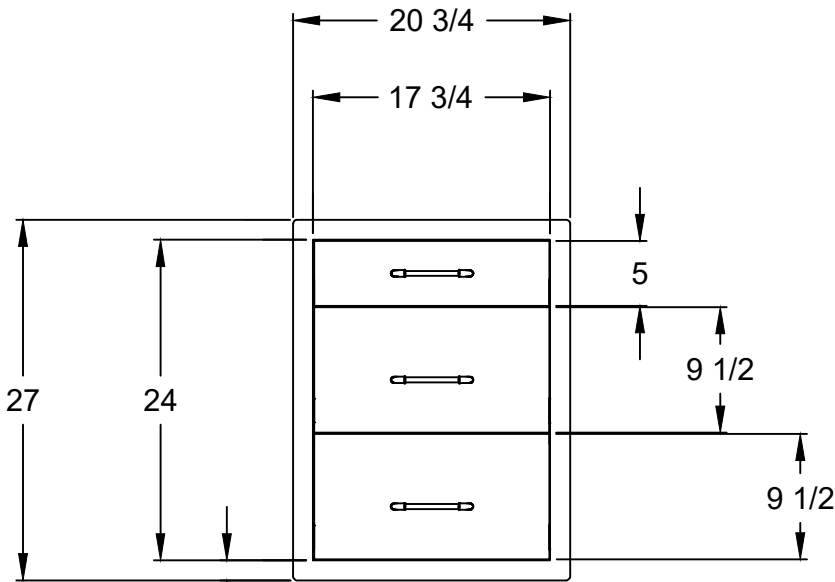
**SPEC SHEET**  
**ITEM # 58110**  
**TRIPLE DRAWER**



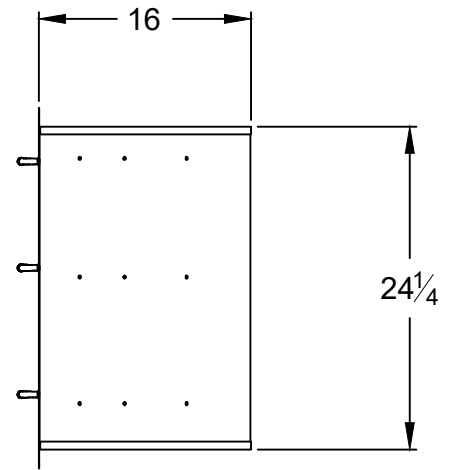
TOP VIEW



PERSPECTIVE VIEW  
WITH INSTALLATION  
CUT OUT DIMENSIONS



FRONT VIEW



SIDE VIEW

**NOTES:**

- 1) ALL DIMENSIONS ARE IN INCH UNITS
- 2) REFER TO PERSPECTIVE VIEW FOR INSTALLATION CUTOUT DIMENSIONS.