



WWW.BULLBBQ.COM

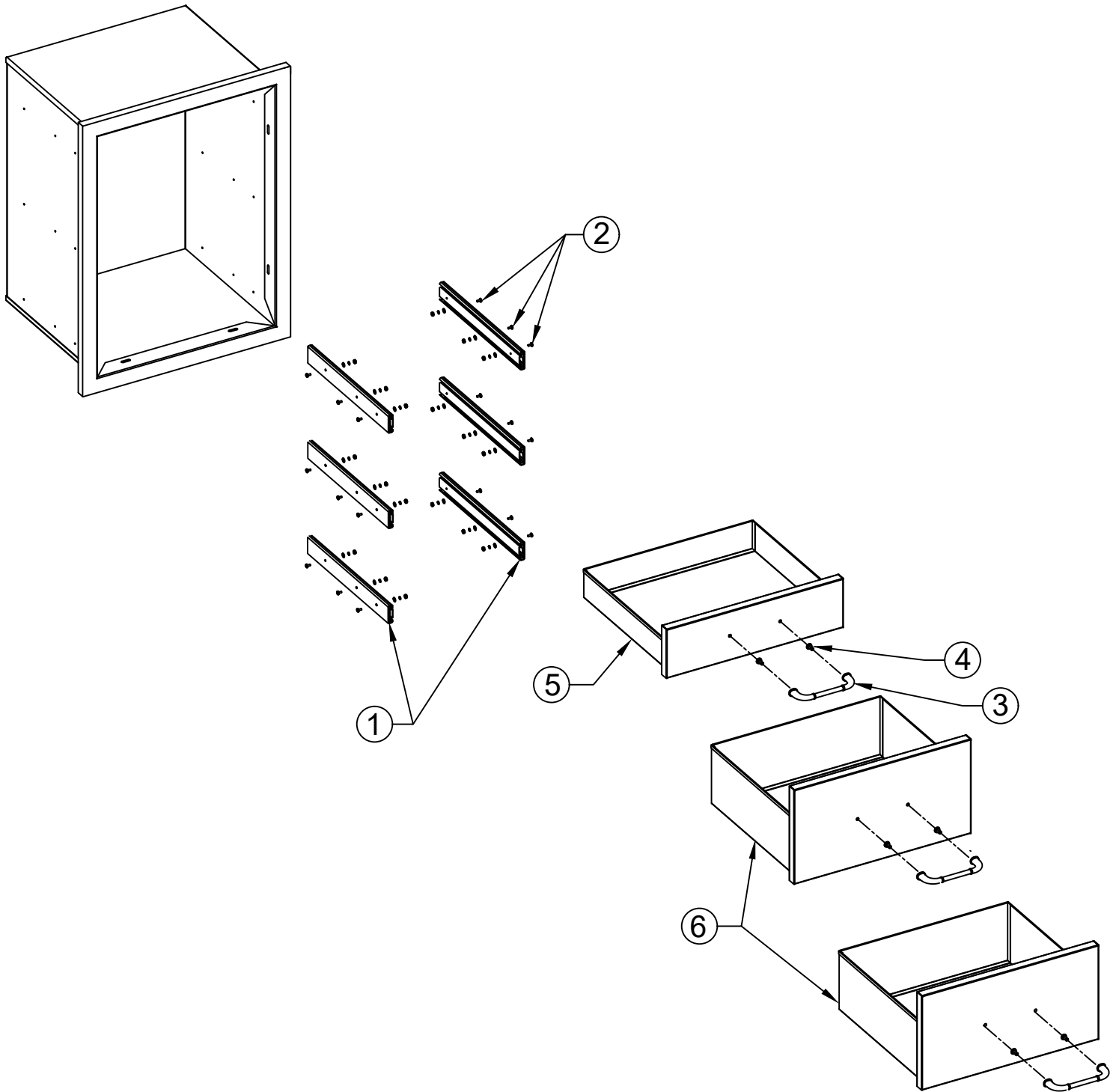
PARTS LIST

ITEM #	PART #	DESCRIPTION	QTY
1	58115	14" SOFT CLOSING GUIDE TRACK(L&R)	3 SETS
2	58116	GUIDE TRACK INSTALL SCREW SET	3 SETS
3	16572 OR 16619	HANDLE	3
4	16611	DRAWER HANDLE SCREW SET	3 SETS
5	58121	TOP DRAWER REPLACEMENT	1
6	58122	BOTTOM DRAWER REPLACEMENT	2

EXPLODED VIEW WITH PARTS LIST

ITEM # 58120

TRIPLE DRAWER WITH REVEAL



EXPLODED VIEW