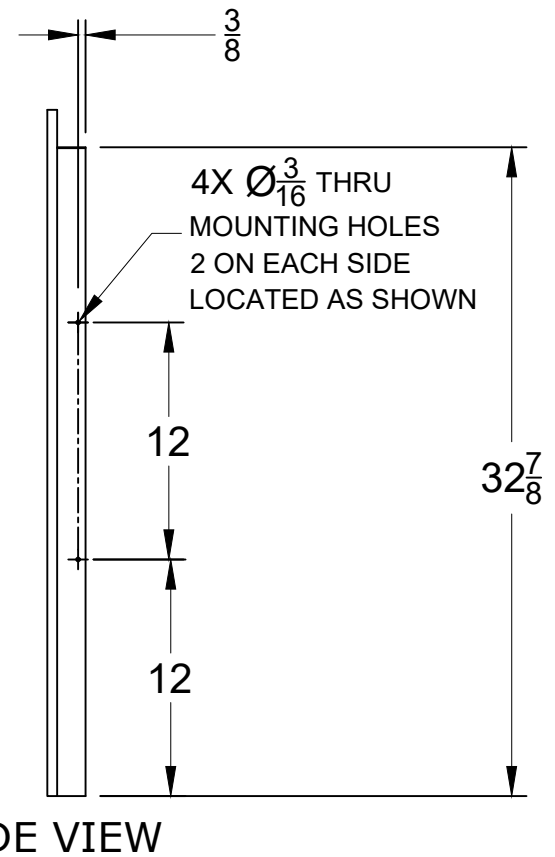
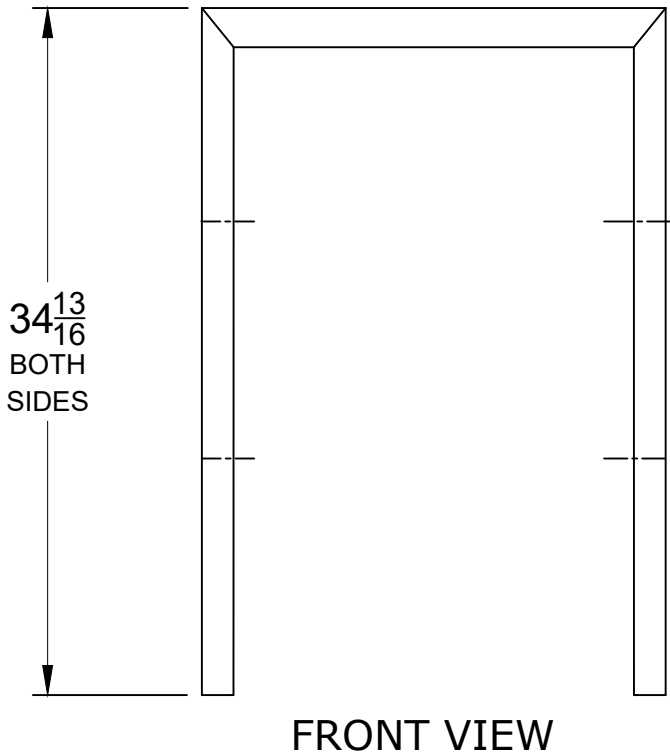
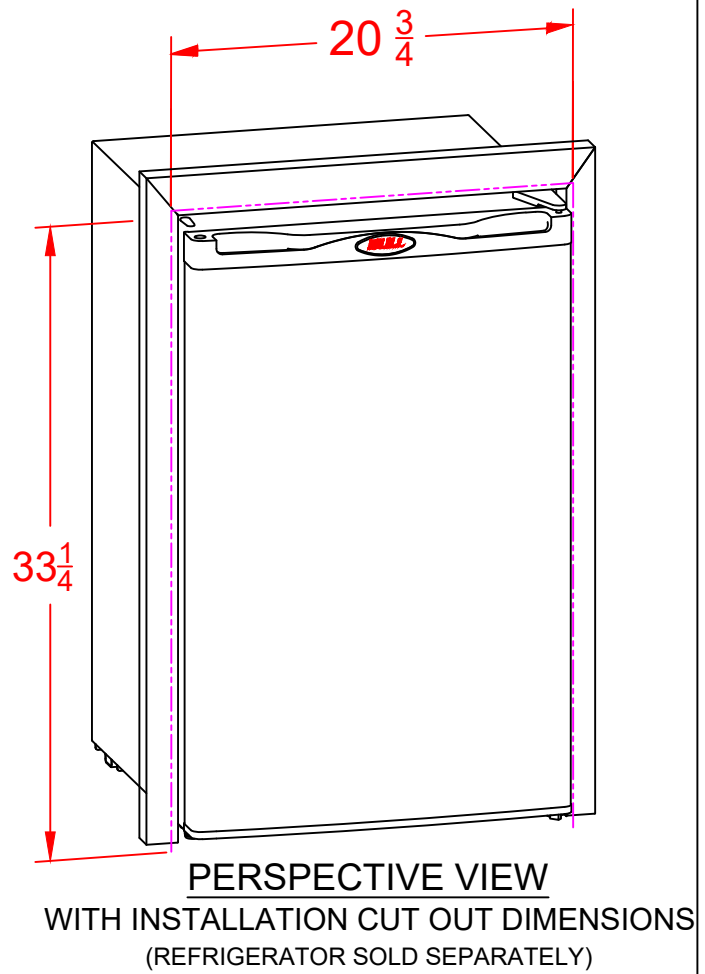
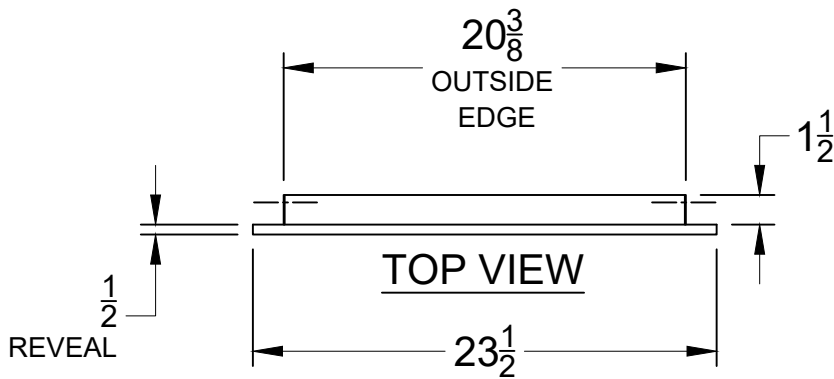




WWW.BULLBBQ.COM

**STANDARD REFRIGERATOR
FINISHING FRAME WITH REVEAL
SPEC SHEET
ITEM# 99940**



NOTES:

- 1) ALL DIMENSIONS ARE IN INCH UNITS
- 2) REFER TO PERSPECTIVE VIEW FOR INSTALLATION CUTOUT DIMENSIONS.