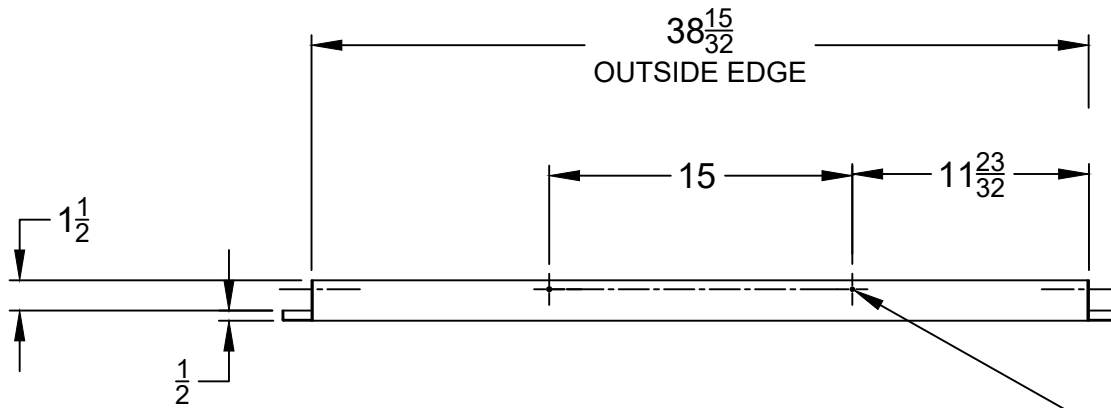
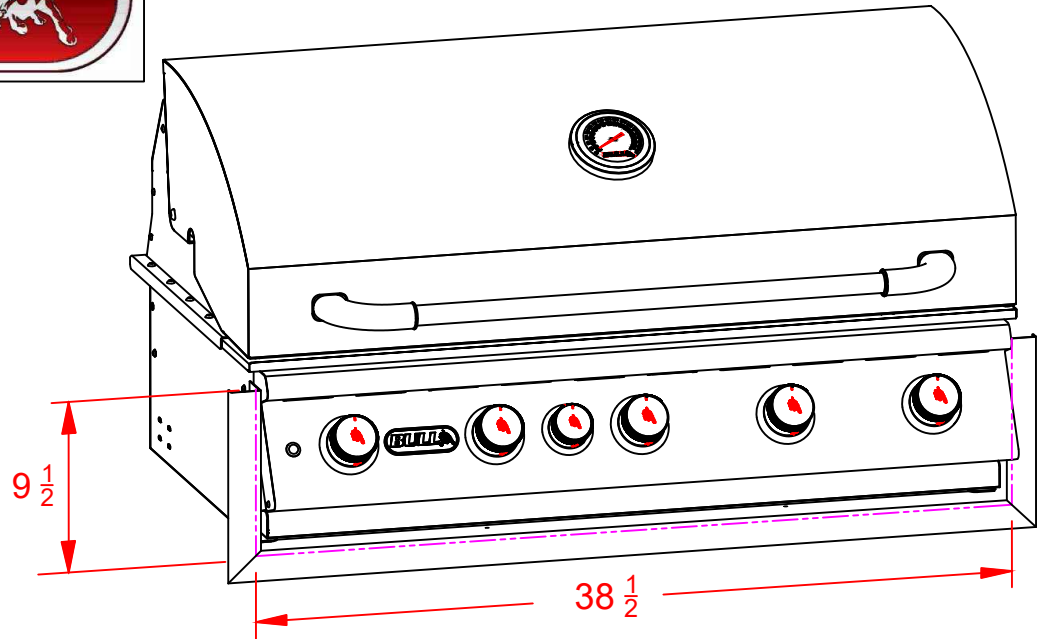




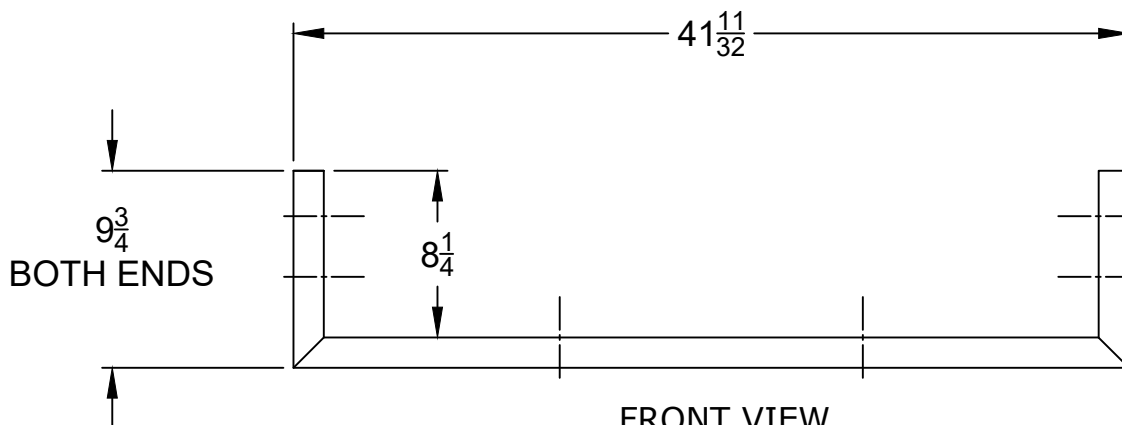
WWW.BULLBBQ.COM

**FINISHING FRAME  
WITH REVEAL FOR  
38 INCH GRILLS  
SPEC SHEET  
ITEM #58730**

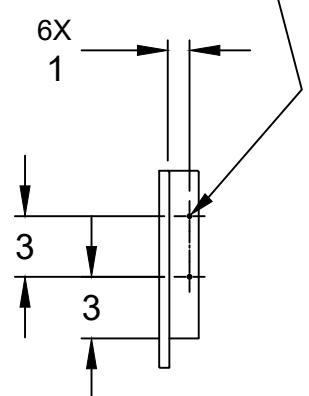


TOP VIEW

6X  $\varnothing \frac{3}{16}$   
MOUNTING HOLES



FRONT VIEW



SIDE VIEW

MOUNTING HOLES DIMENSIONS  
APPLY TO BOTH SIDES OF FRAME

NOTES:

- 1) ALL DIMENSIONS ARE IN INCH UNITS
- 2) REFER TO PERSPECTIVE VIEW FOR INSTALLATION CUTOUT DIMENSIONS.