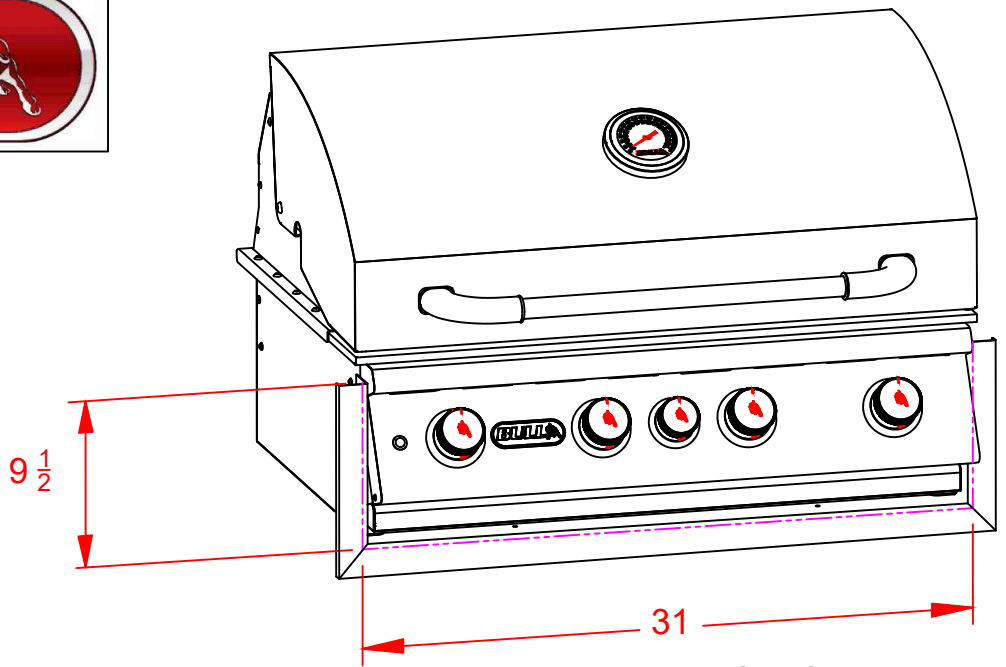


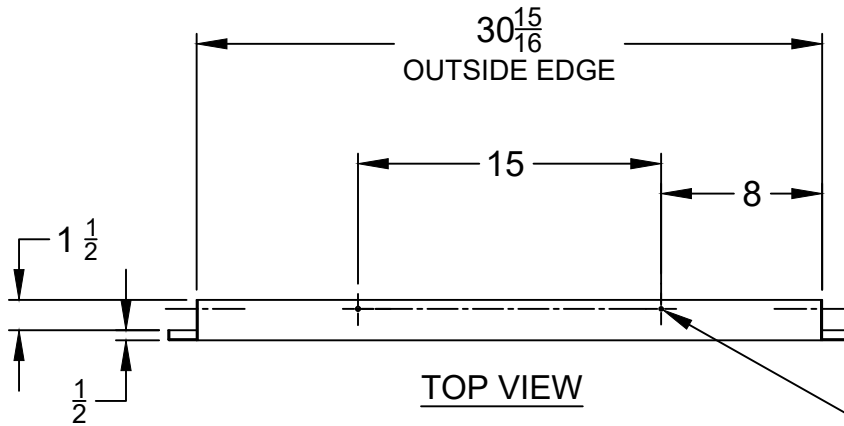


WWW.BULLBBQ.COM

**FINISHING FRAME  
WITH REVEAL FOR  
30 INCH GRILLS  
SPEC SHEET  
ITEM #49330**

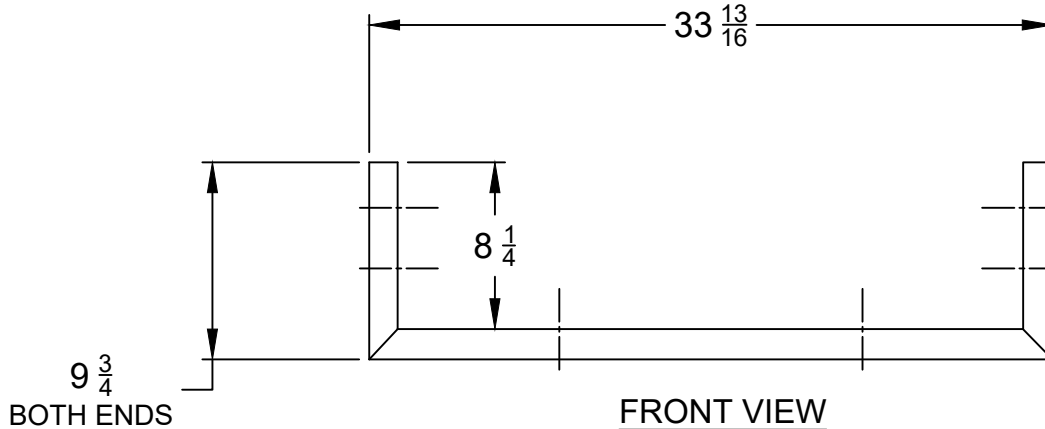


**PERSPECTIVE VIEW  
WITH INSTALLATION  
CUT OUT DIMENSIONS  
(GRILL SOLD SEPARATELY)**

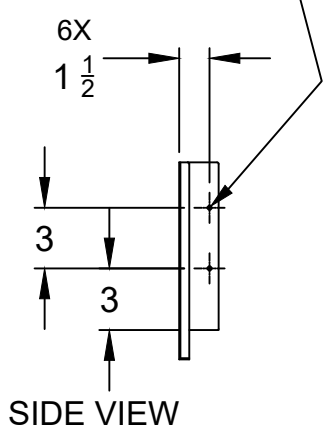


**TOP VIEW**

6X  $\varnothing \frac{3}{16}$   
MOUNTING HOLES



**FRONT VIEW**



**SIDE VIEW**

MOUNTING HOLE DIMENSIONS  
APPLY TO BOTH SIDES OF FRAME

**NOTES:**

- 1) ALL DIMENSIONS ARE IN INCH UNITS
- 2) REFER TO PERSPECTIVE VIEW FOR INSTALLATION CUTOUT DIMENSIONS.