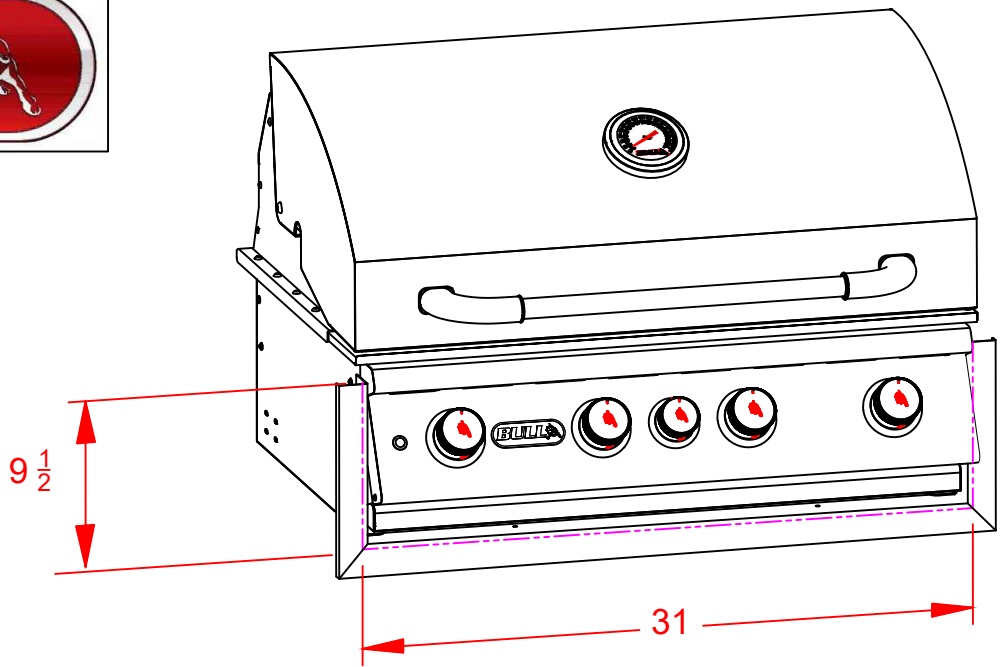




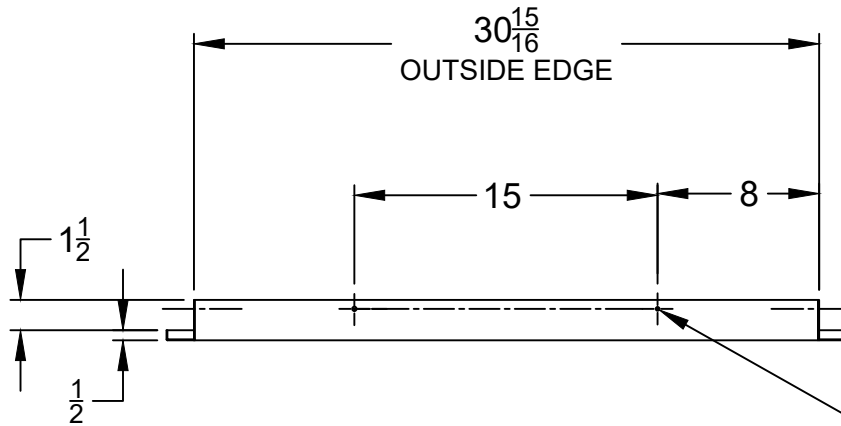
WWW.BULLBBQ.COM

**FINISHING FRAME
WITH REVEAL FOR
30 INCH GRILLS
SPEC SHEET
ITEM #49330**

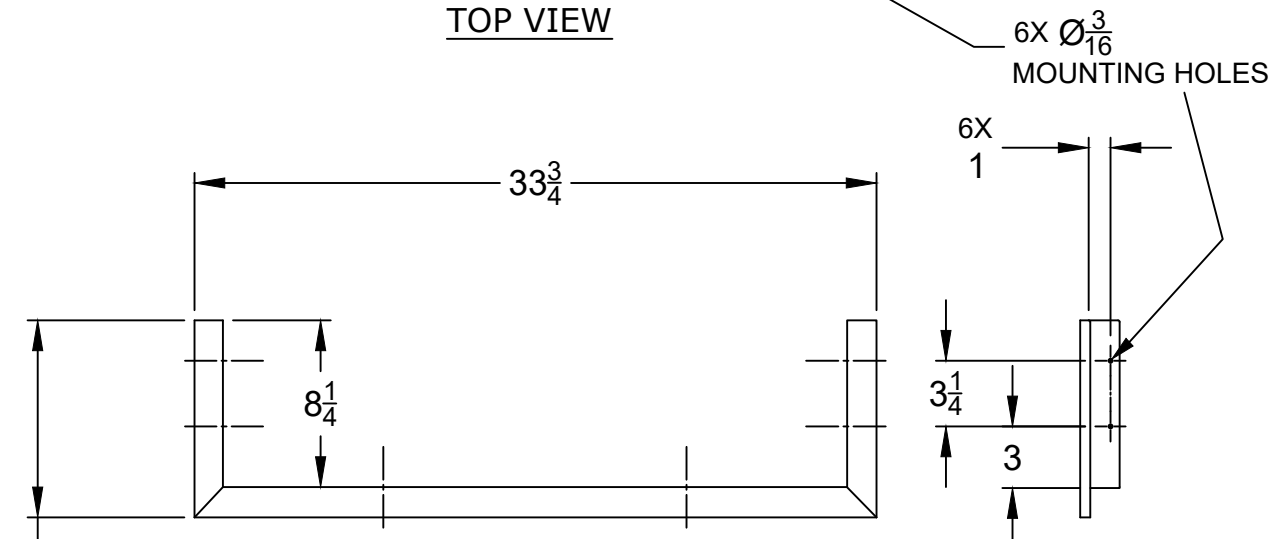


PERSPECTIVE VIEW

WITH INSTALLATION
CUT OUT DIMENSIONS
(GRILL SOLD SEPARATELY)



TOP VIEW



FRONT VIEW

SIDE VIEW

MOUNTING HOLE DIMENSIONS
APPLY TO BOTH SIDES OF FRAME

NOTES:

- 1) ALL DIMENSIONS ARE IN INCH UNITS
- 2) REFER TO PERSPECTIVE VIEW FOR INSTALLATION CUTOUT DIMENSIONS.