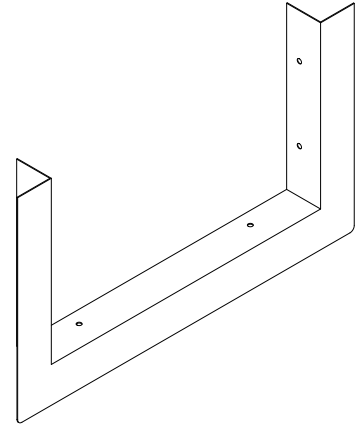
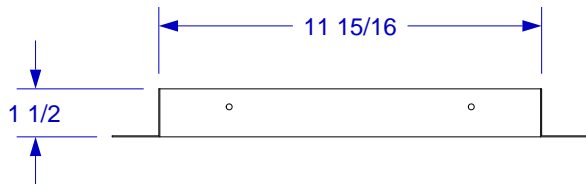




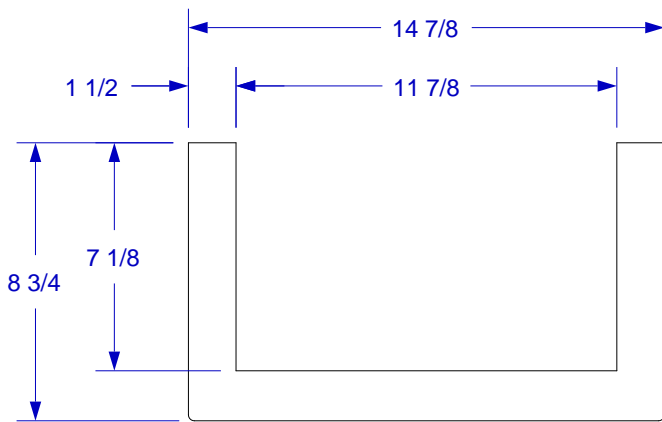
SPEC SHEET
ITEM# 93007
FINISHING FRAME FOR
SLIDE-IN DOUBLE SIDEBURNER
& SEARING STATION FINISHING



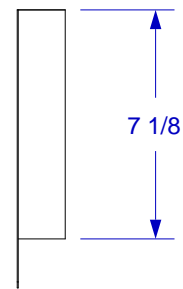
ISOMETRIC VIEW



TOP VIEW



FRONT VIEW



RIGHT SIDE VIEW

NOTES:

1. ALL DIMENSIONS ARE INCHES
2. INSTALLATION CUTOUT DIMENSIONS ARE 12 1/8 WIDE X 7 5/8 LONG X 2 DEEP