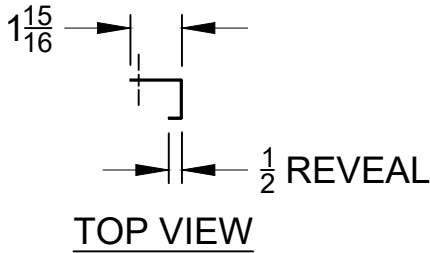


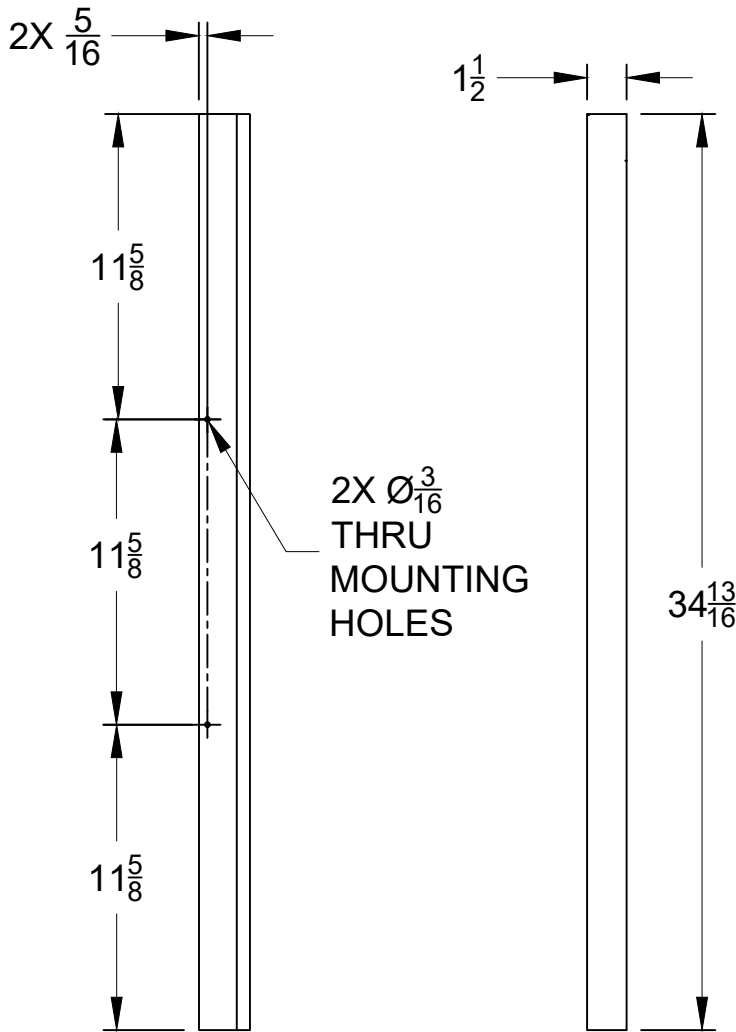


WWW.BULLBBQ.COM

APPLIANCE FINISHING TRIM
LEFT AND RIGHT SIDE
WITH REVEAL
SPEC SHEET
ITEM# 17940

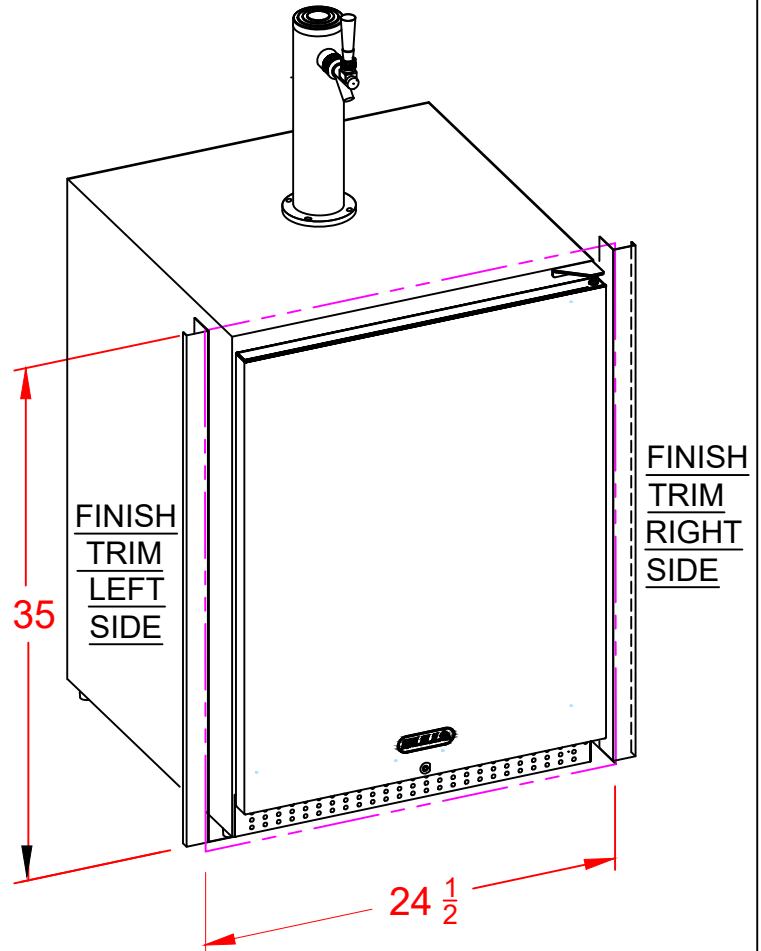


TOP VIEW

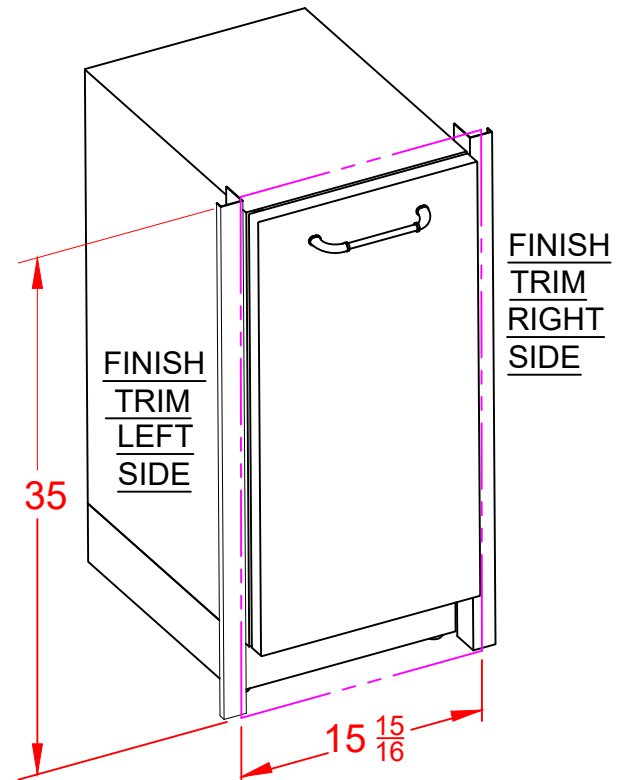


LEFT SIDE VIEW

FRONT VIEW



PERSPECTIVE VIEW
SHOWING INSTALLATION
CUT-OUT DIMENSIONS
(BULL KEGERATOR OR ICE MAKER
SOLD SEPARATELY)



NOTES:

- 1) ALL DIMENSIONS ARE IN INCH UNITS
- 2) REFER TO PERSPECTIVE VIEW FOR INSTALLATION CUTOUT DIMENSIONS.