

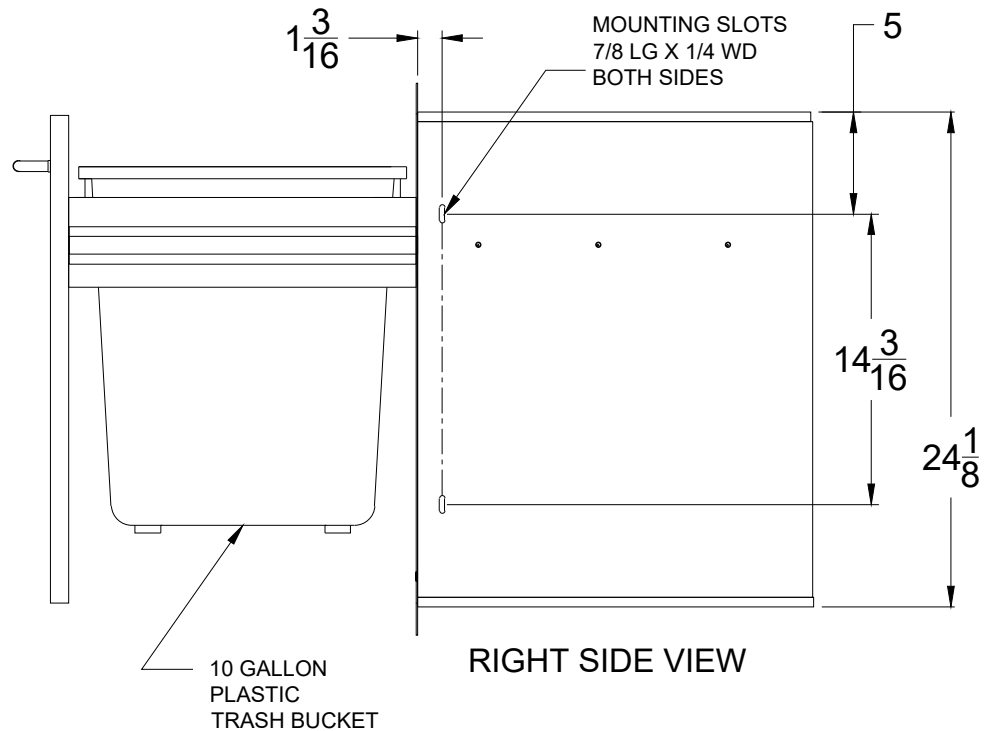
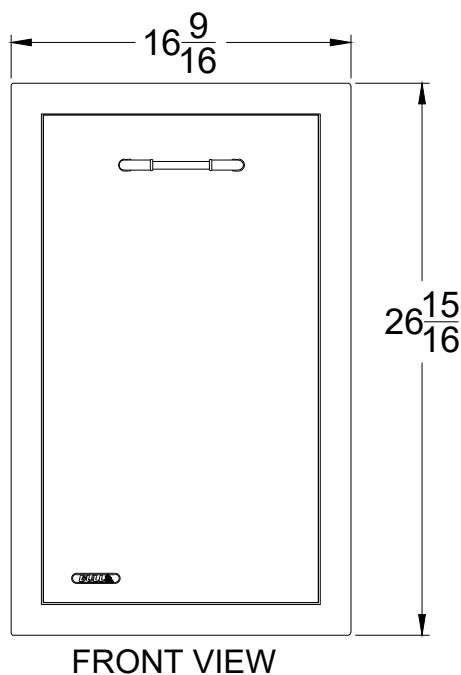
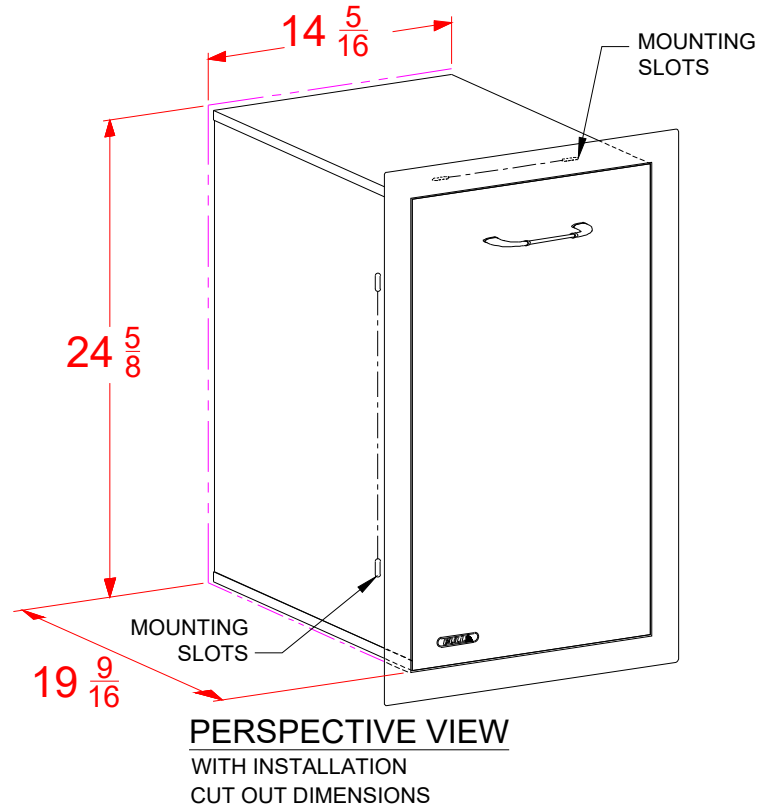
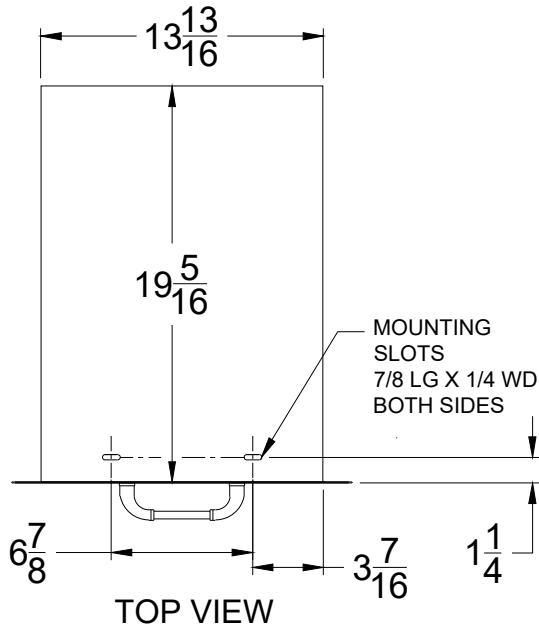


WWW.BULLBBQ.COM

# SPEC SHEET

## ITEM #56941

### SLIM 10 GALLON TRASH DRAWER



#### NOTES:

- 1) ALL DIMENSIONS ARE IN INCH UNITS.
- 2) REFER TO PERSPECTIVE VIEW FOR INSTALLATION CUTOUT DIMENSIONS.
- 3) REFER TO PAGES 2 - 4 FOR WARRANTY POLICY.