

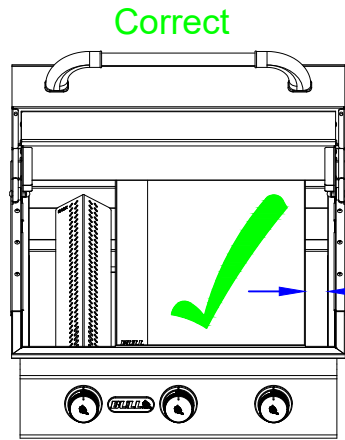


WWW.BULLBBQ.COM

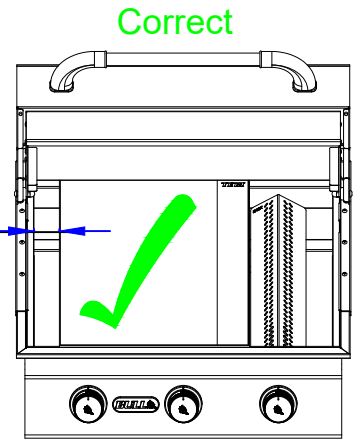
# INSTRUCTION SHEET

## ITEM# 97020

### REMOVABLE GRIDDLE



Steer Grill Head with griddle grease tray on left



Steer Grill Head with griddle grease tray on right

**Note:**

There is always a minimum opening from the griddle sides to grill side of 1-3/4".

### Installing Removable Griddle:

Remove all grill grates

Center thick part of the removable griddle over 2 burners

Remove warming rack (Optional)

### Notes:

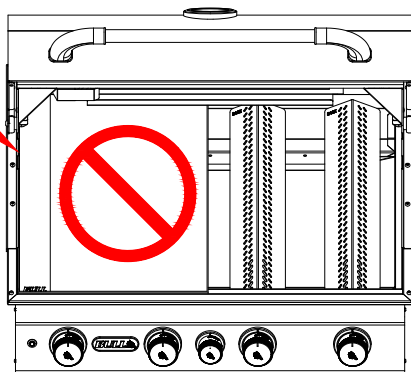
1. Grill grates should not be used next to drop-in griddle do to excessive heat displacement.

2. Griddle should not be placed flush against and side of grills as shown. (This allows heat to escape without damaging the sides of the grill by trapping excessive heat.)

3. Leave a minimum gap from the sides of 1-3/4" to allow the heat to escape.

**Note:**  
No opening to let out excessive heat.

Angus Grill Head

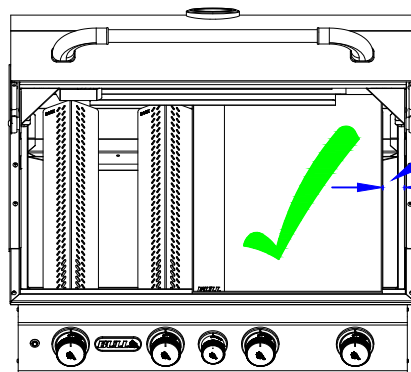


Wrong

**Note:**

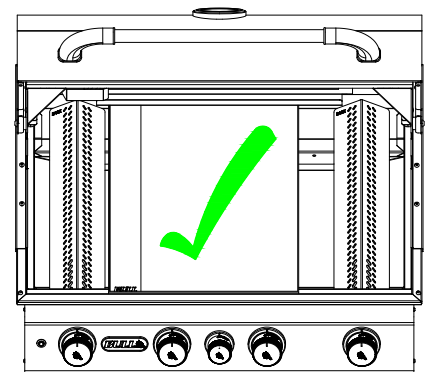
The griddle grease tray is on the left and the minimum clearance 1-3/4" is shown to allow excessive heat to escape.

Angus Grill Head



Correct

Angus Grill Head



Correct