

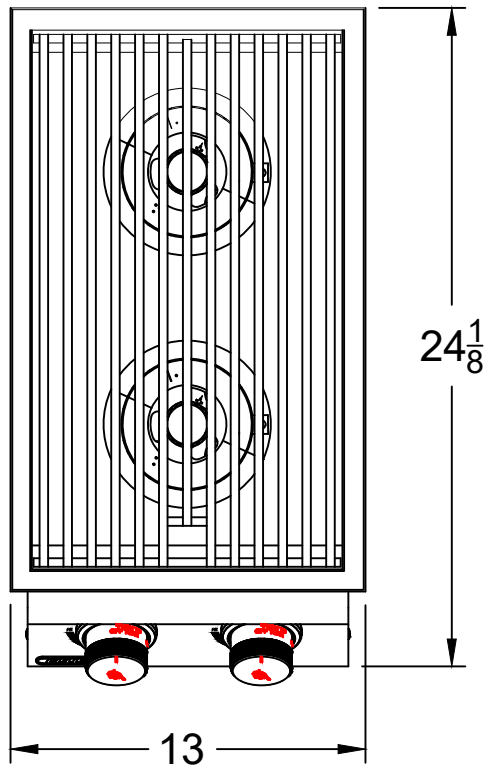


WWW.BULLBBQ.COM

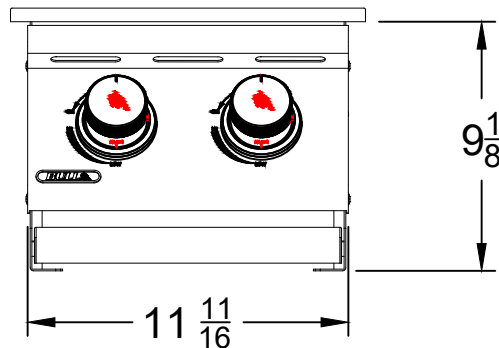
**SLIDE-IN DOUBLE
SIDE BURNER
SPEC SHEET**

SKU# 30008 LP (LIQUID PROPANE)

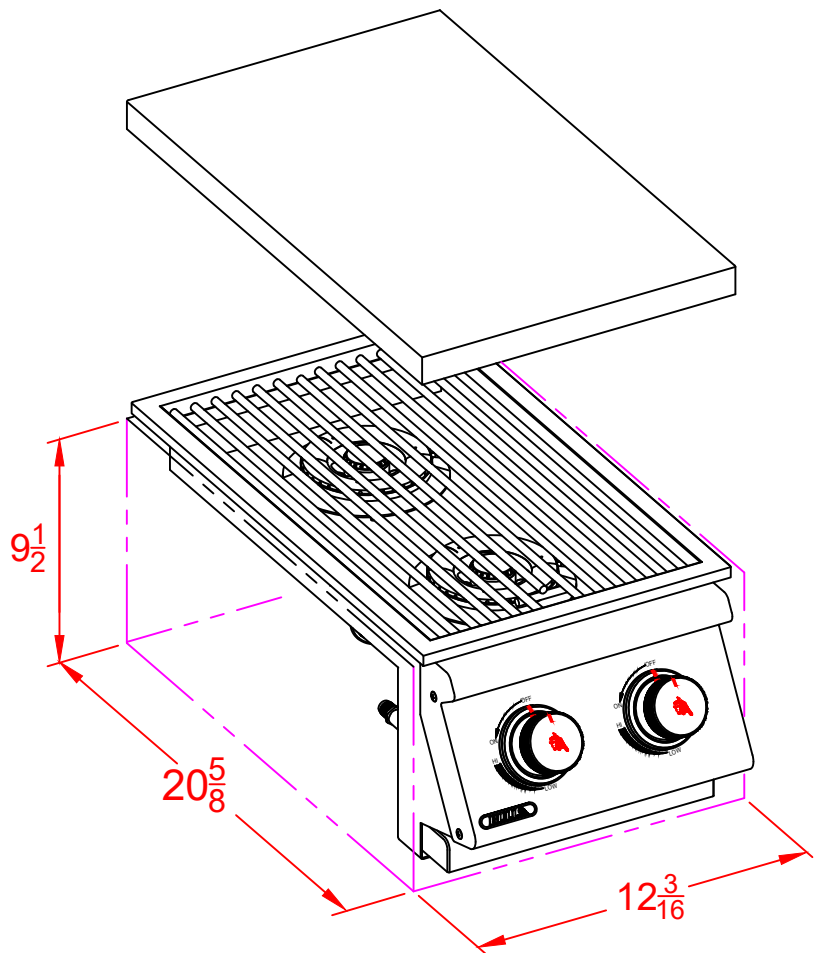
SKU# 30009 NG (NATURAL GAS)



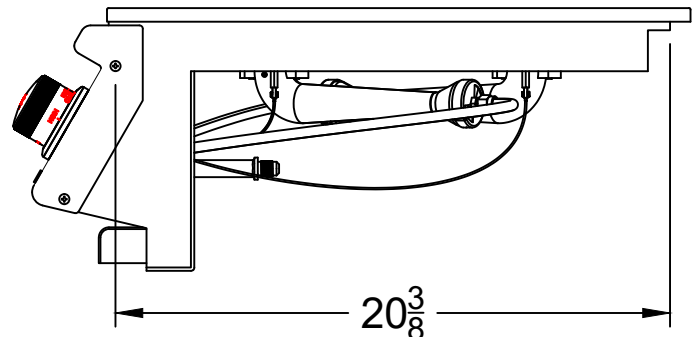
TOP VIEW



FRONT VIEW



**PERSPECTIVE VIEW
WITH INSTALLATION
CUT OUT DIMENSIONS**



RIGHT SIDE VIEW

NOTES:

- 1) ALL DIMENSIONS ARE IN INCH UNITS
- 2) REFER TO PERSPECTIVE VIEW FOR INSTALLATION CUTOUT DIMENSIONS.
- 3) FINISHING FRAME CAN BE OBTAINED FROM BULL, REFER TO SKU# 93008