



SLIDE-IN PRO SIDE BURNER OWNER'S MANUAL

SKU 60018 LIQUID PROPANE (LP)

SKU 60019 NATURAL GAS (NG)



DANGER

If you smell gas:

- Shut off gas to the appliance.
- Extinguish any open flame.
- Open lid.
- If odor continues, keep away from the appliance and immediately call your gas supplier or your fire department.

WARNING

- Do not store or use gasoline or other flammable liquids or vapors in the vicinity of this or any other appliance.
- An LP cylinder not connected for use shall not be stored in the vicinity of this or any other appliance.



USA EDITION





PLEASE READ THE ENTIRE OWNERS MANUAL CAREFULLY AND RETAIN FOR FUTURE REFERENCE

We care about your safety, so please

- BE SURE YOUR SIDE BURNER IS PROPERLY INSTALLED ASSEMBLED AND CARED FOR. FAILURE TO FOLLOW INSTRUCTIONS IN THIS MANUAL MAY RESULT IN SERIOUS BODILY INJURY AND/OR PROPERTY DAMAGE. IF YOU HAVE QUESTIONS CONCERNING ASSEMBLY OR OPERATION, CONSULT YOUR DEALER OR APPLIANCE SERVICE REPRESENTATIVE FOR ASSISTANCE.
- NOTE TO ASSEMBLER, PLEASE RETURN THIS MANUAL TO CONSUMER AFTER INSTALLATION.
- NOTE TO CONSUMER, RETAIN THIS MANUAL FOR FUTURE REFERENCE.
- THIS SIDE BURNER IS NOT INTENDED FOR USE IN OR ON RECREATIONAL VEHICLES AND OR BOATS.
- THIS SIDE BURNER IS NOT INTENDED FOR INSTALLATION OR USE WITH A GRILL CART.

TABLE OF CONTENTS	PAGE # 2
HOW TO REGISTER YOUR SIDEBURNER _____	3
HOW TO ORDER REPLACEMENT PARTS _____	3
REPLACEMENT PARTS LIST WITH ILLUSTRATION _____	4
 <u>OPERATIONAL SAFETY</u>	
SAFETY INSTRUCTIONS, CHECKING FOR GAS LEAKS _____	5
LIQUID PROPANE SAFETY GUIDELINES _____	6-8
NATURAL GAS SAFETY GUIDELINES _____	8
 <u>SIDE BURNER INSTALLATION AND VENTILATION REQUIREMENTS</u>	
STRUCTURE / ENCLOSURE VENTING _____	9
OVERHEAD VENTILATION _____	10
GUIDELINES FOR INSTALLING SIDEBURNER INTO AN OUTDOOR KITCHEN _____	11
LIQUID PROPANE GAS CONNECTION _____	11
LIQUID PROPANE TANK RETENTION _____	12
NATURAL GAS CONNECTION _____	13
 <u>OPERATING INSTRUCTIONS</u>	
FIRST USE OR NEW SEASON GUIDELINES _____	14-15
STANDARD AND MANUAL LIGHTING PROCEDURES _____	15
COOKING GUIDELINES _____	15
 <u>INSPECTION AND MAINTENANCE</u>	
BURNER REMOVAL, INSPECTING AND PORT CLEANING _____	16
CLEANING _____	16
MAINTENANCE _____	17
 <u>TROUBLESHOOTING</u>	
YELLOW FLAME AND FLASHBACK _____	18
 LIMITED WARRANTY POLICY _____	 19-21

V2024.08.15

 **WARNING:** THIS PRODUCT CAN EXPOSE YOU TO CHEMICALS INCLUDING CARBON MONOXIDE,  WHICH IS KNOWN TO THE STATE OF CALIFORNIA TO CAUSE BIRTH DEFECTS OR OTHER REPRODUCTIVE HARM. FOR MORE INFORMATION VISIT www.P65Warnings.ca.gov

WARNING: Fuels used in gas or oil-fired appliances and the products of combustion of such fuels, contain chemicals known to the State of California to cause cancer, birth defects and/or reproductive harm. This warning is issued pursuant to California Health & Safety Code Sec. 25249.6.



REGISTERING YOUR SLIDE-IN PRO SIDE BURNER

To validate your Bull Limited Warranty, you must submit the completed the Warranty Registration Card within 90 days from the date of purchase. Registration can be completed on-line at <https://bullbbq.com/register> or by sending the completed Warranty Registration Card and copy of your Purchase Receipt or Invoice as proof of purchase to:

BULL OUTDOOR PRODUCTS, INC.
1011 East Pine St. Lodi, CA 95240
Attn: Warranty Service Center

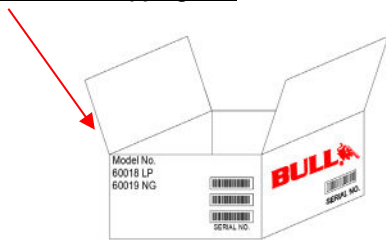
For Warranty Claims or Replacement Parts ordering, please fill out the area provided below:

PRODUCT INFORMATION REFERENCE CARD

- 1) Model Number _____
- 2) Serial Number _____
(The Serial Number is encoded with essential information for ordering replacement parts or submitting Warranty claims. Location of Serial Numbers is shown below)
- 3) Date of Purchase _____
- 4) Copy of your Purchase Receipt or Invoice.

Your Side Burner Model Number and Serial Number are shown in the following locations:

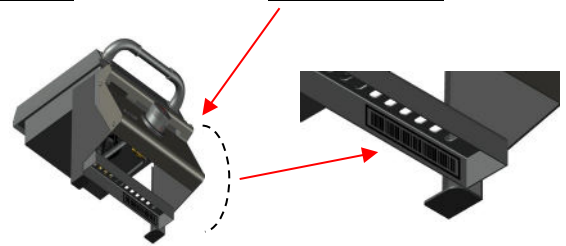
Sides of the Shipping Box



Under side of Lid



Bottom of Frame



HOW TO ORDER REPLACEMENT PARTS

This is where your Product Information Reference Card will come in handy for supplying necessary info needed by your Bull Authorized Dealer to assure you get the correct part(s) for your Side Burner Rotisserie or additional accessories to keep your Side Burner in top working condition. If you don't have the card you can still get the Side Burner model number and type of gas hook up used as stated on your Side Burner's data sticker which is located on the right side of the grease tray drawer or on the inside of the left side panel as shown in your owner manual. That information is required for parts orders.

Please refer to your owner's manual parts list and illustration to identify what you need.

To Order Replacement Parts on-line go to: <https://www.bullbbq.com/buy-parts>

Ordering Parts by phone: We are ready to help with two regional suppliers open 8:00 am to 5:00 pm Monday through Friday.

For West Region,
please call
(800) 258-6810



For East Region,
please call
(800) 229-3056

REGARDING CONVERTING YOUR SIDE BURNER FROM LIQUID PROPANE TO NATURAL GAS OR VICE-VERSA.

WARNING: Gas valves are preset at the factory to operate on LP or natural gas. If you wish to convert to a different gas type, be sure to contact your dealer, licensed plumber or authorized service center for further details. Conversion kits are not sold to the general public and require a professional to perform service. Failure to properly convert a unit can cause serious injury to yourself and/or others, irreparable damage to your and void of warranty.

WARNING: USE OF ANY PART THAT IS NOT FACTORY AUTHORIZED WILL VOID YOUR WARRANTY AND MAY BE DANGEROUS.

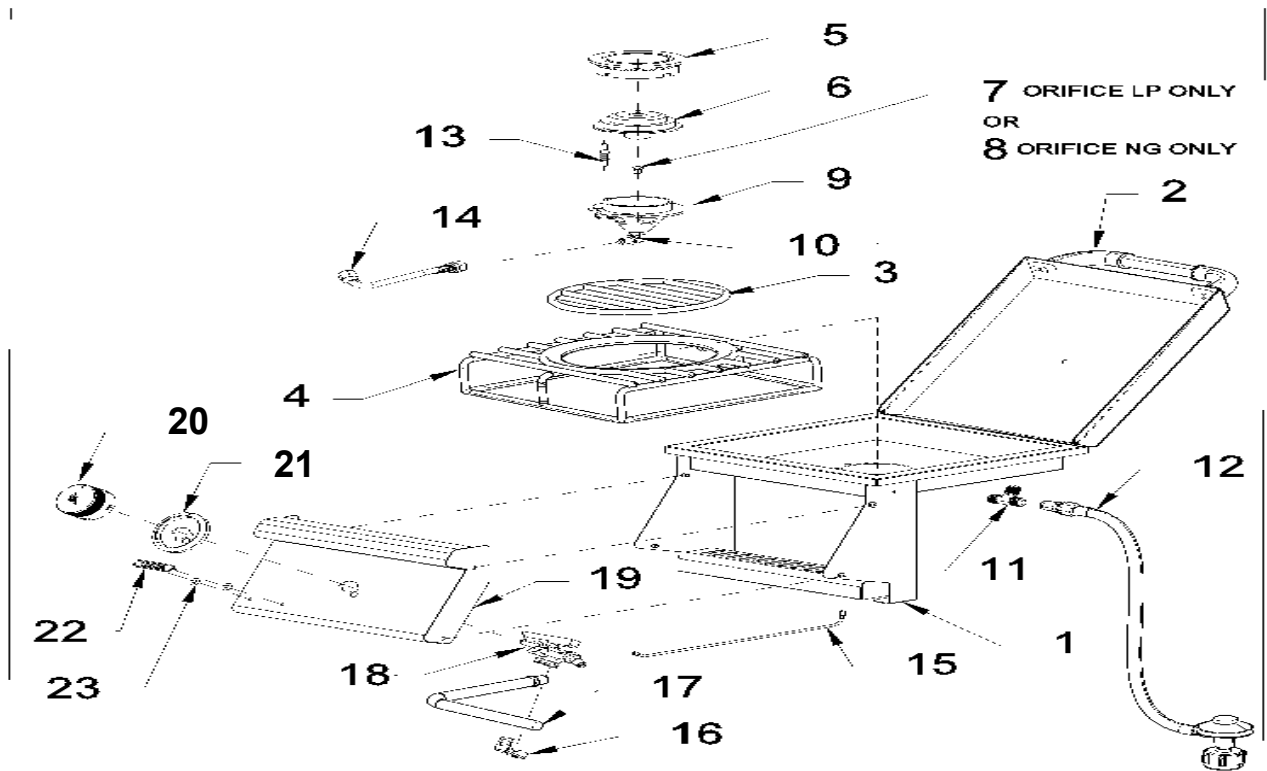


SLIDE-IN PRO SIDE BURNER REPLACEMENT PARTS LIST AND ILLUSTRATION

SKU # 60018 LP (LIQUID PROPANE) & # 60019 NG (NATURAL GAS)

DWG REF #	BULL PART #	DESCRIPTION	QTY	WARRANTY PERIOD (SHOWN IN YEARS)
1	60023	PRO BURNER BODY ASSEMBLY	1	1
2	60024	PRO BURNER GRATE COVER	1	1
3	60031	PRO BURNER INNER GRATE	1	1
4	60025	PRO BURNER OUTER GRATE	1	1
5	60026	BURNER TOP	1	1
6	60027	BURNER BASE 'A'	1	3
7	60028	ORIFICE LP ONLY (1.5" DIAMETER)	1	1
8	60029	ORIFICE NG ONLY (2.35" DIAMETER)	1	1
9	60030	BURNER BASE 'B'	1	1
10	96114	RIGHT ANGLE FITTING	1	1
11	16510	'T' FITTING	1	1
12	16544	LP HOSE (LP TANK TO 'T' FITTING) 49.2" LG	1	1
13	60032	IGNITER	1	1
14	95011	SST HOSE ('T' FITTING TO BURNER) .35" DIA X 7.8" LG	1	1
15	96109	IGNITER WIRE 16.5" LG	1	1
16	60022	VALVE CLIP	1	1
17	60021	MANIFOLD	1	1
18	16526	BURNER VALVE (LP OR NG)	1	1
19	60020	CONTROL PANEL	1	1
20	16613	KNOB, BURNER CONTROL	1	1
21	16629	BEZEL, 'BURNER CONTROL KNOB	1	1
22	16571	LOGO PLATE, CONTROL PANEL	1	1
23	16400	LOGO PLATE CLIP	2	1

- INSPECT YOUR SIDE BURNER FOR ANY DAMAGE AND CONTACT OUR SERVICE CENTER OR LOCAL DEALER FOR REPLACEMENT OF ANY DAMAGED PARTS. IF DAMAGED DO NOT ATTEMPT INSTALLATION.



WARNING: USE OF ANY PART THAT IS NOT FACTORY AUTHORIZED WILL VOID YOUR WARRANTY AND MAY BE DANGEROUS.



SIDE BURNER OPERATIONAL SAFETY

WARNING! FOR YOUR SAFETY, FOLLOW THE GUIDELINES BELOW:



YOUR GAS SIDE BURNER IS ONLY FOR OUTDOOR USE.



PROTECT CHILDREN FROM SIDE BURNER:

- DO NOT ALLOW CHILDREN TO OPERATE SIDE BURNER.
- KEEP CHILDREN AWAY FROM SIDE BURNER DURING USE AND AFTERWARD UNTIL YOU KNOW IT HAS COOLED COMPLETELY.

WARNING: DO NOT USE UNDER EXTENDED AWNINGS, GARAGES, PORCHES, BREEZEWAYS, SHEDS OR OTHER ENCLOSED AREAS. FAILURE TO DO SO COULD RESULT IN A FIRE OR PERSONAL INJURY.

- 1) THIS SIDE BURNER IS NOT INTENDED FOR USE IN OR ON RECREATIONAL VEHICLES AND/OR BOATS.
- 2) DO NOT PLACE SIDE BURNER UNDER OR ON TOP OF ANY SURFACE THAT WILL BURN.
- 3) DO NOT ALLOW OBSTRUCTION OR RESTRICTION TO THE FLOW OF COMBUSTION AND VENTILATION AIR AROUND THE SIDE BURNER HOUSING.
- 4) SIDE BURNER CLEARANCE FROM THE BACK AND SIDE OF ANY COMBUSTIBLE SURFACE MUST BE AT LEAST 21 INCHES, DO NOT STORE OR USE GASOLINE, OR OTHER LIQUIDS EMITTING FLAMMABLE VAPOURS IN THE VICINITY OF SIDE BURNER OR ANY OTHER APPLIANCES.
- 5) DO NOT STORE EMPTY OR FULL SPARE LP GAS CYLINDERS AND/OR CHEMICALS UNDER OR NEAR SIDE BURNER OR ANY OTHER APPLIANCES.
- 6) KEEP THE FUEL HOSE AND ELECTRICAL CORDS AWAY FROM HOT SURFACES AND DRIPPING GREASE.
- 7) CHECK AND CLEAN BURNER TOP, BURNER BASE 'A' AND 'B' AND ORIFICES FOR INSECTS AND DEBRIS. A CLOGGED TUBE CAN LEAD TO A FIRE BENEATH THE SIDE BURNER. SEE PAGE 4 FOR LOCATION OF THESE PARTS.
- 8) KEEP THE VENT OPENINGS OF THE CYLINDER ENCLOSURE FREE AND CLEAR FROM DEBRIS.
- 9) CLEAN OUTDOOR COOKING GAS APPLIANCE WITH RECOMMENDED CLEANING AGENTS.
- 10) AVOID UNNECESSARY TWISTING OF THE LP HOSE. VISUALLY INSPECT THE LP HOSE PRIOR TO EACH USE FOR CUTS, CRACKS, EXCESSIVE WEAR OR OTHER DAMAGE AND REPLACE IF NECESSARY. THE REPLACEMENT HOSE SHOULD BE THAT SPECIFIED BY THE MANUFACTURER
- 11) ALWAYS REMOVE GRATE COVER BEFORE LIGHTING SIDE BURNER. DO NOT COVER BURNER WITH GRATE COVER UNTIL SIDE BURNER HAS COMPLETELY COOLED
- 12) NEVER LEAN OVER COOKING SURFACE WHILE LIGHTING SIDE BURNER.
- 13) WEAR INSULATED OVEN MITTS AND USE BARBECUE TOOLS WITH WOOD HANDLES WHILE PLACING ITEMS ON SIDE BURNER.
- 14) NEVER PLACE OBJECTS OR UTENSILS ON TOP OF SIDE BURNER.
- 15) ALWAYS OPEN SUPPLIED GRATE COVER BEFORE USE. NEVER USE GRATE COVER AS A COOKING SURFACE.

CHECKING FOR GAS LEAKS **NEVER TEST FOR GAS LEAKS WHILE THE BURNER IS LIT!**



DANGER! IF YOU SMELL GAS, FOLLOW THE GUIDELINES BELOW:

- 1) VISUALLY CHECK BURNER FLAME STATUS, AND PILOT BURNER FLAME IF PROVIDED.
- 2) NEVER TEST FOR GAS LEAKS WITH A LIGHTED MATCH OR OPEN FLAME.
- 3) SHUT OFF GAS SOURCE TO THE APPLIANCE.
- 4) EXTINGUISH ANY OPEN FLAME.

IT IS A MUST THAT YOU USE THE STEPS BELOW TO CHECK FOR LEAKS ON LP GAS BURNERS PRIOR TO FIRST USE, START OF A NEW BBQ SEASON AND WHENEVER THE GAS CYLINDER IS CHANGED ON LP GAS APPLIANCES.

- 1) TURN OFF HEAT CONTROL VALVE(S), AND THEN TURN ON GAS AT SOURCE.
- 2) MAKE A SOAP SOLUTION BY MIXING ONE-PART LIQUID DETERGENT AND ONE-PART WATER.
- 3) APPLY THE SOAP SOLUTION TO ALL GAS CONNECTIONS: BUBBLES WILL APPEAR IN THE SOAP SOLUTION IF CONNECTIONS ARE NOT PROPERLY SEALED. TIGHTEN CONNECTION FITTINGS OR REPLACE IF NEEDED.
- 4) IF YOU HAVE A GAS LEAK THAT YOU CANNOT REPAIR, TURN OFF THE GAS AT THE SOURCE, DISCONNECT THE FUEL LINE FROM THE SIDE BURNER AND IMMEDIATELY CALL YOUR BULL DEALER AND GAS SUPPLIER FOR PROFESSIONAL ASSISTANCE.



IF GAS ODOR PERSISTS, IMMEDIATELY CONTACT YOUR GAS SUPPLIER OR YOUR FIRE DEPARTMENT.



<p>SAFETY INSTRUCTIONS BEWARE OF CLOGGED BURNERS DUE TO SPIDER WEBS CAUTION: BURNERS MUST BE INSPECTED AND CLEANED BEFORE FIRST USE. Spiders and small insects occasionally spin webs or make nests in the burners during warehousing, transit and/or after long periods of non-use. These webs can lead to a gas flow obstruction, which could result in a fire in and around the burner venturi tubes. This type of fire is known as "FLASH-BACK" and can cause serious damage to your grill and create an unsafe operating condition for the user. Although an obstructed burner tube is not the only cause of "FLASH BACK" it is the most common cause, and frequent inspection and cleaning of the burners is necessary.</p> <p>WARNING NEVER cover grill slots, holes, or openings in the grill bottom, or cover an entire cooking grate with material such as aluminum foil. Doing so blocks air flow through the grill and may cause carbon monoxide poisoning. Aluminum foil linings may trap heat causing a fire hazard.</p>
--



! SKU 60018 LIQUID PROPANE (LP) SAFETY GUIDELINES !

YOUR PROPANE GAS SIDE BURNER IS DESIGNED TO OPERATE ON PROPANE GAS ONLY, AT A PRESSURE REGULATED AT 11" WATER COLUMN (WC.) OR 27.4 MBAR WHEN EQUIPPED WITH THE CORRECT PROPANE ORIFICES ON THE VALVES AND A PROPANE REGULATOR ON THE SUPPLY LINE.

IT IS REQUIRED THAT YOU ONLY USE AN LP GAS CYLINDER MEASURING 12 INCHES IN DIAMETER X 18 INCHES TALL WITH A MAXIMUM CAPACITY OF 20 LB. IN THE UNITED STATES, THE LP GAS CYLINDER MUST BE CONSTRUCTED AND MARKED IN ACCORDANCE WITH SPECIFICATIONS OF THE US DEPARTMENT OF TRANSPORTATION FOR PROPANE GAS CYLINDERS.

- 1) ALWAYS KEEP LP GAS CYLINDER SECURELY FASTENED IN AN UPRIGHT POSITION.
- 2) NEVER CONNECT AN UNREGULATED LP GAS CYLINDER TO THE SIDE BURNER
- 3) DO NOT SUBJECT LP GAS CYLINDERS TO EXCESSIVE HEAT.
- 4) DO NOT FILL LP GAS CYLINDER BEYOND 80% FULL.
- 5) **CAUTION:** NEVER STORE LP GAS CYLINDERS INSIDE A BUILDING, GARAGE OR IN THE VICINITY OF ANY GAS-BURNING APPLIANCE.
- 6) **WARNING:** WHEN THE OUTDOOR COOKING GAS APPLIANCE IS NOT IN USE: THE LP GAS MUST BE TURNED OFF AT THE SUPPLY CYLINDER.
- 7) DO NOT STORE SPARE LP GAS CYLINDERS UNDER OR NEAR THIS APPLIANCE.
- 8) SPARE LP GAS CYLINDERS MUST BE STORED OUTSIDE IN AN ADEQUATELY VENTILATED AREA THAT IS ISOLATED FROM THE SIDE BURNER.
- 9) SPARE LP GAS CYLINDERS MUST BE KEPT OUT OF REACH OF CHILDREN AND MUST NOT BE STORED IN A BUILDING, GARAGE OR ANY OTHER ENCLOSED AREA.
- 10) STORAGE OF AN OUTDOOR COOKING GAS APPLIANCE INDOORS IS PERMISSIBLE ONLY IF THE CYLINDER IS DISCONNECTED AND REMOVED FROM THE OUTDOOR COOKING GAS APPLIANCE
- 11) THE LP GAS CYLINDER MUST BE EQUIPPED WITH AN ARRANGEMENT FOR VAPOR WITHDRAWAL.
- 12) THE LP GAS CYLINDER MUST INCLUDE A COLLAR TO PROTECT THE CYLINDER VALVE.
- 13) PLACE DUST CAP ON CYLINDER VALVE OUTLET WHENEVER THE CYLINDER IS NOT IN USE. ONLY INSTALL THE TYPE OF DUST CAP ON THE CYLINDER VALVE OUTLET THAT IS PROVIDED WITH THE CYLINDER VALVE. OTHER TYPES OF CAPS OR PLUGS MAY RESULT IN LEAKAGE OF PROPANE.
- 14) DO NOT FILL LP GAS CYLINDER BEYOND 80% FULL. IF WARNING NOTICES 1 AND 2 ARE NOT FOLLOWED, A FIRE CAUSING SERIOUS INJURY OR DEATH MAY OCCUR
- 15) **CAUTION:** CHANGING THE GAS TANKS MUST BE DONE AWAY FROM ANY SOURCE OF IGNITION.
- 16) LP GAS TANK MUST BE MARKED IN ACCORDANCE WITH THE SPECIFICATIONS FOR LP GAS CYLINDERS, SPHERES AND TUBES FOR TRANSPORTATION OF DANGEROUS GOODS AND COMMISSION, CAN/CSA- B339, AS APPLICABLE
- 17) LP GAS TANK CONNECTION DEVICE MUST BE COMPATIBLE WITH OUTDOOR COOKING APPLIANCES.
- 18) LP GAS TANK (CYLINDER) MUST HAVE A LISTED OVERFILLING PREVENTION DEVICE. SEE ILLUSTRATION FOR INSTRUCTIONS ON PAGE 7
- 19) LP GAS TANK(CYLINDER) USES A TYPE 1 TANK VALVE THAT IS FIRMLY SECURED IN AN UPRIGHT POSITION.
- 20) DO NOT USE AN LP TANK (CYLINDER) THAT IS DAMAGED. VISUALLY INSPECT THE LP HOSE PRIOR TO EACH USE FOR CUTS, CRACKS, EXCESSIVE WEAR OR DAMAGE. IF FOUND THE HOSE ASSEMBLY SHOULD BE REPLACED.
- 21) INSPECT LP HOSE FOR PHYSICAL DAMAGE PRIOR TO EACH USE.
- 22) LP GAS PRESSURE REGULATOR AND 31" INCH HOSE ASSEMBLY (BULL PART # 16589) ARE SUPPLIED AND MUST BE USED WITHOUT ALTERATION AND SHOULD ONLY BE USED ON YOUR SIDE BURNER.



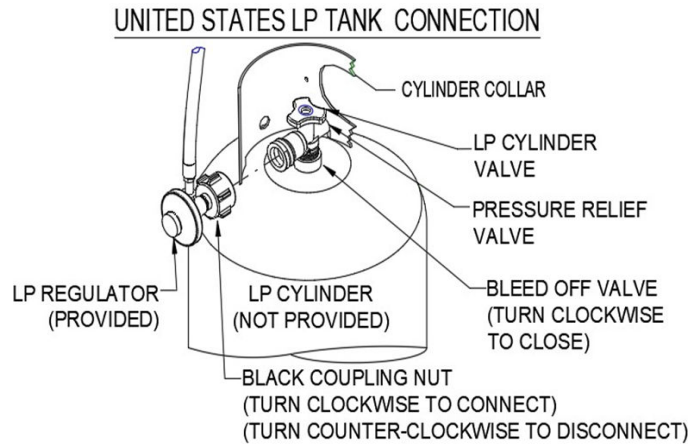
! SKU 60018 LIQUID PROPANE (LP) SAFETY GUIDELINES (CONTINUED) !

- 23) IF THE HOSE ASSEMBLY OR HOSE CLIP NEED TO BE REPLACED, USE ONLY THE BULL PART NUMBERS SHOWN IN THE PARTS LIST SUPPLIED WITH THIS UNIT.
- 24) TO CONNECT THE BLACK COUPLING, TURN NUT OF THE HOSE AND REGULATOR ASSEMBLY IN A CLOCKWISE DIRECTION (SEE ILLUSTRATION BELOW) UNTIL IT IS COMPLETELY THREADED ONTO THE CYLINDER VALVE BEFORE TURNING GAS SUPPLY ON. TO REMOVE TURN THE BLACK COUPLING NUT OF THE HOSE AND REGULATOR ASSEMBLY IN A COUNTER- CLOCKWISE DIRECTION.
- 25) **IMPORTANT:** MAKE SURE THE SIDE BURNER CONTROL KNOB IS IN THE 'OFF' POSITION BEFORE CONNECTING TO GAS SOURCE.

WARNING:

GAS VALVES ARE PRE-SET AT THE BULL FACTORY TO OPERATE ON LP GAS OR NATURAL GAS. IF YOU WISH TO CONVERT TO A DIFFERENT GAS TYPE, OTHER THAN LP OR NG, BE SURE TO CONTACT YOUR BULL DEALER, LICENSED PLUMBER OR AUTHORIZED SERVICE CENTER FOR FURTHER DETAILS. CONVERSION KITS ARE NOT SOLD TO THE GENERAL PUBLIC AND REQUIRE A PROFESSIONAL TO PERFORM SERVICE. FAILURE TO PROPERLY CONVERT A UNIT CAN CAUSE SERIOUS INJURY TO YOURSELF AND/OR OTHERS, IRREPARABLE DAMAGE TO YOUR SIDE BURNER AND VOID THE WARRANTY.

WARNING: IF THESE GUIDELINES ARE NOT FOLLOWED, FIRE CAUSING SERIOUS INJURY OR DEATH MAY OCCUR



! LIQUID PROPANE (LP) SAFETY GUIDELINES

WHEN THE OUTDOOR COOKING GAS APPLIANCE IS NOT IN USE:

- 1) The LP gas must be turned off at the supply cylinder.
- 2) Do not store spare LP gas cylinders under or near this appliance.
- 3) Spare LP gas cylinders must be stored outside in an adequately ventilated area that is isolated from the Side Burner.
- 4) Spare LP gas cylinders must be kept out of reach of children and must not be stored in a building, garage or any other enclosed area.
- 5) Storage of an outdoor cooking gas appliance indoors is permissible only if the cylinder is disconnected and removed from the outdoor cooking gas appliance
- 6) The LP gas cylinder must be equipped with an arrangement for vapor withdrawal.
- 7) The LP gas cylinder must include a collar to protect the cylinder valve.
- 8) Place dust cap on cylinder valve outlet whenever the cylinder is not in use. Only install the type of dust cap on the cylinder valve outlet that is provided with the cylinder valve. Other types of caps or plugs may result in leakage of propane.

WARNING: IF THESE GUIDELINES ARE NOT FOLLOWED, FIRE CAUSING SERIOUS INJURY OR DEATH MAY OCCUR.



LIQUID PROPANE GAS TO NATURAL GAS CONVERSION

Gas valves are pre-set at the Bull factory to operate on LP Gas or Natural Gas. If you wish to convert to a different gas type, other than LP or NG, be sure to contact your Bull dealer, licensed plumber or authorized service center for further details. Conversion kits are not sold to the public and require a professional to perform service. Failure to properly convert a unit can cause serious injury to yourself and/or others, irreparable damage to your Side Burner and void of warranty.

WARNING: IF THESE GUIDELINES ARE NOT FOLLOWED, FIRE CAUSING SERIOUS INJURY OR DEATH MAY OCCUR

! SKU 60019 NATURAL GAS (NG) SAFETY GUIDELINES

Your Natural Gas (G20) Side Burner is designed to **use natural gas ONLY**. The side burner operates at a pressure of 4" water column (wc) or 10 mbar. Prior to installing gas supply lines, check with your local gas utility or municipality regarding local gas pressure and for building code requirements and instructions or consult a licensed and knowledgeable installer.

NATURAL GAS PLUMBING GUIDELINES:

- 1) Install an "ON-OFF" shutoff valve for OUTDOOR gas supply source after gas line piping exits outside wall, or before gas piping enters ground.
- 2) Install an "ON-OFF" shutoff valve for INDOOR gas supply source to the branch fuel line in an accessible location near the supply line.
- 3) **Do not use** Teflon® tape or pipe sealant on any flare ends because you will not obtain a leak-free seal.
- 4) Use **only** Pipe sealing compound or pipe thread tape of the type resistant to the action of natural gas to at least the first three threads of all male pipe threads when making the connection.
- 5) Disconnect your gas appliances from the fuel source when the gas supply is being tested at high pressures. This appliance and its individual shutoff valve must be disconnected from the gas supply piping system during any pressure testing of that system at pressures in excess of 1/2 psig or 37 mbar.
- 6) **Turn off your gas appliances when the gas supply is being tested at low pressures. This appliance must be isolated from the gas supply piping system by closing its individual valve.**

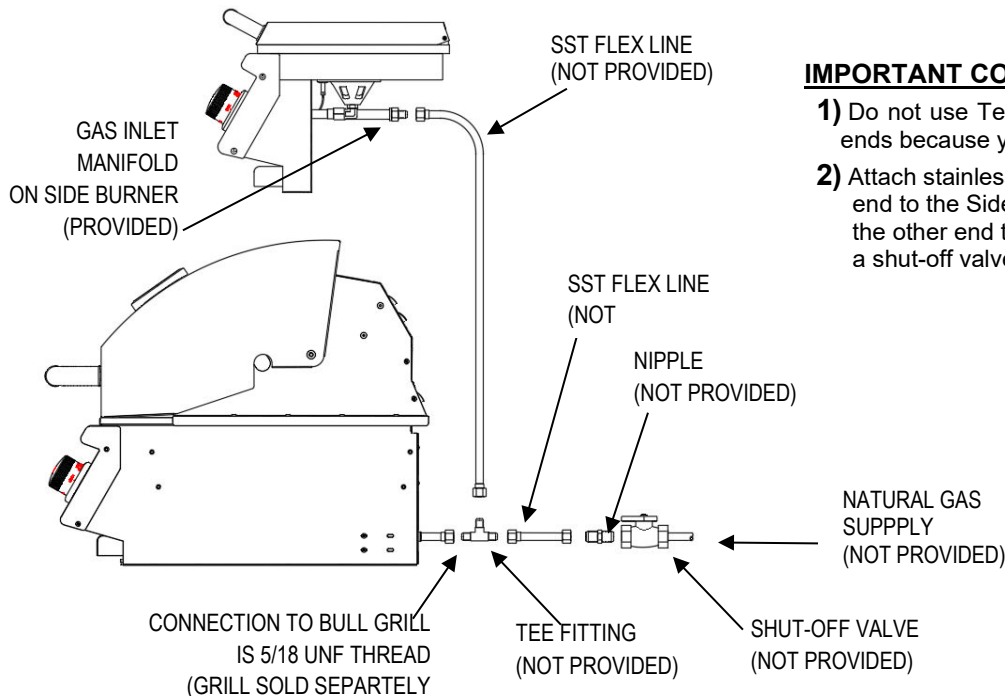
Refer to the following instructions and illustrations for typical gas supply connections.

We strongly suggest professional installation and hook-up of the Gas BBQ. All regulators must meet EN16129 standard.

IMPORTANT: Before connecting side burner to gas source, make sure the control knob is in the "OFF" position.

Be sure to follow instructions for connecting an appliance to a fixed fuel piping system specifying the use of a rigid pipe, semi-rigid tubing, and/or a connector that complies with the Standard for Connectors for Outdoor Gas Appliances and Manufactured Homes, ANSI Z21.75. For post-mounted outdoor cooking gas appliances, in-ground metallic posts shall be protected against corrosion as warranted by soil conditions. A suitable coating of corrosion protection will retard the effects of corrosion and help your Bull purchase last longer.

IMPORTANT: Bull Outdoor Products does not recommend the use of any quick connect fittings or lines to the unit. Use of these types of fittings or lines could cause low gas flow and greatly reduce the performance of the unit.



IMPORTANT CONNECTION STEPS:

- 1) Do not use Teflon tape or pipe sealant on any flare ends because you will not obtain a leak free seal.
- 2) Attach stainless steel flex line 3/8 flare female end to the Side Burner gas inlet manifold and the other end to a nipple to allow connection to a shut-off valve to the gas supply.

WARNING: IF THESE GUIDELINES ARE NOT FOLLOWED, FIRE CAUSING SERIOUS INJURY OR DEATH MAY OCCUR



SIDE BURNER INSTALLATION AND VENTILATION REQUIREMENTS **IMPORTANT!**

READ CAREFULLY BEFORE ASSEMBLY AND OPERATION OF YOUR SLIDE-IN PRO SIDEBURNER

YOUR SLIDE-IN PRO SIDE SIDEBURNER COMES TO YOU FULLY ASSEMBLED. WE STRONGLY RECOMMEND PROFESSIONAL INSTALLATION AND HOOKUP OF THE SIDEBURNER. THESE INSTRUCTIONS WILL PROVIDE YOU WITH THE MEASUREMENTS NECESSARY FOR YOU OR YOUR BUILDER TO CONSTRUCT A MASONRY STRUCTURE TO HOUSE YOUR OUTDOOR SIDEBURNER.

NOTE TO INSTALLER: LEAVE THESE INSTRUCTIONS WITH THE CONSUMER FOR FUTURE REFERENCE.

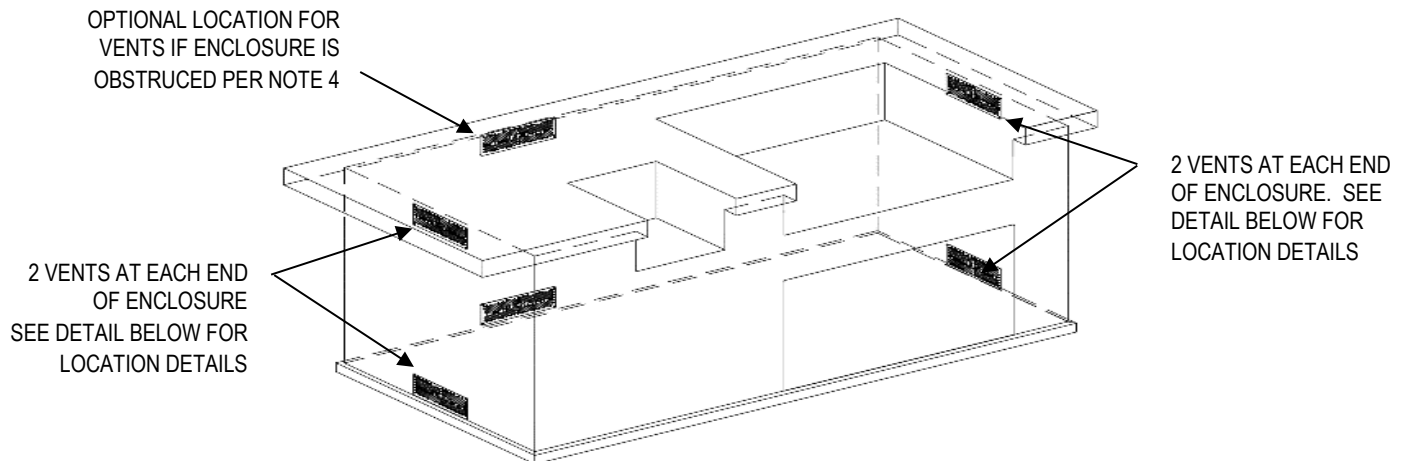
THIS SIDEBURNER MUST BE INSTALLED IN ACCORDANCE WITH ALL LOCAL BUILDING CODES. IN THE UNITED STATES YOUR GAS S MUST BE INSTALLED IN ACCORDANCE WITH LOCAL CODES OR,

PER THE LATEST EDITION OF THE **NATIONAL FIRE PREVENTION ASSOCIATION NFPA 54/ANSI (Z223.1)**

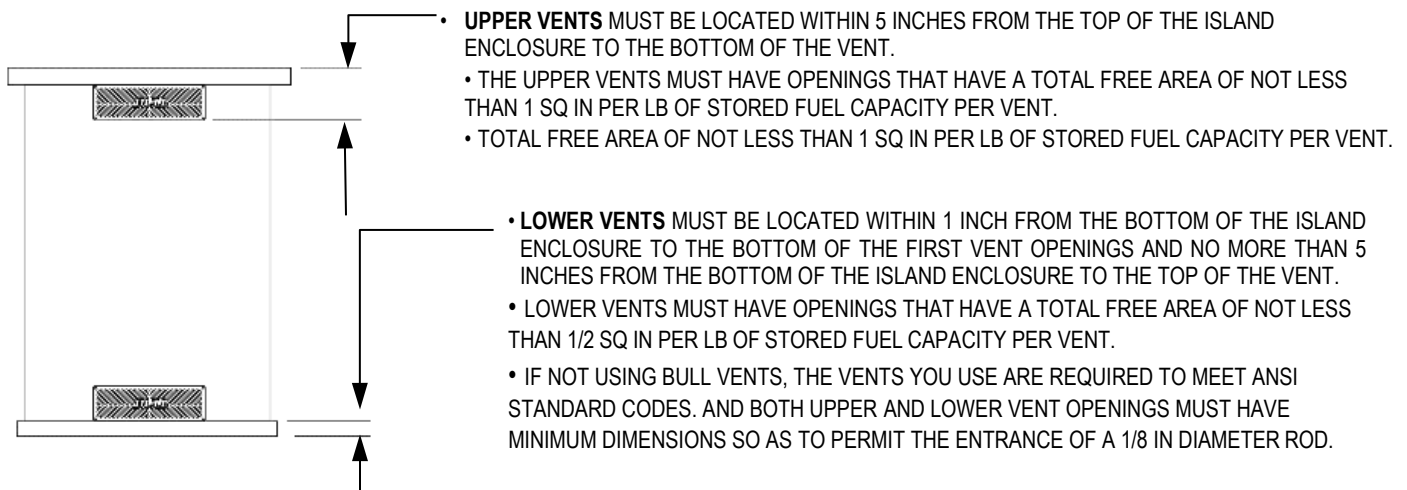
IN CANADA, YOUR GAS SIDE BURNER MUST BE INSTALLED IN ACCORDANCE WITH LOCAL CODES OR, PER THE LATEST EDITION OF THE **CANADIAN STANDARDS ASSOCIATION CODE CGA B149.2** FOR NATURAL GAS AND PROPANE INSTALLATION OF GAS BURNING APPLIANCES AND EQUIPMENT ADAPTER FROM 1/2" NPT TO BSP 21 MM & REGULATOR ARE AVAILABLE FROM BULL DEALERS AND DISTRIBUTORS.

SPECIFICATIONS FOR STRUCTURE / ENCLOSURE VENTING:

- 1) ANY MASONRY USED FOR CABINET CONSTRUCTION FOR THE STRUCTURE HOLDING THE SIDEBURNER MUST BE NON-COMBUSTIBLE MATERIAL.
- 2) WE DO NOT ENDORSE THE USE OF ANY COMBUSTIBLE MATERIALS FOR FLOORING.
- 3) ENCLOSURE MUST HAVE 2 UPPER AND 2 LOWER-LEVEL VENTS (4 TOTAL) TO REMOVE COMBUSTION AIR TO PER DRAWING BELOW. NO LESS THEN ONE END OF THE ENCLOSURE MUST BE VENTED, PREFERABLY BOTH ENDS OF THE ENCLOSURE SHOULD BE VENTED. SEE NOTE 4 FOR EXCEPTION.
- 4) IF ONE END OF THE ENCLOSURE IS OBSTRUCTED. ANOTHER OPTION IS TO INSTALL 1 PAIR OF VENTS ON THE BACK SIDE OF THE ENCLOSURE ON CENTER WITH THE SIDEBURNER PER DRAWING BELOW. DIMENSIONAL LOCATIONS ARE AT BOTTOM OF PAGE.



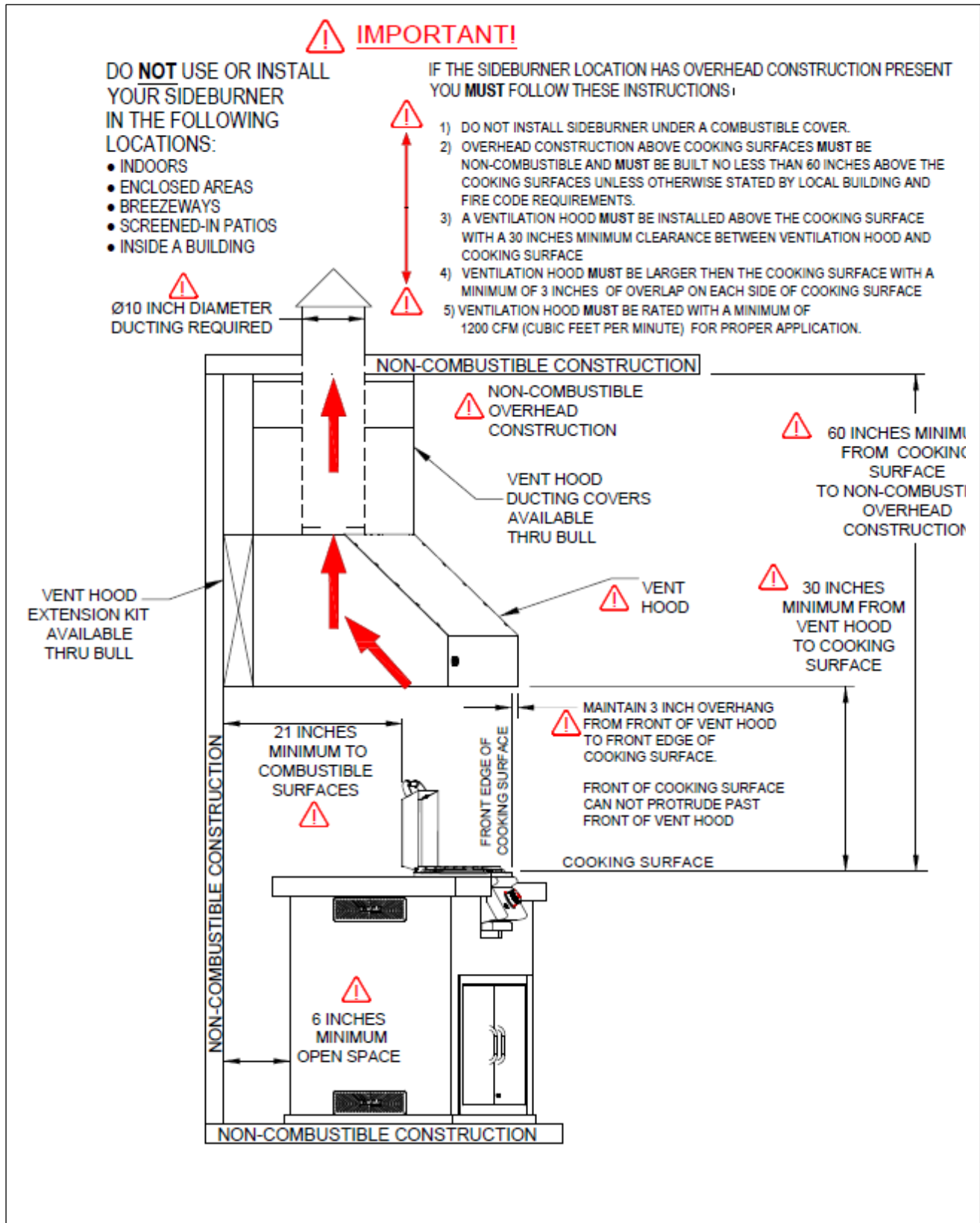
LOCATION SPECIFICATIONS FOR VENTS (VENTS MUST REMAIN UNOBSTRUCTED TO ALLOW FOR COMBUSTION AIR AND VENTILATION)



WARNING: IF THESE GUIDELINES ARE NOT FOLLOWED, FIRE CAUSING SERIOUS INJURY OR DEATH MAY OCCUR



SPECIFICATIONS FOR OVERHEAD VENTING

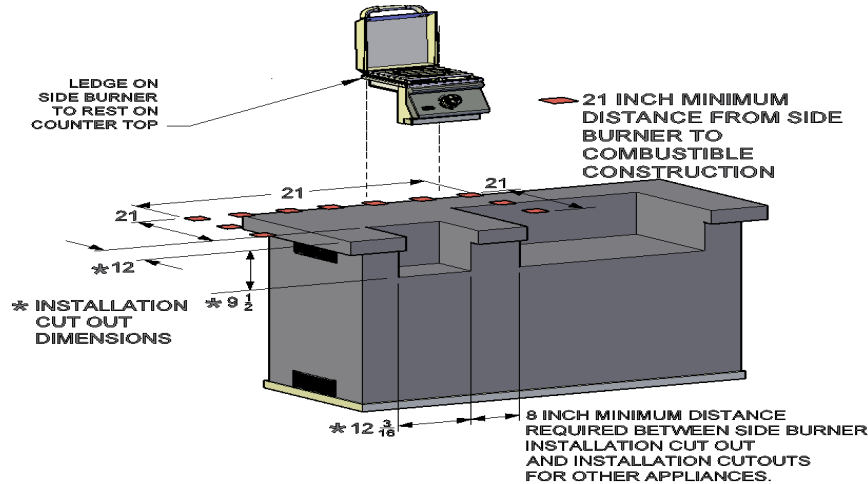


WARNING: IF THESE GUIDELINES ARE NOT FOLLOWED, FIRE CAUSING SERIOUS INJURY OR DEATH MAY OCCUR



INSTALLING SIDE BURNER INTO AN ENCLOSURE (OUTDOOR KITCHEN)

- 1) Refer to drawing below for installation cut out dimensions. All dimensions are in inch units.
- 2) Finishing frame for Side Burner can be obtained from Bull refer to item no.93008.
- 3) Per illustration showing red boundary, the sides and back of the side burner should not be any closer than **21 inches** to combustible construction.
- 4) Per CSA, it is required that any built-in cabinet must have enough room for only 1 LP tank. The LP tank enclosure must not exceed (24.5" X 24.5" X 30") and there must be a minimum clearance of 2 inches between the floor and the propane tank enclosure.

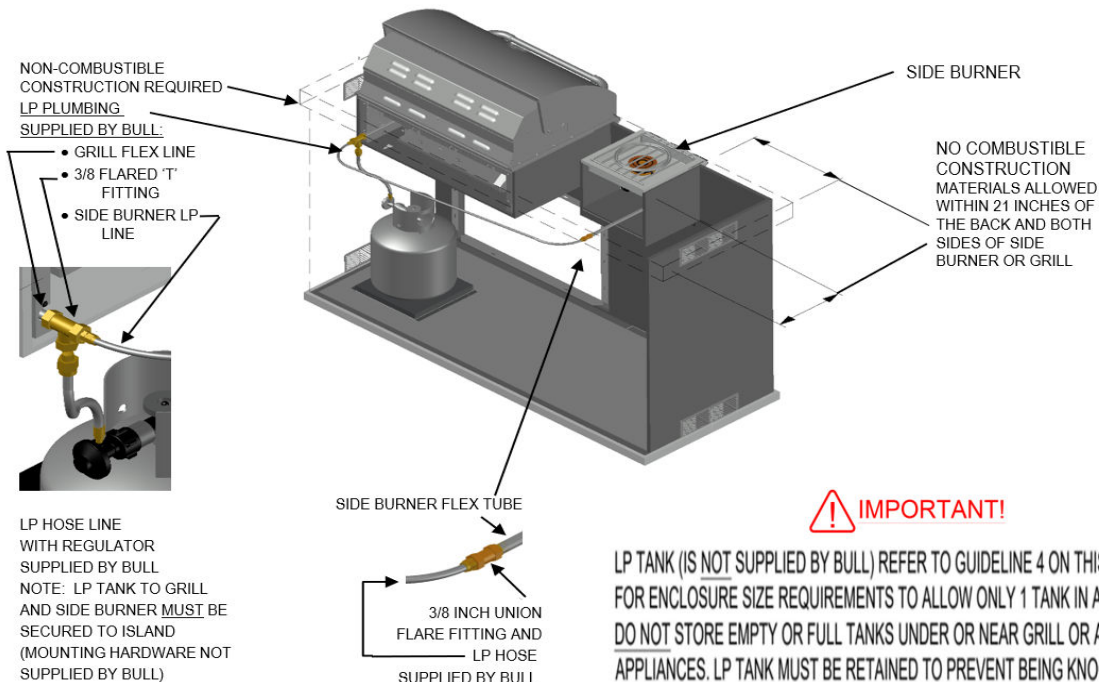


INSTALLING LP GAS TANK INTO AN ENCLOSURE (OUTDOOR KITCHEN)



(DO NOT STORE EMPTY OR FULL SPARE TANKS UNDER OR NEAR THIS OR ANY OTHER APPLIANCE)

- 1) The cylinder valve on the LP tank must be readily accessible for hand operation.
- 2) The LP tank must be isolated enough to where it is shielded from radiant heat and open flames.
- 3) The LP tank must be protected from foreign matter such as hot drippings.
- 4) There must be access so the LP tank can be connected, disconnected, inspected and leak tested outside of the enclosure.
- 5) The enclosure must provide access to allow leak testing of LP connections inside the enclosure for the LP Tank
- 6) The connectors must comply with ANSI Z21.75 CSA 6.27 standard for Connectors used on Outdoor Gas Appliances and Manufactured Homes to be suitable for outside installation.
- 7) The instructions shall indicate that the maximum length of the connection shall be 6 ft.
- 8) Please ensure visibility of the connector and directions for the piping, flexible tubing and gas connector within enclosure.
- 9) Do not use any combustible materials for this construction.



IMPORTANT!
 LP TANK (IS NOT SUPPLIED BY BULL) REFER TO GUIDELINE 4 ON THIS PAGE FOR ENCLOSURE SIZE REQUIREMENTS TO ALLOW ONLY 1 TANK IN AN ISLAND DO NOT STORE EMPTY OR FULL TANKS UNDER OR NEAR GRILL OR ANY OTHER APPLIANCES. LP TANK MUST BE RETAINED TO PREVENT BEING KNOCKED OVER





WARNING: IF THESE GUIDELINES ARE NOT FOLLOWED, FIRE CAUSING SERIOUS INJURY OR DEATH MAY OCCUR

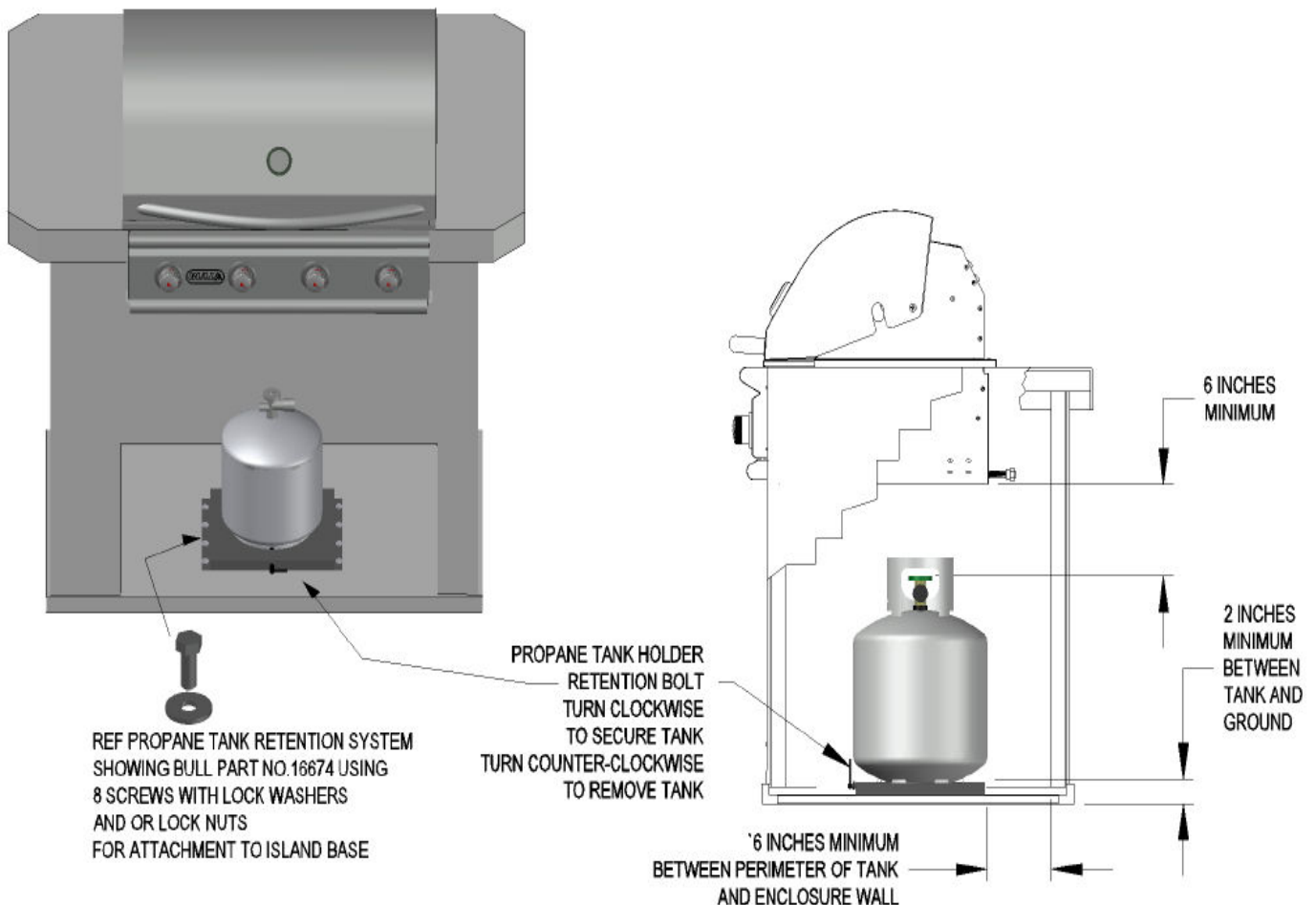


LP GAS TANK RETENTION GUIDELINES: **IMPORTANT!**

AN LP TANK (CYLINDER) WITHIN AN ENCLOSURE MUST USE A TANK RETENTION SYSTEM TO PREVENT BEING KNOCKED OVER.

Below are guidelines and illustrations for an LP Tank enclosure and how to install a Tank Retention System which can be obtained through your Bull Dealer:

-  Any Tank Retention system must be secured to the floor using bolts and nuts or lock washers.
-  Once secured, place the LP tank in the tank retention system and tighten the tank retention bolt clockwise until the tank is held snug and cannot move. Turn the retention bolt counter-clockwise to free the tank for removal.
-  **Per CSA, it is required that any built-in cabinet must have enough room for only 1 LP tank.**
The LP tank enclosure must not exceed (24.5" X 24.5" X 30") and there must be a minimum clearance of 2 inches between the floor and the propane tank enclosure.
-  **WARNING:**
 - **DO NOT STORE AN EMPTY, SPARE OR DISCONNECTED LP GAS CYLINDER UNDER OR NEAR THIS SIDE BURNER OR ANY OTHER APPLIANCE.**
 - **DO NOT USE A DENTED OR RUSTY LP GAS CYLINDER AS THIS MAY BE HAZARDOUS**
 - **DO NOT USE A LP GAS CYLINDER WITH A DAMAGED VALVE OR HOSE.**



WARNING: IF THESE GUIDELINES ARE NOT FOLLOWED, FIRE CAUSING SERIOUS INJURY OR DEATH MAY OCCUR



NATURAL GAS (NG) CONNECTION INSTRUCTIONS



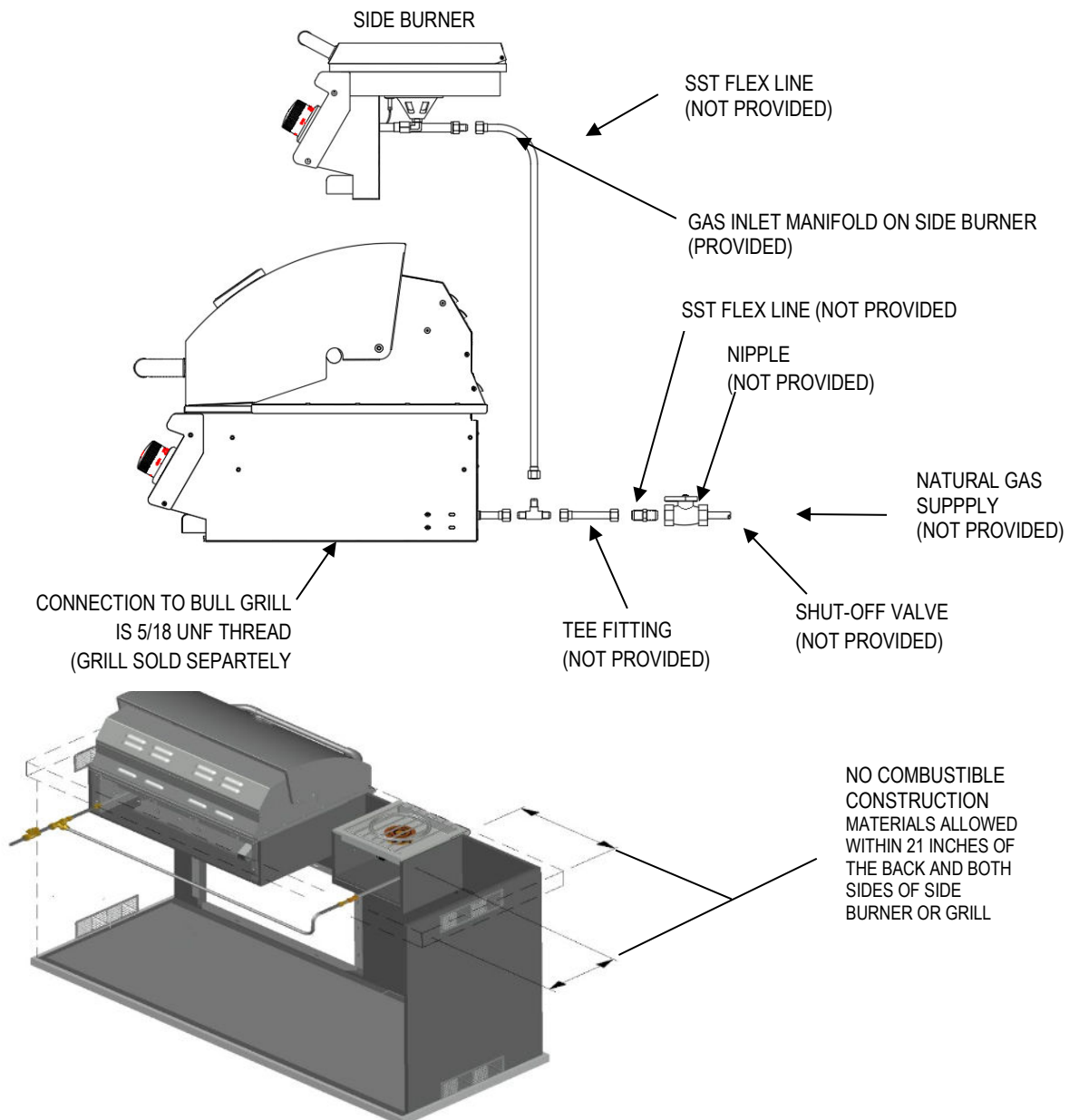
Refer to the following instructions and illustrations for typical gas supply connections.

We strongly suggest professional installation and hook-up of the Gas BBQ.

IMPORTANT: Before connecting side burner to gas source, make sure all appliances using the gas source have their control knobs are in "OFF" position. Be sure to follow instructions for connecting an appliance to a fixed fuel piping system specifying the use of a rigid pipe, semi-rigid tubing, and/or a connector that complies with the Standard for Connectors for Outdoor Gas Appliances and Manufactured Homes, ANSI Z21.75 For post-mounted outdoor cooking gas appliances, in-ground metallic posts shall be protected against corrosion as warranted by soil conditions. A suitable coating of corrosion protection will retard the effects of corrosion and help your Bull purchase last longer.

IMPORTANT CONNECTION STEPS:

- 1) Bull Outdoor Products does not recommend the use of any quick connect fittings or lines to the unit. Use of these types of fittings or lines could cause low gas flow and greatly reduce the performance of the unit.
- 2) Do not use Teflon tape or pipe sealant on any flare ends because you will not obtain a leak free seal.



WARNING: IF THESE GUIDELINES ARE NOT FOLLOWED, FIRE CAUSING SERIOUS INJURY OR DEATH MAY OCCUR



FIRST USE' LIGHTING PROCEDURE

- NEVER SMOKE WHILE LIGHTING SIDE BURNER OR CHECKING LP GAS CONNECTIONS.
- BECOME FAMILIAR WITH THE SAFETY GUIDELINES AT THE FRONT OF THE MANUAL
- DO NOT LEAVE SIDE BURNER UNATTENDED DURING USE



IMPORTANT! FOLLOW THE STEPS BELOW BEFORE FIRST USE OR AT START OF NEW GRILLING SEASON

- 1) If your Side Burner fuel source is LP, verify the gas cylinder is full.
- 2) Check that the end of the burner tube is properly located over the valve orifice.
- 3) **PERFORM LEAK TEST** to ensure that there are no gas leaks before first use, after changing gas tank or start of a new grilling season.

LEAK CHECK INSTRUCTIONS

- 1) Turn off the heat control valve, and then turn on gas at source.
- 2) Make a soap solution by mixing one-part liquid detergent and one-part water.
- 3) Apply the soap solution to all gas connections: bubbles will appear in the soap solution if connections are not properly sealed. Tighten or repair as necessary.
- 4) If you have a gas leak that you cannot repair, turn off the gas at the source, disconnect the fuel line from the Side Burner, immediately call your Bull dealer and gas supplier for professional assistance.
- 5) ***Make sure all gas connections are securely tightened.***

WARNING: IF THESE GUIDELINES ARE NOT FOLLOWED, FIRE CAUSING SERIOUS INJURY OR DEATH MAY OCCUR

FIRST USE LIGHTING STEPS

Always open lid before lighting. Do not move the appliance when it is in use.

NOTE: The gas line and burner will be full of air after assembly or installation. Before lighting, please follow the steps below to purge the gas line and prime it with gas to properly ignite the burner. It may require several attempts at lighting the burner before you are successful.

- 1) With Side Burner control knob in "OFF" position, turn on the Gas supply.
- 2) Light the burner by pushing its control knob in fully and slowly (3 to 4 seconds) turning it about 1/4 turn to the left (counterclockwise) until a click is heard. The 3 to 4 second duration should provide enough gas to light the burner. Adjust the burner to the desired cooking temperature.
- 3) If the burner does not light, immediately return the control knob to "OFF", wait several minutes for the gas to disperse, and repeat the process. After burner lights successfully, turn control knob to "OFF".
- 4) If the burner fails to light after several attempts, discontinue gas supply at source and re-inspect for obstructions to gas flow and orifice. **If the burner does not light after several attempts, immediately (or within 5 seconds?) return the control knob to 'OFF', wait 5 minutes for the gas to disperse before repeating the process or attempting to manually light the burner.**

IF YOU SMELL GAS, STOP! FOLLOW THE GUIDELINES ON PAGE 6 BEFORE MANUALLY LIGHTING:

MANUALLY LIGHTING

NOTE: If igniter fails to produce a spark at the electrode tip, burner can be manually lit with a fireplace-type match.

NOTE: To light the Side Burner with a fireplace-type match, follow steps 1 through 6 above. Remove cooking grate and insert lighted fireplace-type match or long-necked butane lighter placing flame near to burner ports. Press in control knob and rotate left to "HIGH" setting to release gas. Burner should light immediately. Replace cooking grate and adjust burner to desired cooking temperature.



'FIRST USE' PROCEDURE. CONTINUED

IMPORTANT: Before first use and at the end of each barbecue season: wash cooking grate with warm, soapy water. Rinse and dry thoroughly.

DO NOT RUN FOR MORE THAN 10 MINUTES BEFORE FIRST USE

ALWAYS OPEN LID BEFORE LIGHTING. DO NOT MOVE THE APPLIANCE WHEN IT IS IN USE.

FIRST USE 'BURN OFF' GUIDELINES:

A Burn-off process is needed to get rid of any odors or foreign matter before cooking on your Side Burner for the first time. To do this, ignite the burner and set the control knob to the "HIGH" setting for five minutes, but **no more than 10 minutes** before first use, after that turn control knob to "OFF"



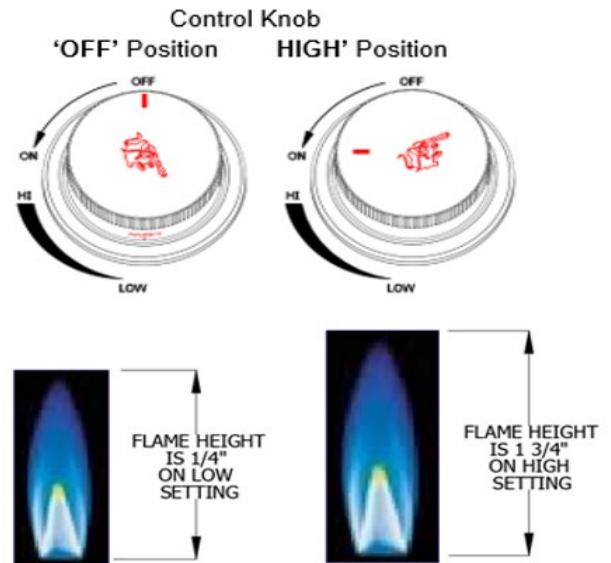
NEVER SMOKE WHILE LIGHTING SIDE BURNER OR CHECKING GAS SUPPLY CONNECTION!



LIGHTING INSTRUCTIONS:

- 1) Set Control knob to "OFF" and open gas supply, LP cylinder or Natural Gas Valve.
- 2) Ignite the burner as follows:
 - A) Push in control knob completely and rotate slowly (3 to 4 seconds) about 1/4 turn to the left (counterclockwise) until a click is heard. The 3 to 4 second duration should provide enough gas to light the burner.
 - B) If the burner does not light, immediately return the control knob to 'OFF', wait several minutes for the gas to disperse, repeat the process.
 - C) Adjust control knob to desired cooking temperature.
- 3) **NOTE:** Initially, the burner will have a blue flame (see guidelines below). After some time, the color of the flame and Ceramic Panel will be orange.

Note: This may not be evident in bright daylight.



NOW YOUR SIDE BURNER IS READY FOR USE!

OPERATIONAL GUIDELINES:

CAUTION: DO NOT LEAVE SIDE BURNER UNATTENDED WHILE IN USE.

CAUTION: The cooking pot sizes to be used are between 4 3/4in(120mm)-8 3/4in(220mm) in diameter.

The maximum weight of the pan and contents should not exceed 20 lbs.

It is recommended you use protective gloves during use or handling any components with transferred heat temperature.

Do not move the appliance when it is in use.

Turn off the gas supply at the gas supply source after usage.



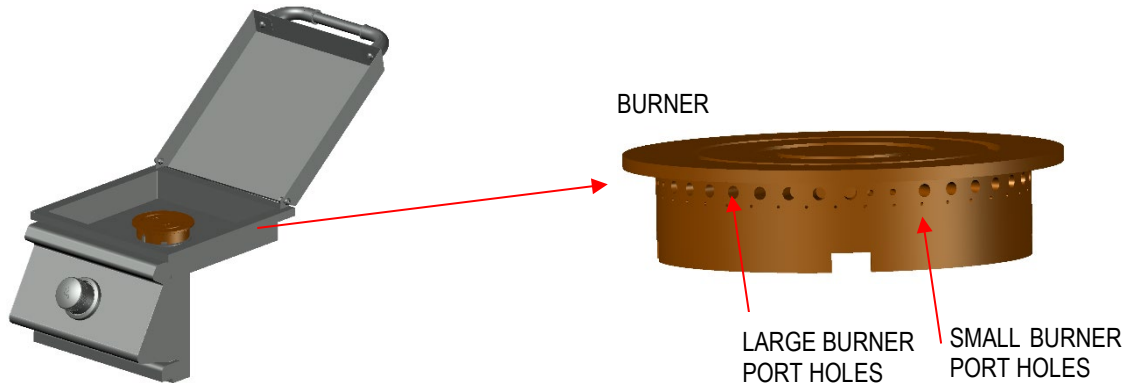
SIDE BURNER INSPECTION AND CLEANING

Following these cleaning procedures on a timely basis will help keep your Side Burner clean and working properly.

CAUTION – ALWAYS TURN OFF THE GAS SUPPLY PRIOR TO CLEARING YOUR SIDE BURNER.

INSTRUCTIONS FOR BURNER REMOVAL, BURNER PORT INSPECTION AND DEBRIS REMOVAL

- 1) Remove the inner and outer cooking grates.
- 2) The Burner requires no tools to remove. Burner Port Inspection, the Burner Ports consist of 2 sets of holes (one set of large holes and a ring of smaller holes) as shown below. Visually inspect all of them to insure none are clogged. If there is a clogged port, bend a stiff wire into a small hook and run the hook through the port several times using a narrow bottlebrush with a flexible handle, run it through the burner openings several times.
- 3) Inspect the burner for any damage or openings caused by corrosion.



WARNING: Any modification of the appliance is considered dangerous and can cause serious or possible fatal injuries.

CLEANING THE BURNER

IMPORTANT: Gas control knob should be in the “OFF” position, and fuel line should be disconnected from gas valve. To reduce the chance of FLASHBACK, the procedure below should be followed at least once a month or when your Side Burner has not been used for an extended period.

- 1) Remove cooking grate and outer ring.
- 2) Wash the burner ring in a mild soap and warm water solution to remove residue and dirt. Clean any clogged burner ports with stiff wire such as an open paper clip.
- 3) Inspect the burner for damage (cracks or holes) and if such damage is found, order and install a new burner. Clean any clogged burner ports with stiff wire such as an open paper clip.
- 4) After installation, check to ensure that the burner ring is correctly placed on the burner.

CLEANING THE COOKING GRATE CAUTION: ALWAYS ALLOW THE SIDE BURNER TO COOL COMPLETELY BEFORE CLEANING.

IMPORTANT: After cooking, turn control knob to “OFF” and let Side Burner cool before attempting to clean your cooking grate. Before first use and periodically it is suggested that you wash the cooking grate in a mild soap and warm water solution. You can use a washcloth or a vegetable brush to clean your cooking grate.

ANNUAL CLEANING OF SIDE BURNER HOUSING

Periodically the Side Burner should be given an entire thorough cleaning to ensure optimal performance.

- 1) Shut off gas supply at source and disconnect fuel line from gas valve. Protect fuel line fitting.
- 2) Remove and clean the cooking grate as explained above.
- 3) Cover the gas orifice with a piece of aluminum foil.
- 4) Brush the inside of the Side Burner with a brush and wash it down with a mild soap and warm water solution. Rinse thoroughly and let dry.
- 5) Check igniter as instructed on page 16
- 6) Replace cooking grate.
- 7) Reconnect to gas source and observe burner flame for correct operation.



MAINTENANCE

REQUIRED INSTALLATION, OPERATION AND MAINTENANCE INSTRUCTIONS THAT MUST BE FOLLOWED PER ANSI Z210.58-CSA 1.6-2019 SECTION 4.24.2a FOR ALL OUTDOOR COOKING GAS APPLIANCES.

STAINLESS STEEL CLEANING AND MAINTENANCE

Your Side Burner outstanding lustre and durability is attributed to Stainless Steel construction. The Stainless Steel has an outer layer that relies on a proper cleaning and maintenance routine as the best way to remain intact and prevent corrosion. Please note, Stainless Steel is **not** 'rust proof' contrary to popular belief. Stainless Steel BBQ equipment is often at risk of corrosion by exposure to chemicals, caustics and fertilizers from swimming pools and outdoor landscaping. Locations with climates with greater heat and humidity will intensify this condition. By following a proper cleaning routine, you will add to the years you enjoy Side Burner.

- I. Installation must conform with local codes or, in the absence of local codes, with either of the following as applicable:
 - a. National Fuel Gas Code, ANSI Z223.1/NFPA 54
 - b. National Gas and Propane Installation Code, CSA B149.1
 - c. Propane Storage and Handling Code. CSA B149.2
 - d. Standard for Recreational Vehicles, ANSI A119.2/NFPA 1192 OR Recreational Vehicle Code, CSA Z240 RV Series
 - II. If an electrical source is utilized, the outdoor cooking gas appliance, when installed must be electrically grounded in accordance with local codes, or in the absence of local codes with the refer to National Electrical Code, ANSI/INFP 70 or Canadian Electrical Code, Part 1, CSA C22 the following as applicable:
 - III. This outdoor cooking gas appliance shall be used only outdoors and shall not be used in a building, garage or any enclosed area.
 - IV. This outdoor cooking appliance is not intended to be installed in or on boats
 - V. This outdoor cooking appliance is not intended to be installed in or on recreational vehicles
 - VI. Do not remove any labels, nameplate or data plate that show the manufacture's, distributor's, jobber or dealer's name, manufactures address, model name or serial number.
- VII. YOUR SIDE BURNER MINIMUM CLEARANCE FROM THE BACK AND SIDE OF ANY COMBUSTIBLE CONSTRUCTION MUST BE AT 21 INCHES MUST NOT BE UNDER OVERHEAD COMBUSTIBLE CONSTRUCTION.**

REFER TO MANUAL PAGES LISTED BELOW FOR SIDE BURNER INSPECTION, MAINTENANCE OR SAFETY GUIDELINES:

PAGE 3 & 4 INFO FOR ORDERING REPLACEMENT PARTS.

PAGE 5 CHECKING AND CLEANING OF BURNER/VENTURI TUBES OF INSECTS AND INSECT NESTS.

PAGE 5 & 14 GAS LEAK TESTING PROCEDURES

PAGE 7 LP HOSE INSPECTION PRIOR TO EACH USE. ENCLOSED SIDE BURNERS MUST HAVE ACCESS TO INSPECT THE HOSE AND CONNECTIONS. UPON INSPECTION, A HOSE WITH ANY CUTS, SLITS, TEARING, EXCESSIVE ABRASION OR WEAR. **MUST BE REPLACED, DO NOT USE.** REFER TO PAGES 3, AND 4 TO ORDER REPLACEMENT LP HOSE.

PAGE 10-14 BURNER INSTALLATION, FIELD-INSTALLED PARTS OR ACCESSORIES SUPPLIED WITH THIS OUTDOOR GAS APPLIANCE.

PAGES 16

- INSTRUCTIONS AND ILLUSTRATIONS FOR LIGHTING AND BURNER CONTROL OPERATION.
- INSTRUCTIONS AND ILLUSTRATIONS FOR VISUALLY CHECKING THE BURNER AND PILOT FLAME

PAGE 17 BURNER INSPECTION INSTRUCTIONS THAT SHOULD BE DONE MONTHLY.

PAGE 19 IMPORTANTANCE OF BURNER ORIFICE BEING PROPERLY INSERTED INTO THE BURNER TUBE.

A CLOGGED TUBE CAN LEAD TO FIRE BENEATH THE SIDE BURNER.

- REQUIRING OUTDOOR GAS APPLIANCE ARE TO BE CLEAR AND FREE OF COMBUSTIBLE MATERIALS, GASOLINE, OR OTHER LIQUIDS EMITTING FLAMMABLE VAPOURS.
- DO NOT ALLOW OBSTRUCTION OR RESTRICTION TO THE FLOW OF COMBUSTION AND VENTILATION AIR AROUND THE SIDE BURNER HOUSING.
- KEEPING THE VENTILATION OPENING OF THE CYLINDER ENCLOSURE FREE AND CLEAR FROM DEBRIS.
- KEEPING ELECTRICAL SUPPLY CORD AND FUEL SUPPLY HOSE AWAY FROM ANY HEATED SURFACES.

If the valve orifices do not fit inside the burner tubes, lighting the burners may cause explosion and/or fire.



NEVER SMOKE WHILE TROUBLESHOOTING!



IF SIDE BURNER FAILS TO OPERATE PROPERLY

- 1) TURN OFF GAS AT SOURCE, TURN CONTROL KNOB TO “OFF”, AND WAIT FIVE MINUTES BEFORE TRYING AGAIN.
- 2) CHECK GAS SUPPLY/CONNECTIONS.
- 3) REPEAT LIGHTING PROCEDURE.

IF SIDE BURNER STILL FAILS TO OPERATE PROPERLY, **TURN “OFF” GAS AT SOURCE, TURN CONTROL KNOB TO “OFF”**, WAIT FOR SIDE BURNER TO COOL, AND CHECK THE FOLLOWING:

A. MISALIGNMENT OF BURNER TUBE OVER VENTURI TUBE

CORRECTION: REPOSITION BURNER TUBE TO PROPERLY SEAT INSIDE VENTURI TUBE.

B. OBSTRUCTION IN GAS LINE

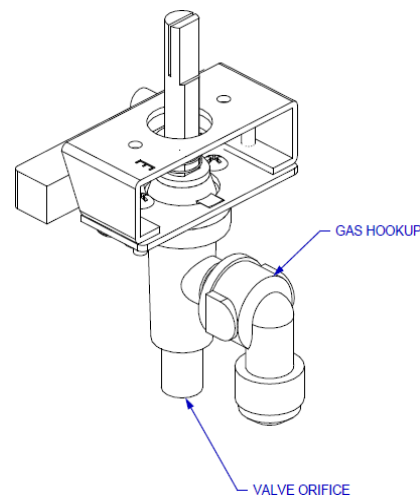
CORRECTION: REMOVE FUEL LINE FROM THE SIDE BURNER. NEVER SMOKE AROUND EXPOSED GAS LINE! OPEN GAS SUPPLY FOR ONE SECOND TO BLOW ANY OBSTRUCTION FROM FUEL LINE. CLOSE OFF GAS SUPPLY AT SOURCE AND RECONNECT FUEL LINE TO THE SIDE BURNER.

C. PLUGGED ORIFICE

CORRECTION: REMOVE THE VALVE FROM THE VENTURI TUBE AND GENTLY CLEAR ANY OBSTRUCTION IN THE ORIFICE WITH A FINE WIRE. RE-INSTALL THE VALVE INTO THE VENTURI TUBE. IF AN OBSTRUCTION IS SUSPECTED IN THE GAS VALVE OR THE VENTURI TUBE, PLEASE CONTACT YOUR SIDEKICK SIDE BURNER DEALER OR GAS APPLIANCE SERVICE PERSON FOR ASSISTANCE.

D. MISALIGNMENT OF IGNITER ON BURNER

CORRECTION: CHECK FOR PROPER POSITION OF IGNITER TIP. THE TIP OF THE IGNITER SHOULD BE RELATIVELY CLOSE TO BURNER PORTS AND FREE FROM GREASE FOR SPARK DISCHARGING. THE IGNITION WIRE SHOULD BE FIRMLY CONNECTED TO THE VALVE IGNITION AND IGNITER. REPLACE THE IGNITION WIRE IF THE WIRE WERE BROKEN OR CRACKED. WITH GAS SUPPLY CLOSED AND THE CONTROL KNOB SET TO “OFF”, CHECK THE POSITIVE IGNITER INDIVIDUALLY FOR PRESENCE OF SPARK AT IGNITER TIP. PUSH THE CONTROL KNOB IN FULLY AND ROTATE ABOUT 1/4 TURN TO THE LEFT (COUNTER-CLOCKWISE) UNTIL CLICK IS HEARD; THE TRIGGER HITTING THE STRIKE BLOCK SHOULD PRODUCE A BLUE SPARK AT THE IGNITER TIP. RETURN CONTROL KNOB TO “OFF”.



IF RE-IGNITION IS NECESSARY

WHILE THE SIDEKICK SIDE BURNER IS STILL HOT, YOU MUST WAIT FOR A MINIMUM OF FIVE MINUTES BEFORE COMMENCING TO RE-IGNITE (THIS ALLOWS ACCUMULATED GAS FUMES TO CLEAR). IF ALL CHECKS/CORRECTIONS HAVE BEEN MADE AND THE SIDEKICK SIDEBURNER STILL FAILS TO OPERATE PROPERLY, CONSULT YOUR SIDEBURNER DEALER OR GAS APPLIANCE SERVICE PERSON.

FLASHBACK

WHEN FIRE OCCURS IN AND AROUND THE BURNER TUBE, IMMEDIATELY TURN OFF GAS AT ITS SOURCE AND TURN THE CONTROL KNOB TO “OFF”. WAIT UNTIL THE SIDEKICK SIDEBURNER HAS COOLED COMPLETELY, THEN CLEAN THE BURNER TUBE AS DESCRIBED ON PAGE 14.



Warranty Policy

LIMITED WARRANTY ON BULL OUTDOOR PRODUCTS, INC., PRODUCTS

THIS LIMITED WARRANTY GIVES YOU SPECIFIC LEGAL RIGHTS. YOU MAY ALSO HAVE OTHER RIGHTS, WHICH VARY FROM STATE TO STATE.

THIS LIMITED WARRANTY CAN ALSO BE FOUND ON OUR WEB SITE AT:

<https://www.bullbbq.com/support-warranty> (United States Customers)

<https://bullbbq.eu/customer-care/#warranty-registration-form> (International Customers)

AND IN THE OWNER'S/INSTALLATION MANUAL THAT WE PROVIDE WITH OUR PRODUCT.

THIS LIMITED WARRANTY IS SUBJECT TO THE EXCLUSIONS, CONDITIONS AND LIMITATIONS SET FORTH BELOW.

ANY IMPLIED WARRANTIES IMPOSED BY LAW, INCLUDING WITHOUT LIMITATION THE IMPLIED WARRANTIES OF MERCHANTABILITY AND FITNESS FOR A PARTICULAR PURPOSE, ARE LIMITED IN DURATION TO THE DURATION OF THIS EXPRESS LIMITED WARRANTY. SOME STATES DO NOT ALLOW LIMITATIONS ON HOW LONG AN IMPLIED WARRANTY LASTS, SO THE ABOVE LIMITATION MAY NOT APPLY TO YOU.

WHO MAY USE THIS WARRANTY?

BULL OUTDOOR PRODUCTS, INC. located at address 1011 East Pine St. Lodi, CA. 95240

("we") extend this limited warranty only to the consumer who originally purchased the product ("you") at the original site of delivery or installation. It does not extend to any subsequent owner or other transferee of the product. It does not apply to products installed in any rental, commercial or non-residential application. Examples of excluded applications include, but are not limited to day care centers, schools, bed and breakfast centers, churches, private clubs, fire stations, club houses, common areas in multi-family dwellings, restaurants, hotels, nursing homes, food service locations and institutional food service locations.

WHAT DOES THIS WARRANTY COVER?

This limited warranty covers defects in materials and workmanship of the product and product components identified below for the Warranty Periods defined below.

WHAT IS THE PERIOD OF COVERAGE?

This limited warranty starts on the date of your purchase and lasts for the time periods specified on the next page. The Warranty Period is not extended if we replace the product. We may change the availability of this limited warranty at our discretion, but any changes will not be retroactive.



Warranty Policy (Continued)

Grilling/Pizza Accessories and Grill Covers DO NOT include a warranty period.

Grill Warranty Periods

The following parts are covered for **1 year** on all our current gas grill models:

- The lid, control panel, grease tray, bezels, knobs, temperature gauge, valves, regulator, flex tubes, rotisserie burner, transformer, and all components of the lighting system.

The following parts are covered for **3 years** on all our current gas grill models:

- The manifold, handle end caps, flame tamers, heat shields, and warming rack.

The following parts are covered for the **lifetime** on all our current gas grill models:

- Insert assembly and the grates.

The warranty period for the grill burners varies by type:

- Cast stainless steel burners - **Lifetime**
- Welded stainless steel burners - **5 years**
- Porcelain coated burners - **3 years**

The warranty period for the charcoal grill is **1 year** on all parts, except for the insert assembly, which is covered for **5 years**.

Component Warranty Periods

All the parts for our components /grill carts/refrigerators/kegerators/drawers/doors/refrigerator frames/grill jackets/finishing frames/ice chest/sinks/bar center are covered for **1 year** with these exceptions:

• Power Burner

- The insert/grates are **lifetime** covered parts.
- The manifold/burner are covered for **3 years**.

• Searing Station/Slide in Double Sideburner

- The grates are covered for **lifetime**,
- The insert for **5 years**, and
- The manifold for **3 years**.

• Single Sideburner

- The grates are covered for **5 years** and
- The burner for **3 years**.

• Sidekick

- The burner is covered for **3 years**.

Pizza Ovens/Islands/Fire Features Warranty Periods

- All of the parts and construction materials are covered for **1 year**.



Warranty Policy (Continued)

WHAT DOES THIS WARRANTY NOT COVER?

This limited warranty does not cover any damage due to:

- Transportation.
- Storage
- Improper installation or use.
- Use on improper fuel/gas supply.
- Failure to follow the product instructions or to perform any preventive maintenance.
- Modifications.
- Normal wear and tear, rust, corrosion, oxidation, or discoloration.
- External causes such as accidents, abuse, or other actions or events beyond our reasonable control.

WHAT OPTIONS ARE OFFERED BY BULL OUTDOOR PRODUCTS UNDER THIS WARRANTY?

With respect to any defective product claim made during the Warranty Period, we will, in our sole discretion:

- Replace such product (or the defective part) free of charge.

WHAT IS EXCLUDED BY BULL OUTDOOR PRODUCTS UNDER THIS WARRANTY?

- We will not pay for shipping charges for replacement parts, or for any labor or labor related charges.
- We will not pay for any accessory products or ancillary products purchased by you for use in connection with the product.

HOW DO YOU NOTIFY BULL CUSTOMER SERVICE OF A POTENTIAL WARRANTY ISSUE?

Our Customer Service is ready to help. Here's how to reach us:



By Phone (800) 521-2855 Monday through Friday from 8:00 a.m. to 5:00 p.m. (EDT)



To submit a warranty claim on-line or message go to <https://www.bullbbq.com/support-warranty>

LIMITATION OF LIABILITY

THE REMEDIES DESCRIBED ABOVE ARE YOUR SOLE AND EXCLUSIVE REMEDIES AND OUR ENTIRE LIABILITY FOR ANY BREACH OF THIS LIMITED WARRANTY. OUR LIABILITY SHALL UNDER NO CIRCUMSTANCES EXCEED THE ACTUAL AMOUNT PAID BY YOU FOR THE DEFECTIVE PRODUCT, NOR SHALL WE UNDER ANY CIRCUMSTANCES BE LIABLE FOR ANY CONSEQUENTIAL, INCIDENTAL, SPECIAL OR PUNITIVE DAMAGES OR LOSSES, WHETHER DIRECT OR INDIRECT.

SOME STATES DO NOT ALLOW THE EXCLUSION OR LIMITATION OF INCIDENTAL OR CONSEQUENTIAL DAMAGES, SO THE ABOVE LIMITATION OR EXCLUSION MAY NOT APPLY TO YOU.