



WWW.BULLBBQ.COM

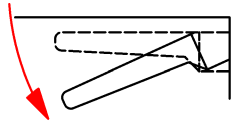
DRAWER REVERSING INSTRUCTIONS REVERSIBLE DOOR/DOUBLE DRAWER COMBO WITH REVEAL

STEP 1: REMOVE DRAWERS

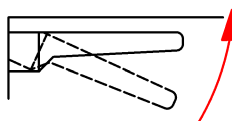
DRAWERS HAVE A LEFT AND RIGHT SIDE LEVER THAT RELEASES DRAWER FROM THE GUIDE RAIL



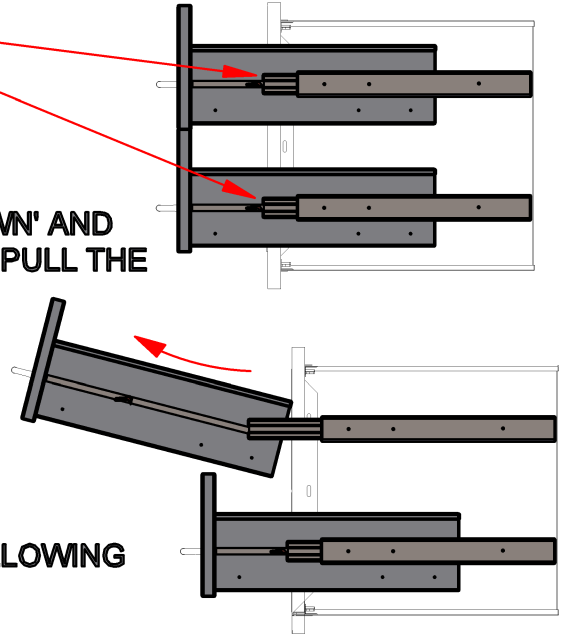
TO REMOVE DRAWERS PUSH THE LEFT SIDE LEVER 'DOWN' AND LIFT THE RIGHT SIDE LEVER 'UP' AT THE SAME TIME AND PULL THE DRAWER OUT UNTIL FEEL IT RELEASE.



LEFT SIDE LEVER 'DOWN'

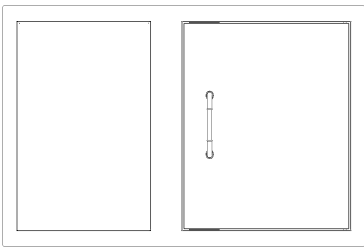


RIGHT SIDE LEVER 'UP'

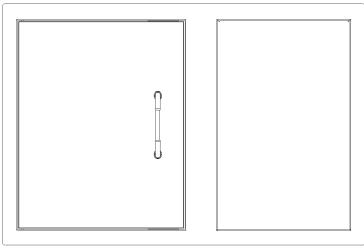


UPON RELEASE, LIFT THE FRONT OF THE DRAWER UP ALLOWING YOU TO PULL IT OUT OF THE GUIDE RAILS

STEP 2: ROTATE



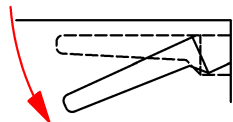
BEFORE ROTATING



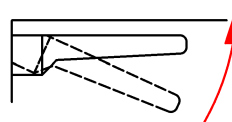
AFTER ROTATING

STEP 3: RE-INSTALL DRAWERS

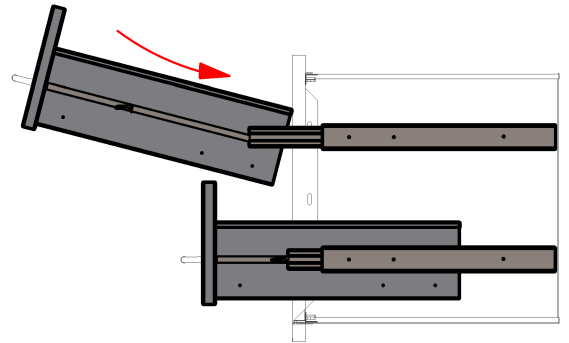
TO INSTALL DRAWERS PUSH THE LEFT SIDE LEVER 'DOWN' AND LIFT THE RIGHT SIDE LEVER 'UP' AT THE SAME TIME WHILE INSERTING DRAWER BACK INTO GUIDE RAIL.



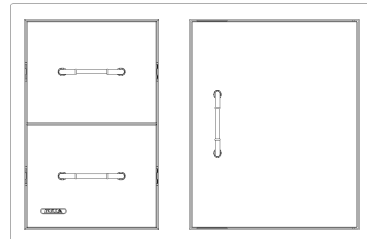
LEFT SIDE LEVER 'DOWN'



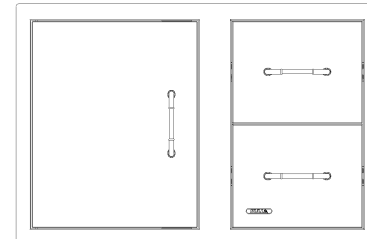
RIGHT SIDE LEVER 'UP'



RELEASE THE LEVERS ALLOWING THEM TO LOCK THE DRAWER TO THE GUIDE RAIL. CHECK TO MAKE SURE DRAWERS OPEN AND CLOSE PROPERLY BEFORE USE.



STANDARD ORIENTATION



REVERSED ORIENTATION