



WWW.BULLBBQ.COM

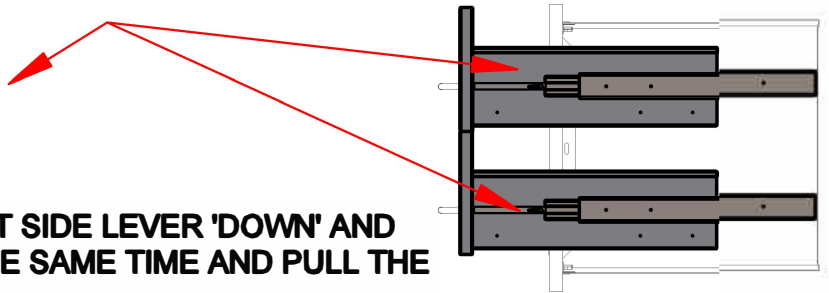
# DRAWER REVERSING INSTRUCTIONS

## 30 INCH DOOR/DRAWER COMBO WITH REVEAL

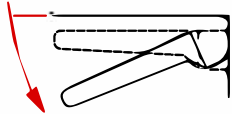
### ITEM# 25890

#### STEP 1: REMOVE DRAWERS

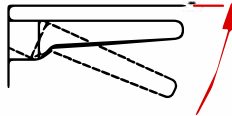
DRAWERS HAVE A LEFT AND RIGHT SIDE LEVER THAT RELEASES DRAWER FROM THE GUIDE RAIL



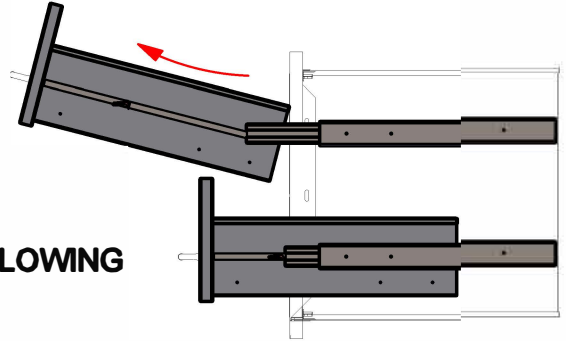
TO REMOVE DRAWERS PUSH THE LEFT SIDE LEVER 'DOWN' AND LIFT THE RIGHT SIDE LEVER 'UP' AT THE SAME TIME AND PULL THE DRAWER OUT UNTIL FEEL IT RELEASE.



LEFT SIDE  
LEVER 'DOWN'

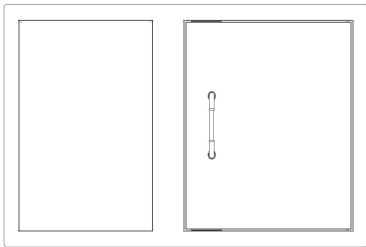


RIGHT SIDE  
LEVER 'UP'

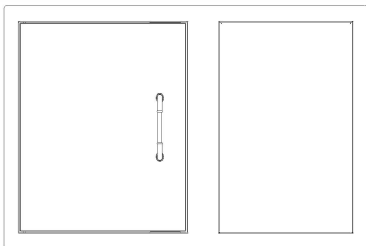


UPON RELEASE, LIFT THE FRONT OF THE DRAWER UP ALLOWING YOU TO PULL IT OUT OF THE GUIDE RAILS

#### STEP 2: ROTATE



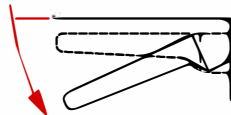
BEFORE ROTATING



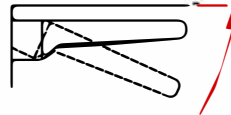
AFTER ROTATING

#### STEP 3: RE-INSTALL DRAWERS

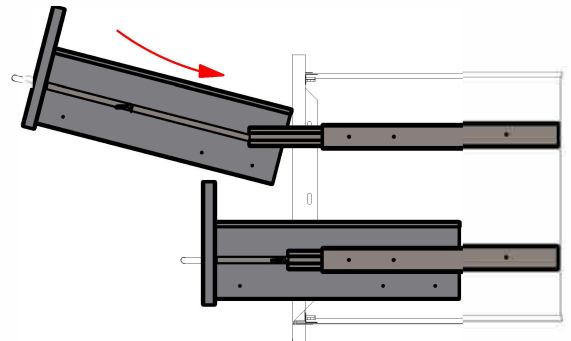
TO INSTALL DRAWERS PUSH THE LEFT SIDE LEVER 'DOWN' AND LIFT THE RIGHT SIDE LEVER 'UP' AT THE SAME TIME WHILE INSERTING DRAWER BACK INTO GUIDE RAIL.



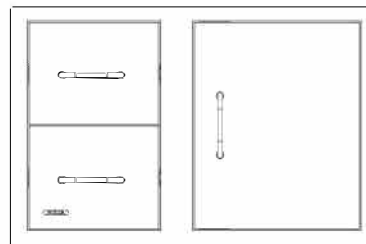
LEFT SIDE  
LEVER 'DOWN'



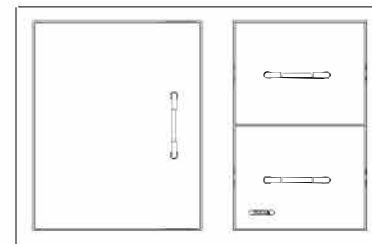
RIGHT SIDE  
LEVER 'UP'



RELEASE THE LEVERS ALLOWING THEM TO LOCK THE DRAWER TO THE GUIDE RAIL. CHECK TO MAKE SURE DRAWERS OPEN AND CLOSE PROPERLY BEFORE USE.



STANDARD ORIENTATION



REVERSED ORIENTATION