



SPEC SHEET

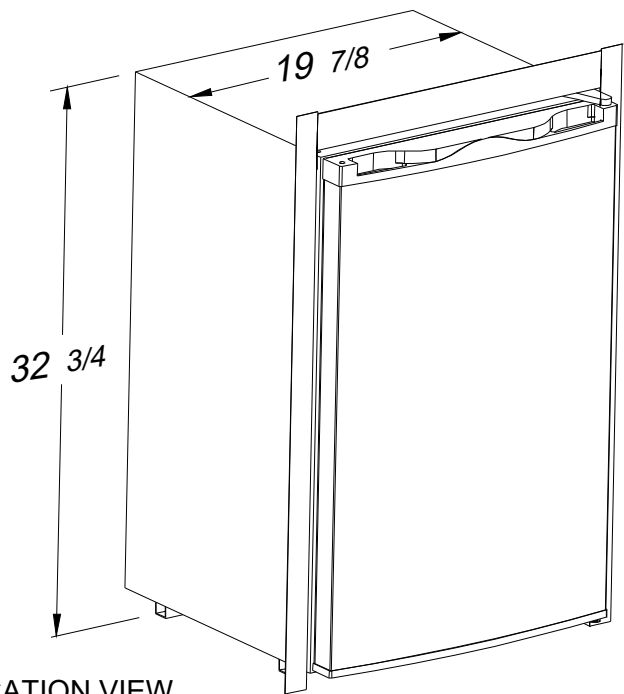
ITEM # 99935

FINISHING FRAME

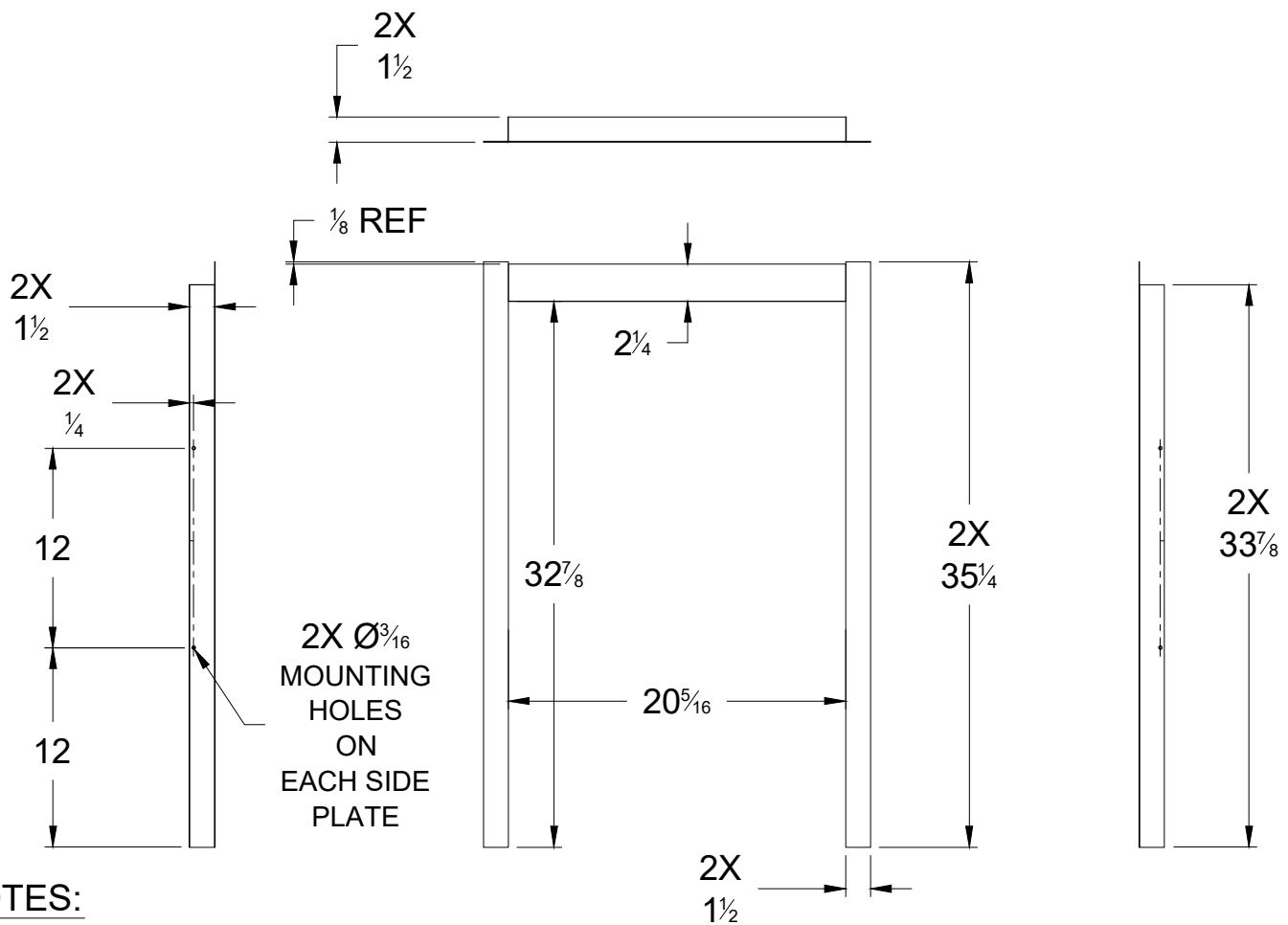
FOR STAINLESS STEEL

REFRIGERATOR

ITEM#11001



APPLICATION VIEW
WITH REFERENCE DIMENSIONS
FOR REFRIGERATOR



NOTES:

1. ALL DIMENSIONS ARE IN INCHES

2. INSTALLATION CUTOUT DIMENSIONS ARE 20 3/4 WIDE X 33 1/4 LONG X 2 DEEP