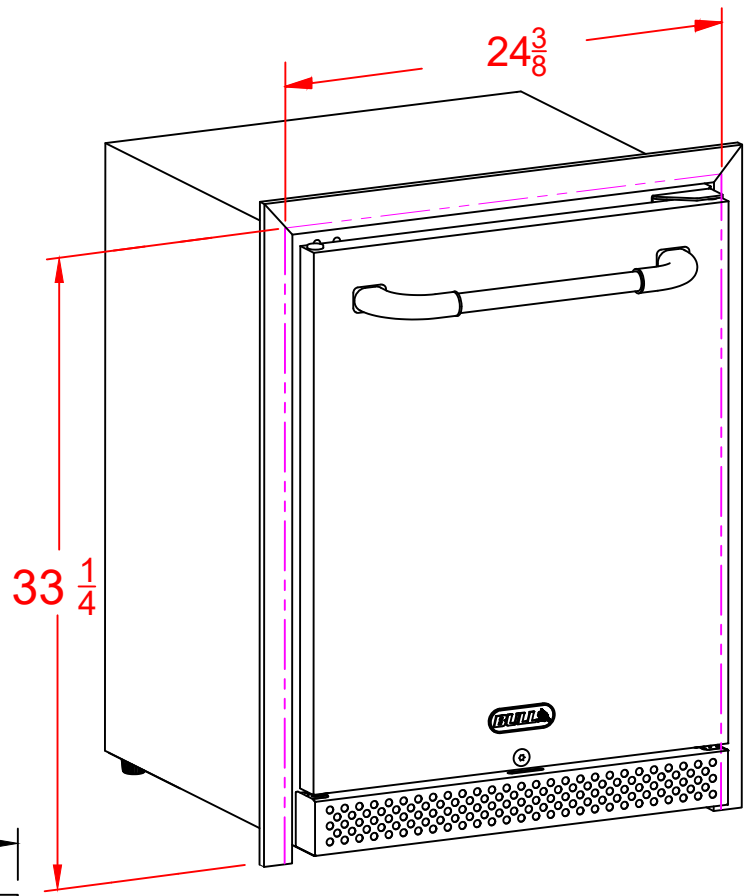




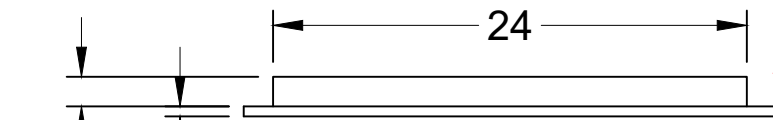
WWW.BULLBBQ.COM

**PREMIUM OUTDOOR
REFRIGERATOR
FINISHING FRAME
WITH REVEAL
SPEC SHEET
ITEM# 13910**



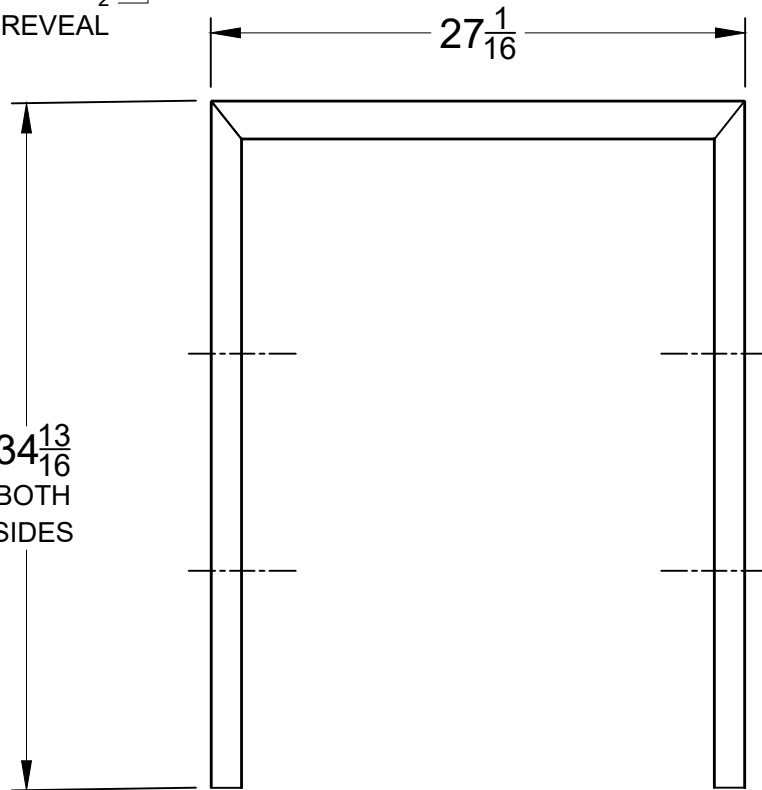
PERSPECTIVE VIEW

WITH INSTALLATION CUT OUT DIMENSIONS
(REFRIGERATOR SOLD SEPARATELY)

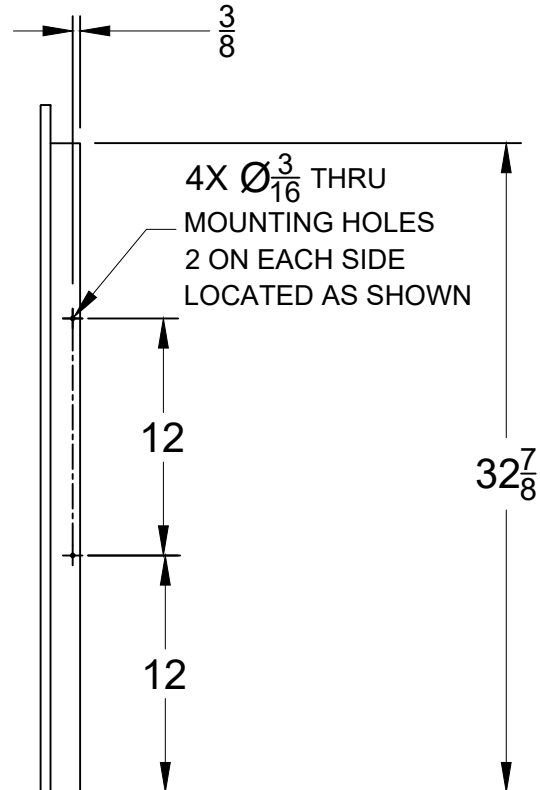


TOP VIEW

$1\frac{1}{2}$
REVEAL



FRONT VIEW



SIDE VIEW

4X $\varnothing\frac{3}{16}$ THRU
MOUNTING HOLES
2 ON EACH SIDE
LOCATED AS SHOWN

NOTES:

- 1) ALL DIMENSIONS ARE IN INCH UNITS
- 2) REFER TO PERSPECTIVE VIEW FOR INSTALLATION CUTOUT DIMENSIONS.