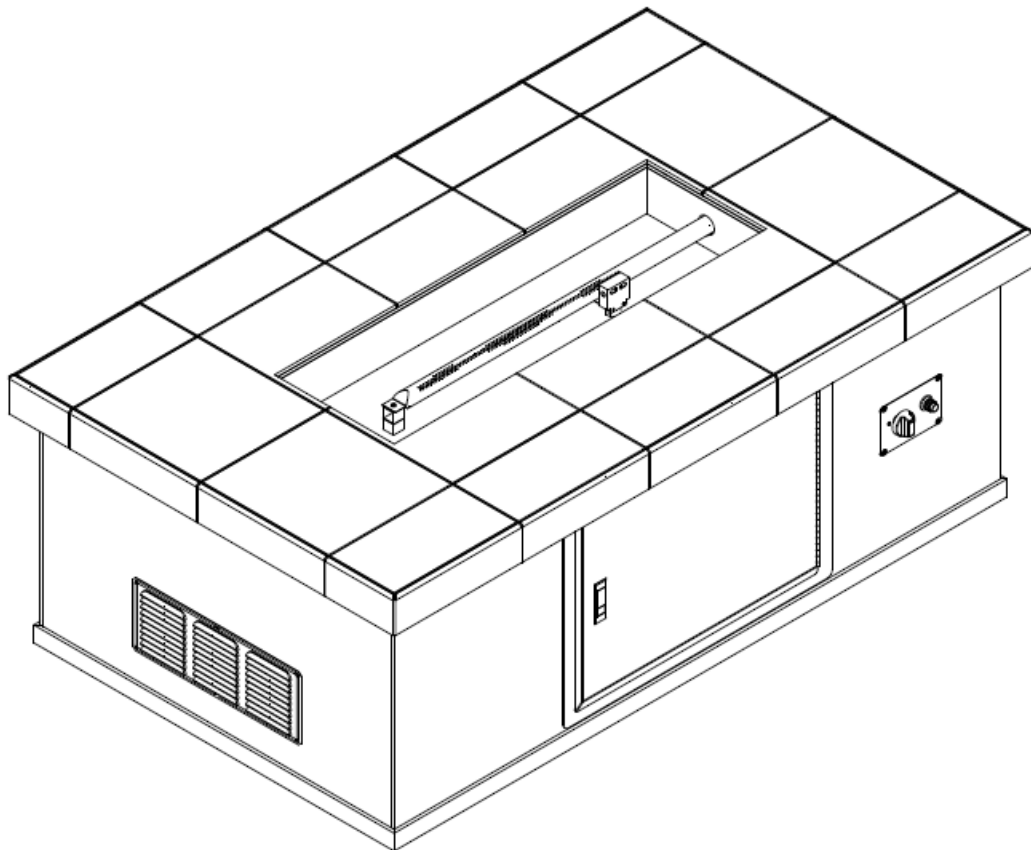




## OPERATING INSTRUCTIONS

MODEL #31044 RECTANGULAR FIRE PIT



# TABLE OF CONTENTS

PAGE #

<b>SAFETY INSTRUCTIONS</b> .....	2
<i>THE LOCATION FOR YOUR FIRE PIT</i> .....	2
<i>CHECKING FOR GAS LEAKS</i> .....	2
<i>PROPANE GAS SAFETY</i> .....	3
<i>NATURAL GAS SAFETY</i> .....	4
<b>CONNECTION INSTRUCTIONS</b> .....	5
<i>PROPANE GAS CONNECTIONS</i> .....	5
<i>NATURAL GAS CONNECTIONS</i> .....	5
<b>INSPECTING / CLEANING BURNER AND BURNER ORIFICE</b> .....	6
<i>BURNER CLEANING</i> .....	6
<i>BURNER SHUTTER CLIP INSPECTION / ADJUSTMENT</i> .....	6
<i>IGNITOR / ELECTRODE CHECK</i> .....	7
<i>BURNER OPERATION CHECK</i> .....	7
<b>LIGHTING INSTRUCTIONS</b> .....	8
<b>TROUBLESHOOTING</b> .....	9
<i>IF FIRE PIT FAILS TO OPERATE PROPERLY</i> .....	9
<i>FLASH BACK</i> .....	9
<b>PARTS LIST</b> .....	10
<b>EXPLODED ILLUSTRATION</b> .....	11
<b>LIMITED WARRANTY</b> .....	12

- READ THE FOLLOWING INSTRUCTIONS CAREFULLY AND BE SURE YOUR FIRE PIT IS PROPERLY CARED FOR. FAILURE TO FOLLOW THESE INSTRUCTIONS MAY RESULT IN SERIOUS BODILY INJURY AND/OR PROPERTY DAMAGE. IF YOU HAVE QUESTIONS CONCERNING OPERATION, CONSULT YOUR DEALER, GAS APPLIANCE SERVICE REPRESENTATIVE OR YOUR GAS COMPANY.

- NOTE TO INSTALLER:

LEAVE THESE INSTRUCTIONS WITH THE CONSUMER AFTER INSTALLATION.

- NOTE TO THE CONSUMER:

RETAIN THESE INSTRUCTIONS FOR FUTURE REFERENCE.

\*FOR WARRANTY PURPOSES, PLEASE RECORD YOUR MODEL NUMBER, DATE OF PURCHASE & A COPY OF YOUR RECEIPT OR INVOICE IN THE BACK OF YOUR MANUAL ON PAGE 12.



# SAFETY INSTRUCTIONS

## READ CAREFULLY BEFORE OPERATION OF YOUR FIRE PIT

**WARNING:** Fuels used in gas or oil-fired appliances and the products of combustion of such fuels, contain chemicals known to the State of California to cause cancer, birth defects and/or reproductive harm. This warning is issued pursuant to California Health & Safety Code Sec. 25249.6.

### THE LOCATION FOR YOUR FIRE PIT

**DO NOT use your gas fire pit in garages, porches, breezeways, sheds or other enclosed areas.** Your gas fire pit is to be used **OUTDOORS ONLY**, with at least **21 inches** clearance from all sides of any combustible surface. The fire pit should not be placed under or on top of any surface that will burn. Do not obstruct the flow of combustion and ventilation air around the fire pit base.

**PROTECT CHILDREN:** Keep children away from the fire pit during use and until the fire pit has cooled after you are finished. Do not allow children to operate the fire pit.

**CAUTION:** The fire pit top does not fasten to the base. Do not attempt to lift and/or move the fire pit by the top as this could result in injury to yourself or others and/or irreparable damage to your burner gas lines. If your fire pit needs to be moved to a different location in which the top needs to be removed, please be sure to contact your fire pit dealer, licensed plumber or authorized service center for further details.

#### FOR YOUR SAFETY...

**DO NOT store or use gasoline or other flammable vapors and liquids in the vicinity of this or any other appliance.**

**DO NOT store empty or full spare gas cylinders and/or chemicals under or near this or any other appliance.**

**Keep the fuel hose away from hot surfaces. Avoid unnecessary twisting of the hose. Visually inspect the hose prior to each use for cuts, cracks excessive wear or other damage and replace if necessary.**

**NEVER test for gas leaks with a lighted match or open flame.**

**NEVER light fire pit before checking to ensure gas orifice is fully seated inside burner tube.**

**NEVER lean over burner while lighting fire pit.**

#### IF YOU SMELL GAS...

1. **Shutoff gas to the appliance at its' source.**
2. **Extinguish any open flame.**
3. **If gas odor persists, immediately contact your gas supplier.**

### CHECKING FOR GAS LEAKS

**NEVER TEST FOR GAS LEAKS WHILE THE FIRE PIT IS LIT!** Prior to the first use and at the beginning of each new season (or, if using LP, whenever gas cylinder is changed), it is a must that you check for gas leaks. Follow these steps:

1. Make a soap solution by mixing one part liquid detergent and one part water.
2. Turn off heat control valve, and then turn on gas at source.
3. Apply the soap solution to all gas connections: bubbles will appear in the soap solution if connections are not properly sealed. Tighten or repair as necessary.
4. If you have a gas leak that you cannot repair, turn off the gas at the source, disconnect fuel line from the fire pit and immediately call your fire pit dealer and gas supplier for professional assistance.



# SAFETY INSTRUCTIONS (CONT.)

## PROPANE GAS SAFETY

Your Propane gas fire pit is designed to operate on propane gas **ONLY**, at a pressure regulated at 11" water column (W.C.) when equipped with the correct propane orifice on the burner tube and a propane regulator on the supply line regulated at the residential meter.

Your propane gas fire pit is designed to be used with a standard 20 lb gas cylinder. In the United States, the gas cylinder must be constructed and marked in accordance with specifications of the US Department of Transportation for Propane Gas Cylinders.

**Always keep cylinder securely fastened in an upright position.**

**Never connect an unregulated propane gas cylinder to the fire pit.**

**Do not subject Propane cylinders to excessive heat.**

**CAUTION:** Never store a Propane gas cylinder inside a building or in the vicinity of any gas-burning appliance.

**WARNING:** The fire pit can operate on propane or natural gas. If you wish to convert to a different gas type, be sure to contact your fire pit dealer, licensed plumber or authorized service center for further details. Conversion kits are not sold to the general public and require a professional to perform service. Failure to properly convert a unit can cause serious injury to yourself and/or others, irreparable damage to your fire pit and void of warranty.

## SAFETY!

## BEWARE OF SPIDERS



**CAUTION: BURNER MUST BE INSPECTED AND CLEANED BEFORE FIRST USE.**

Spiders and small insects occasionally spin webs or make nests in the burner during warehousing, transit and/or after long periods of non-use. These webs can lead to a gas flow obstruction, which could result in a fire in and around the burner tube. This type of fire is known as "FLASH-BACK" and can cause serious damage to your fire pit and create an unsafe operating condition for the user. Although an obstructed burner tube is not the only cause of "FLASH BACK" it is the most common cause, and frequent inspection and cleaning of the burner is necessary.

## WARNING

- **Do not store a spare or disconnected liquid propane cylinder under or near this fire pit.**
- **A dented or rusty liquid propane cylinder may be hazardous and should be checked by your liquid propane provider.**
- **Do not use a liquid propane cylinder with a damaged valve.**

# SAFETY INSTRUCTIONS (CONT.)

## NATURAL GAS SAFETY

Your Natural Gas fire pit is designed to operate on natural gas ONLY, at a pressure of 4" water column (W.C.) regulated at the natural gas line. Check with your gas utility for local gas pressure and with your local municipality for building code requirements.

Check with your gas utility or with local building codes for instructions to install gas supply line, or call a licensed and knowledgeable installer.

**It is recommended that an "ON-OFF" shutoff valve be installed at the gas supply source:**

- Outdoors after gas line piping exits outside wall or before gas line piping enters ground.
- Indoors in the branch fuel line in an accessible location near the supply line.

Pipe sealing compound or pipe thread tape of the type resistant to the action of natural gas must be used on all male pipe thread. Apply compound or tape to at least the first three threads when making the connection.

Disconnect your gas fire pit from fuel source when the gas supply is being tested at high pressures. This appliance and its individual shutoff valve must be disconnected from the gas supply piping system during any pressure testing of that system at pressures in excess of 1/2 psig (3.5 kPa).

Turn off your gas fire pit when the gas supply is being tested at low pressures. This appliance must be isolated from the gas supply piping system by closing its individual valve.

**WARNING:** The fire pit can operate on propane or natural gas. If you wish to convert to a different gas type, be sure to contact your fire pit dealer, licensed plumber or authorized service center for further details. Conversion kits are not sold to the general public and require a professional to perform service. Failure to properly convert a unit can cause serious injury to yourself and/or others, irreparable damage to your fire pit and void of warranty.

## SAFETY!

## BEWARE OF SPIDERS



**CAUTION: BURNER MUST BE INSPECTED AND CLEANED BEFORE FIRST USE.**

Spiders and small insects occasionally spin webs or make nests in the burner during warehousing, transit and/or after long periods of non-use. These webs can lead to a gas flow obstruction, which could result in a fire in and around the burner tube. This type of fire is known as "FLASH-BACK" and can cause serious damage to your fire pit and create an unsafe operating condition for the user. Although an obstructed burner tube is not the only cause of "FLASH BACK" it is the most common cause, and frequent inspection and cleaning of the burner is necessary.

# CONNECTION INSTRUCTIONS

**PLEASE READ THESE INSTRUCTIONS BEFORE CONNECTING YOUR GAS FIRE PIT**

Your gas fire pit comes to you fully assembled. We strongly recommend professional installation and hookup of the gas fire pit.

**NOTE TO INSTALLER:** Leave these instructions with the consumer for future reference. The fire pit must be installed in accordance with all local building codes.

Refer to the following instructions and illustrations for typical gas supply connections. We strongly suggest professional installation and hook-up of the Gas fire pit.

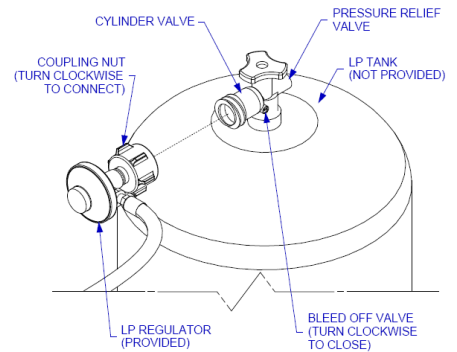
**IMPORTANT:** Before connecting fire pit to gas source, make sure the control knob is in the "OFF" position.

## PROPANE GAS CONNECTIONS

- In the United States, the LP gas pressure regulator and hose assembly supplied with this unit must be used without alteration. If this assembly needs to be replaced, use only the type 1 specified in the parts list supplied with this unit. Use a LP tank with a type 1 cylinder valve.

- Make sure the tank is firmly secured in an upright position.
- Turn the black coupling nut of the hose and regulator assembly in a clockwise direction.
- Make sure it is completely threaded onto the cylinder valve before turning gas supply on.

**PERFORM GAS LEAK CHECK – REFER TO PAGE 2**

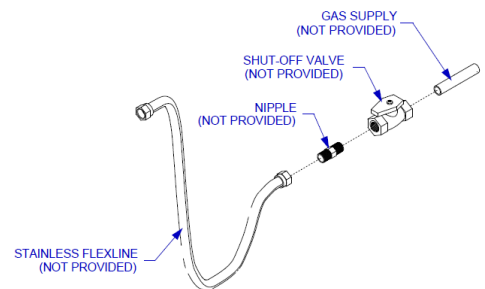


## NATURAL GAS CONNECTIONS

**IMPORTANT:** Bull Outdoor Products does not recommend the use of any quick connect fittings or lines to the unit. Use of these types of fittings or lines could cause low gas flow and greatly reduce the performance of the unit.

- Pipe sealing compound or pipe thread tape of the type resistant to the action of natural gas must be used on all male pipe thread.
- Apply compound or tape to at least the first three threads when making the connection.
- Remove plastic cap from valve.
- Attach stainless steel flex line 3/8" flare-female to the valve.
- Attached the other end of flex line to shut-off valve through a nipple.
- Attach a shut-off valve to gas supply pipe.

**PERFORM GAS LEAK CHECK – REFER TO PAGE 2**



# INSPECTING / CLEANING BURNER AND BURNER ORIFICE

# BULL

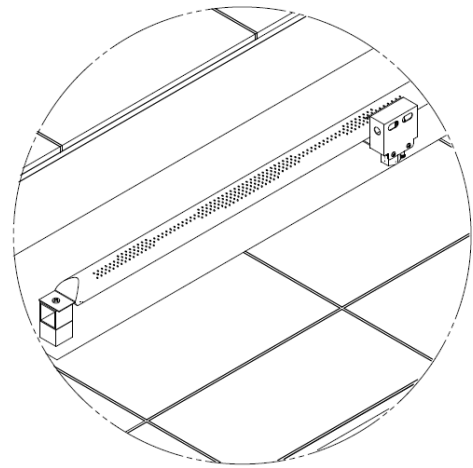
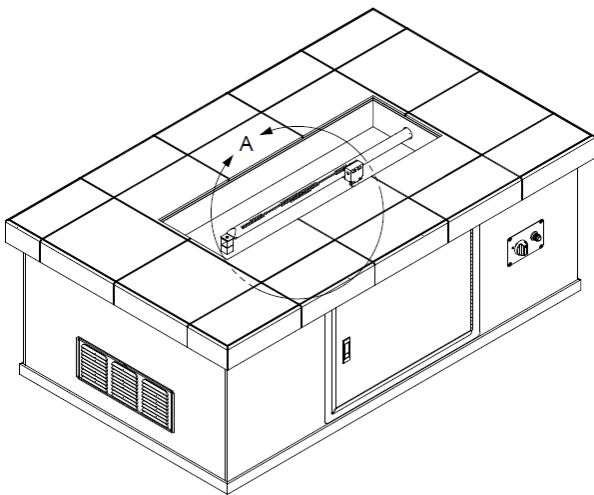


By following these cleaning procedures on a timely basis, your fire pit will be kept clean and working properly with minimum effort.

**CAUTION – Always turn off the gas supply and allow the burner to cool prior to clearing your fire pit.**

## **BURNER CLEANING**

1. Carefully remove the river rock or glass surrounding the burner. Bend a stiff wire (a light-weight coat hanger works well) and run the wire through each burner hole to clear any obstructions.

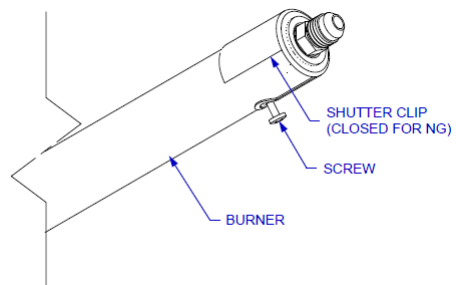
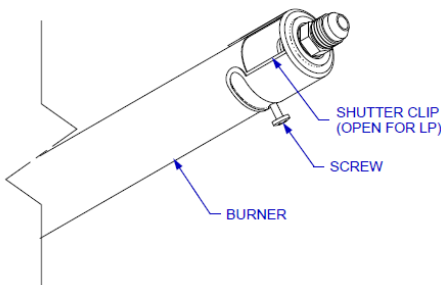


Detail A

2. Inspect the burner assembly for any openings caused by corrosion.

## **BURNER SHUTTER CLIP INSPECTION / ADJUSTMENT**

The burner is set to a factory setting; however the air to fuel mixture may need to be adjusted to accommodate different gas pressures. In order to adjust the air to fuel mixture, loosen the screw and rotate the shutter clip to the appropriate setting (see diagrams below). Tighten the screw. This should improve burner efficiency.



# INSPECTING / CLEANING BURNER AND BURNER ORIFICE (CONT.)

## **IGNITER / ELECTRODE CHECK**

With the control knob set to "OFF", check the igniter for presence of spark at electrode. Push in the igniter button fully until clicking is heard; this should produce a blue spark at the electrode tip.

## **BURNER OPERATION CHECK**

**NOTE:** Upon first assembly the gas lines and burner will be full of air. In order for the burner to light properly the lines must fill with gas. It may require several attempts at lighting the burner before you are successful.

1. With fire pit control knob in "OFF" position, turn on the Gas supply.
2. Light the burner by turning the control knob to high. Hold the igniter button in for 15 seconds. If the burner does not light, immediately return the control knob to "OFF", wait several minutes for the gas to disperse, and repeat the process. After the burner lights successfully, turn control knob to "OFF".
3. If the burner fails to light after several attempts, discontinue gas supply at source and re-inspect for obstructions to gas flow and orifice.



# LIGHTING INSTRUCTIONS

1. Become familiar with the safety guidelines at the front of the manual. **DO NOT SMOKE WHILE LIGHTING FIRE PIT OR CHECKING GAS SUPPLY CONNECTIONS!**
2. If your fire pit fuel source is a LP gas cylinder, check to see that cylinder is filled.
3. Check that the orifice is properly located inside the end of the burner tube.
4. Make sure all gas connections are securely tightened. **TEST FOR LEAKS WITH A SOAP SOLUTION, NEVER WITH A FLAME.** (Gas Leak Check instructions are on page 2).
5. Set the fire pit control knob to "OFF" and open gas supply, LP cylinder or Natural Gas Valve.
6. Light the burner by turning the control knob to high. Hold the igniter button in for 15 seconds. If the burner does not light, immediately return the control knob to "OFF", wait several minutes for the gas to disperse, and repeat the process.
7. Adjust the control knob to desired temperature.

**NOTE:** If igniter fails to produce a spark at the electrode tip, burner can be manually lit with a fireplace-type match.

**NOTE:** To light gas fire pit with a fireplace-type match, follow steps 1 through 5 above. Place lighted fireplace-type match or long-necked butane lighter flame near the burner ports on the right hand side. Rotate control knob to "HIGH" setting to release gas. Burner should light immediately. Adjust the burner to desired temperature.

**CAUTION:** DO NOT LEAVE FIRE PIT UNATTENDED WHILE IN USE.

**CAUTION:** If burner goes out during operation, close gas supply at source, and turn the control knob to "OFF". Wait five minutes before attempting to re-light (this allows accumulated gas fumes to clear).

**CAUTION:** Do not attempt to disconnect any gas fitting while your fire pit is in operation or while gas feed is on.

# TROUBLESHOOTING

## **IF FIRE PIT FAILS TO OPERATE PROPERLY**

# BULL



1. Turn off gas at source, turn control knob to “OFF”, and wait five minutes before trying again.
2. Check gas supply/connections.
3. Repeat lighting procedure.

If fire pit still fails to operate properly, **TURN “OFF” GAS AT SOURCE, TURN CONTROL KNOB TO “OFF”**, wait for fire pit to cool, and check the following:

### **a. Obstruction in gas line**

**CORRECTION:** Remove fuel line from fire pit. **DO NOT SMOKE!** Open gas supply for one second to blow any obstruction from fuel line. Close off gas supply at source and reconnect fuel line to fire pit.

### **b. Plugged orifice**

**CORRECTION:** Using a crescent wrench, carefully remove the orifice by unscrewing it from the burner. Gently clear any obstruction with a fine wire. Re-install the orifice into the burner. If an obstruction is suspected in gas valve, please contact your gas fire pit dealer or gas appliance service person for assistance.

### **If re-ignition is necessary**

While the gas fire pit is still hot, you must wait for a minimum of five minutes before commencing to re-ignite (this allows accumulated gas fumes to clear). If all checks/corrections have been made and gas fire pit still fails to operate properly, consult your fire pit dealer or gas appliance service person.

## **FLASH BACK**

When fire occurs in and around the burner tube, immediately turn off gas at its source and turn the control knob to “OFF”. Wait until the fire pit has cooled, then clean the burner tube and burner ports as described on page 6.

# PARTS LIST

MODEL #31044 RECTANGULAR FIRE PIT

REF #	PARTS #	DESCRIPTION	QTY	WARRANTY PERIOD
1	18096	STRAIGHT TUBE BURNER	1	1 Yr
2	89970	ACCESS DOOR WITH LOCK AND FRAME	1	1 Yr



## HOW TO ORDER REPLACEMENT PARTS

Please refer to the parts list on this page.

To make sure you obtain the correct replacement parts for your gas fire pit, the following information is required to assure getting the correct part.

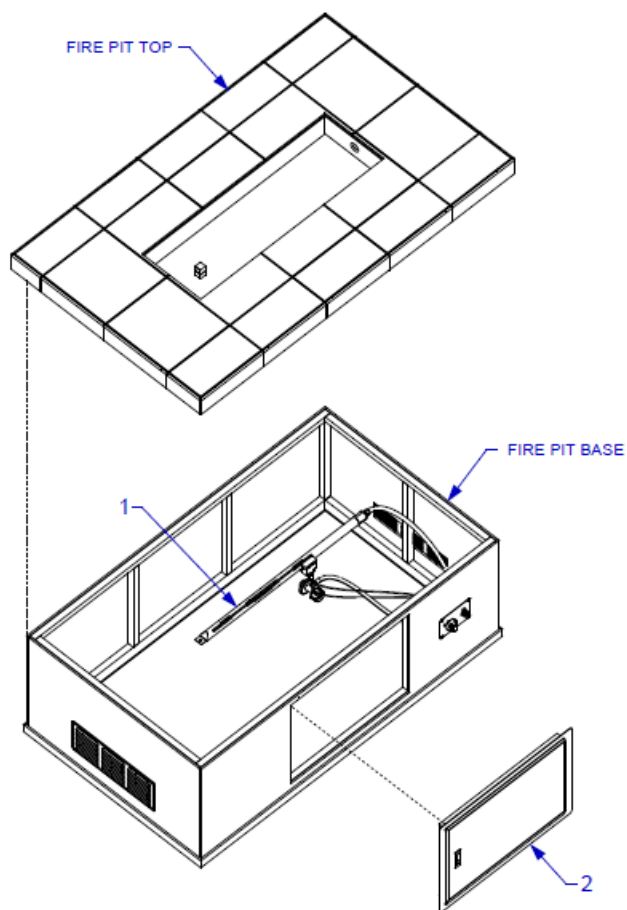
1. Type of gas hook up.
2. Reference number of replacement part needed.
3. Description of replacement part needed.
4. Quantity of parts needed.

**IMPORTANT:** Use only factory authorized parts. The use of any part that is not factory authorized can be dangerous. This will also void your warranty.

**IMPORTANT:** Keep this operating instruction manual for referral, and for replacement parts ordering.

**CAUTION:** A different gas orifice must be installed when converting from one type of gas to another. If you wish to convert at some later date, be sure to contact your gas supplier or fire pit dealer before making the conversion.

# EXPLODED ILLUSTRATION



# LIMITED WARRANTY

Bull Outdoor Products, Inc. warrants to the original purchaser at the original site of delivery with proof of purchase of each Outdoor Gas Fire Pit that when subject to normal residential use, it is free from defects in workmanship and materials for the periods specified below. This warranty excludes fire pits used in rental or commercial applications. It does not apply to rust, corrosion, oxidation or discoloration, which may occur due to moisture or overheating, unless the affected component becomes inoperable. It does not cover labor or labor related charges. There will be a shipping and handling charge for the delivery of the warranty part(s).

Our obligation under this warranty is limited to repair or replacement, at our option, of the product during the warranty period. The extent of any liability of Bull Outdoor Products, Inc., under this warranty is limited to repair or replacement. This warranty does not cover normal wear of parts, damage resulting from any of the following: negligent use or misuse of the product, use on improper fuel/gas supply, use contrary to operating instructions, or alteration by any person other than our factory service center. The warranty period is not extended by such repair or replacement.

**Warranty claim procedure:** If you require service or parts for your Bull fire pit, please contact our Warranty Service Center for factory direct assistance. Our hours of operation are 8AM to 4 PM PST. Our phone number is **(800) 521-2855** and our FAX number is **(909) 770-8627**. Please direct all correspondence to: **Bull Outdoor Products, Inc., 2483 W. Walnut Ave., Rialto, CA 92376**. ATTN: Warranty Service Center.

Product repair as provided under this warranty is your exclusive remedy. Bull Outdoor Products, Inc. shall not be liable for any incidental or consequential damages for breach of any express or implied warranty on its products. Except to the extent prohibited by applicable law, any implied warranty or merchantability or fitness for a particular purpose on this product to the duration of the above warranty. Some states do not allow the exclusion or limitation of incidental or consequential damages, or allow limitations on how long an implied warranty lasts, so the above limitations or exclusions may not apply to you. This warranty gives you specific legal rights, and you may have other rights, which vary from state to state.

**Model Number** \_\_\_\_\_

**Date of Purchase** \_\_\_\_\_

***\*Attach a copy of your receipt or invoice here\****

