



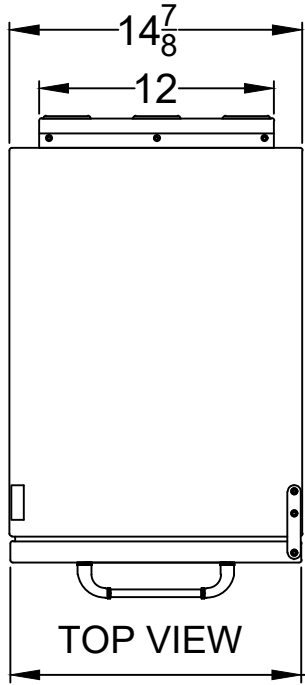
WWW.BULLBBQ.COM

**SPEC SHEET OUTLINE**

ITEM# 13200

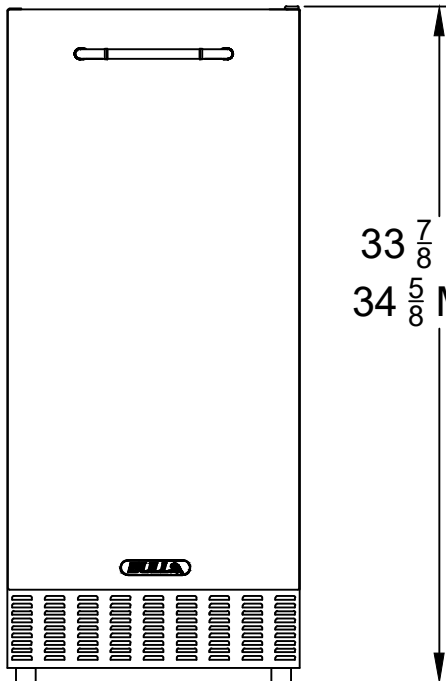
DESCRIPTION

OUTDOOR RATED ICE MAKER



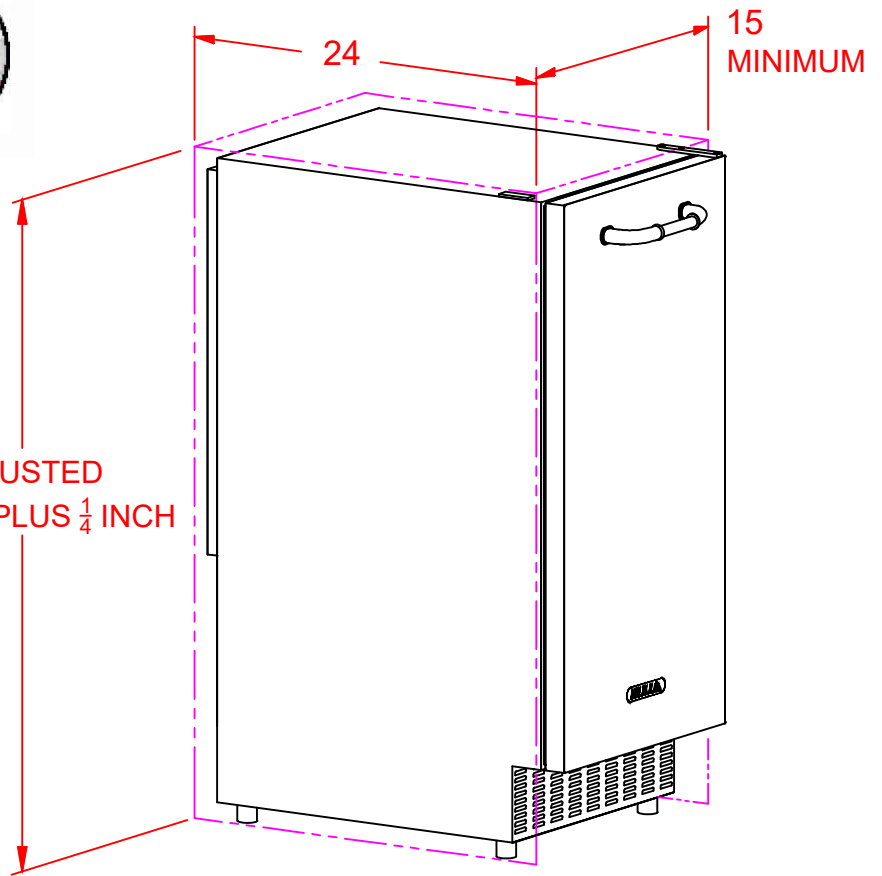
TOP VIEW

14 <sup>13</sup>/<sub>16</sub>  
(DOOR WIDTH)

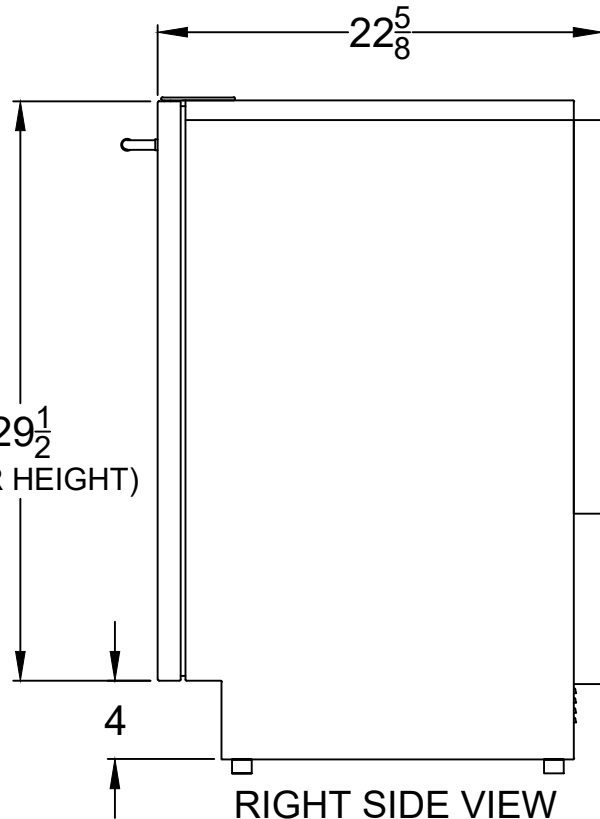


33 <sup>7</sup>/<sub>8</sub> MIN  
34 <sup>5</sup>/<sub>8</sub> MAX

FRONT VIEW



PERSPECTIVE VIEW  
INSTALLATION CUT OUT DIMENSIONS



RIGHT SIDE VIEW

**NOTES:**

- 1) ALL DIMENSIONS ARE IN INCH UNITS
- 2) REFER TO PERSPECTIVE VIEW FOR INSTALLATION CUTOUT DIMENSIONS.