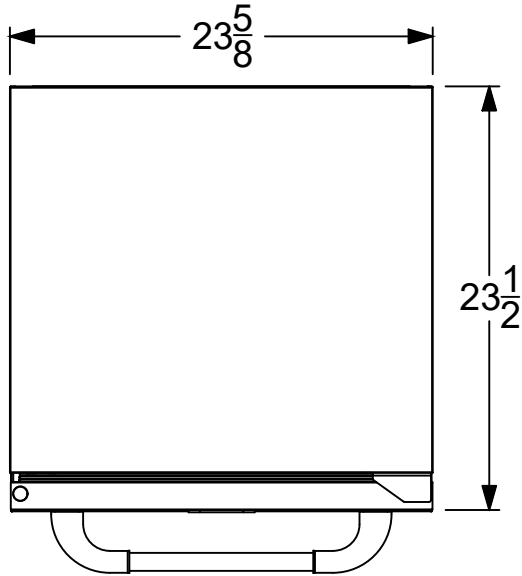


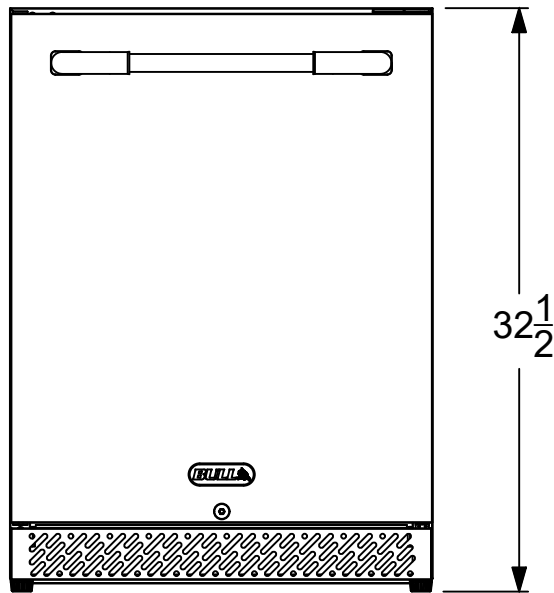


WWW.BULLBBQ.COM

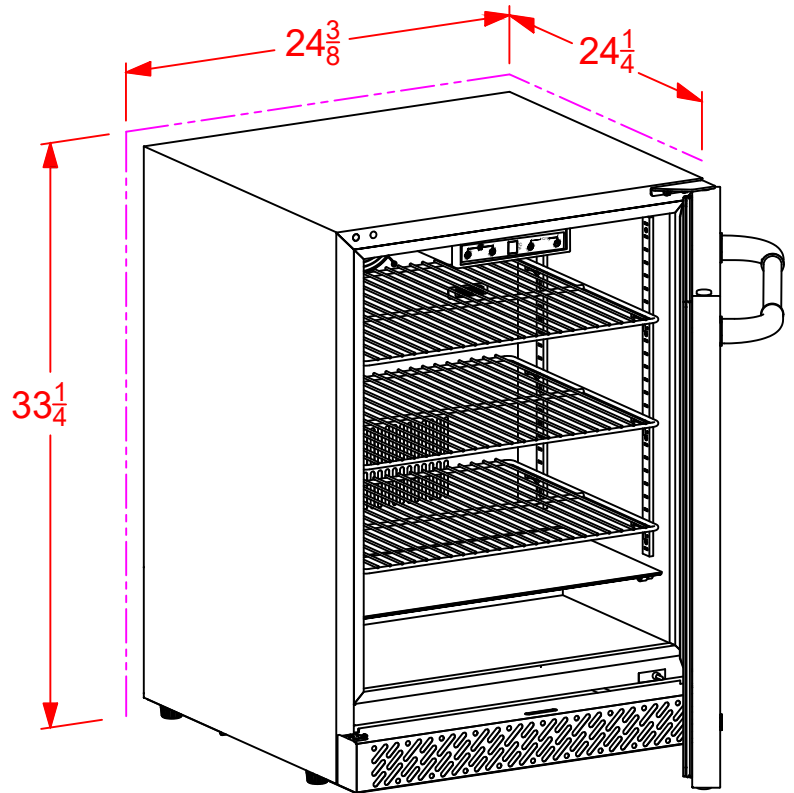
PREMIUM OUTDOOR
REFRIGERATOR SERIES II
SPEC SHEET
ITEM# 13700



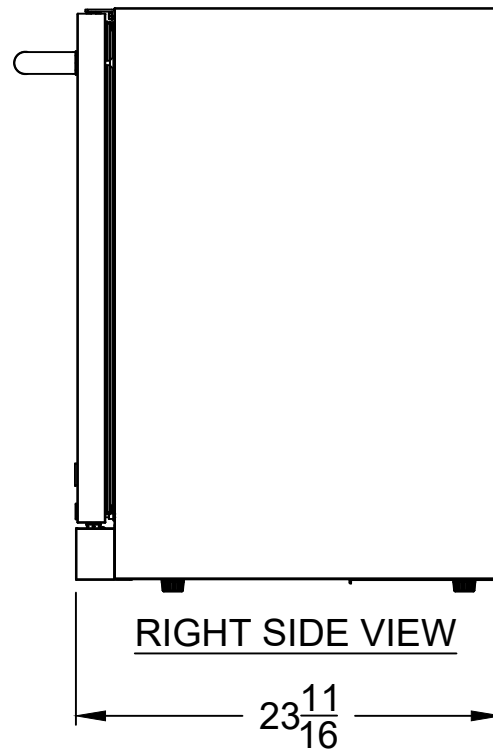
TOP VIEW



FRONT VIEW



PERSPECTIVE VIEW
WITH INSTALLATION
CUT OUT DIMENSIONS



RIGHT SIDE VIEW

NOTES:

- 1) ALL DIMENSIONS ARE IN INCH UNITS
- 2) REFER TO PERSPECTIVE VIEW FOR INSTALLATION CUTOUT DIMENSIONS.
- 3) FOR TRIM KIT FINISH FRAME USE BULL ITEM #13910