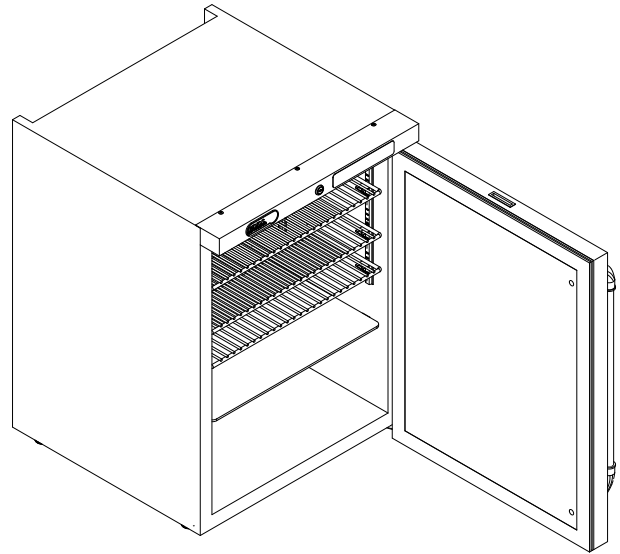
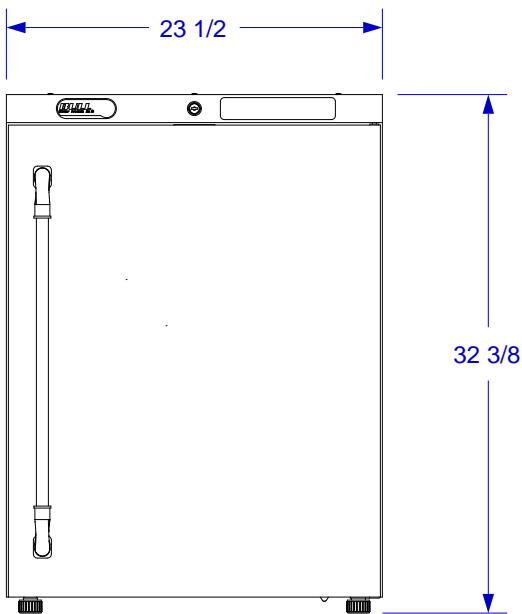




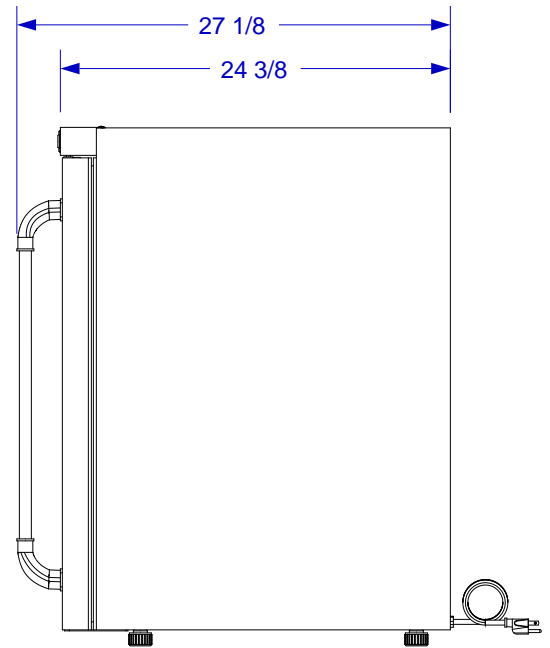
PREMIUM OUTDOOR REFRIGERATOR SPEC SHEET



ISOMETRIC VIEW
SCALE 3/4" = 1' 0"



FRONT VIEW



RIGHT SIDE VIEW

NOTES:

1. CUTOUT DIMENSIONS: 24 1/4" W X 33" H X 24 3/8" D
2. CUTOUT DIMENSIONS ARE FOR REFRIGERATOR ONLY. REFER TO PREMIUM OUTDOOR REFRIGERATOR FRAME SPEC SHEET FOR REFRIGERATOR FRAME CUTOUT DIMENSIONS.
3. SCALE: 1" = 1'-0"
4. REVISION: 10/2014