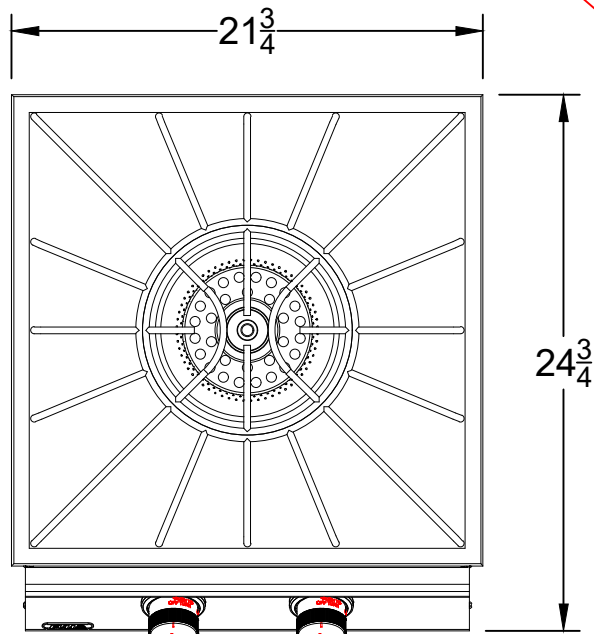
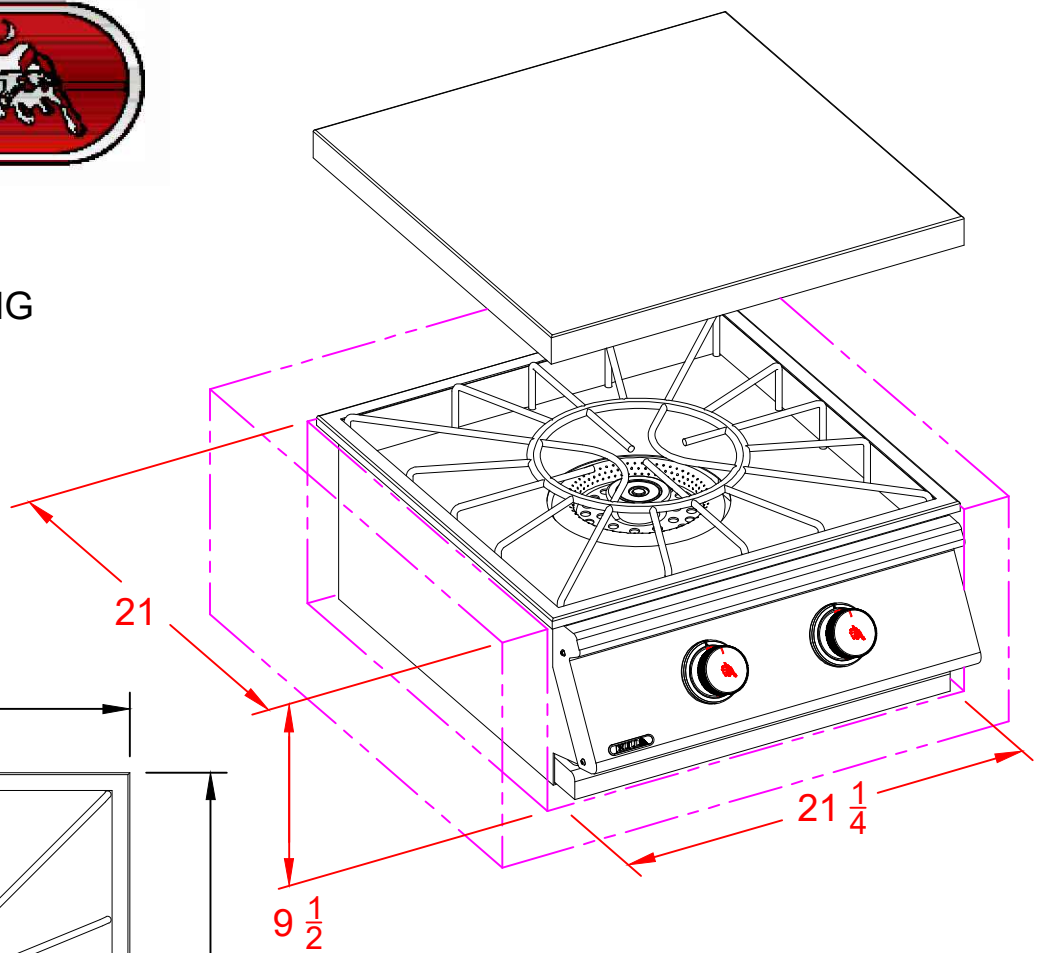


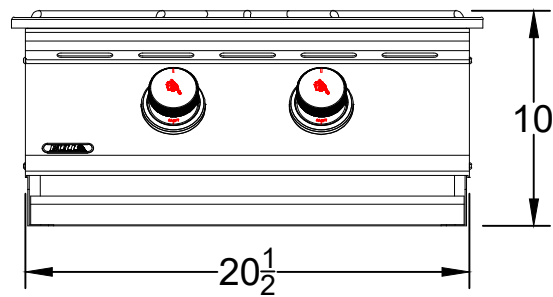


WWW.BULLBBQ.COM

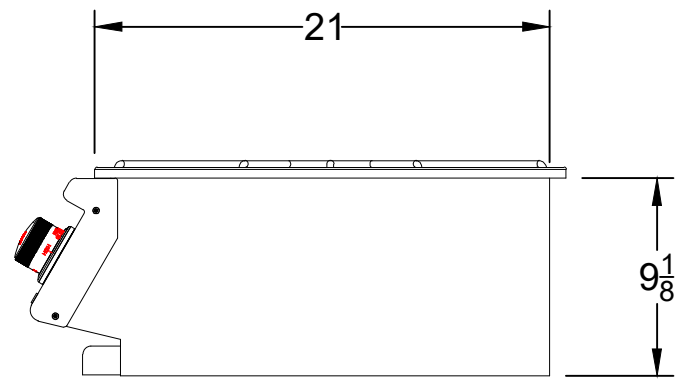
SPEC SHEET OUTLINE
ITEM# 96000 LP & 96001 NG
DESCRIPTION -
POWER BURNER



TOP VIEW



FRONT VIEW



RIGHT SIDE VIEW

PERSPECTIVE VIEW
WITH INSTALLATION
CUT OUT DIMENSIONS

NOTES:

- 1) ALL DIMENSIONS ARE IN INCH UNITS
- 2) REFER TO PERSPECTIVE VIEW FOR INSTALLATION CUTOUT DIMENSIONS.