

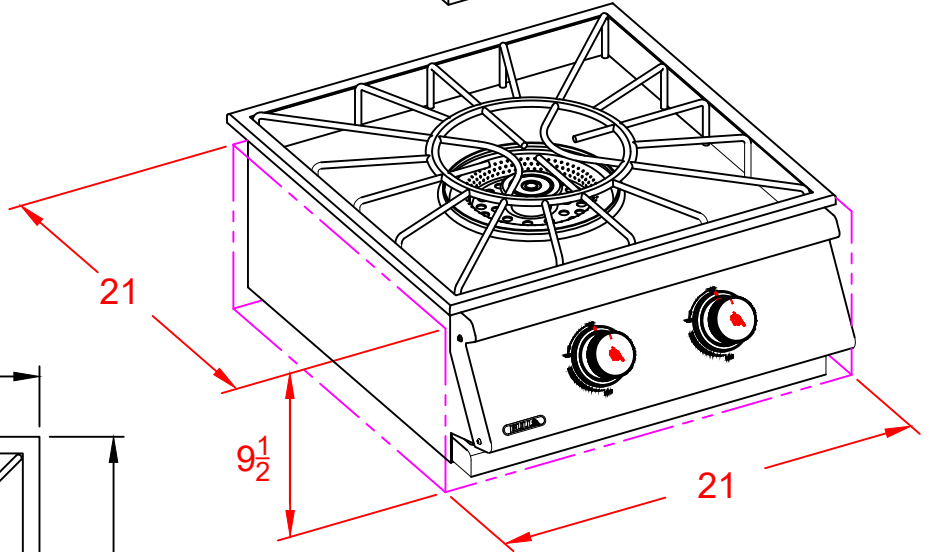
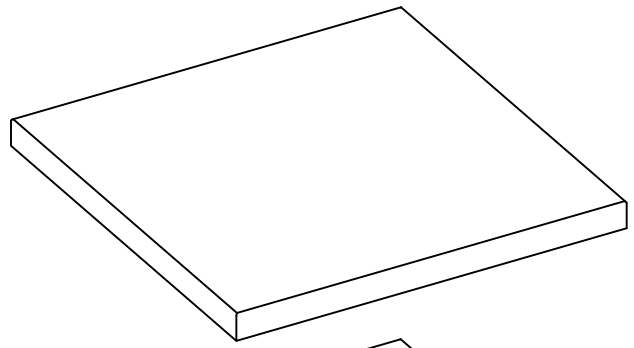


WWW.BULLBBQ.COM

POWER BURNER SPEC SHEET

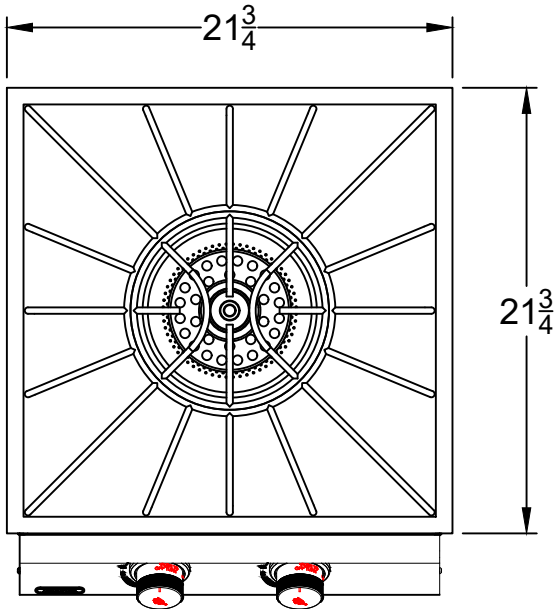
SKU 96000 LP

SKU 96001 NG

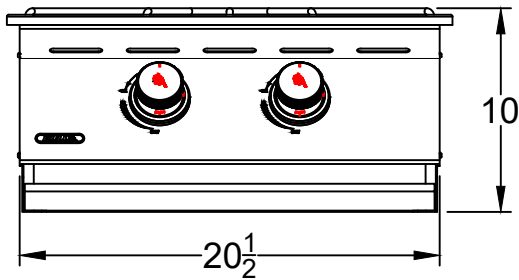


PERSPECTIVE VIEW

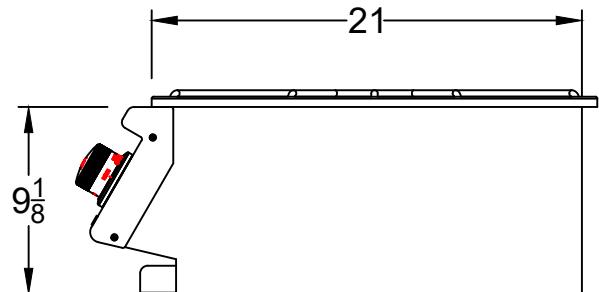
WITH INSTALLATION
CUT OUT DIMENSIONS



TOP VIEW



FRONT VIEW



RIGHT SIDE VIEW

NOTES:

- 1) ALL DIMENSIONS ARE IN INCH UNITS
- 2) REFER TO PERSPECTIVE VIEW FOR INSTALLATION CUTOUT DIMENSIONS.
- 3) FINISHING FRAME CAN BE OBTAINED FROM BULL, REFER TO SKU 96151