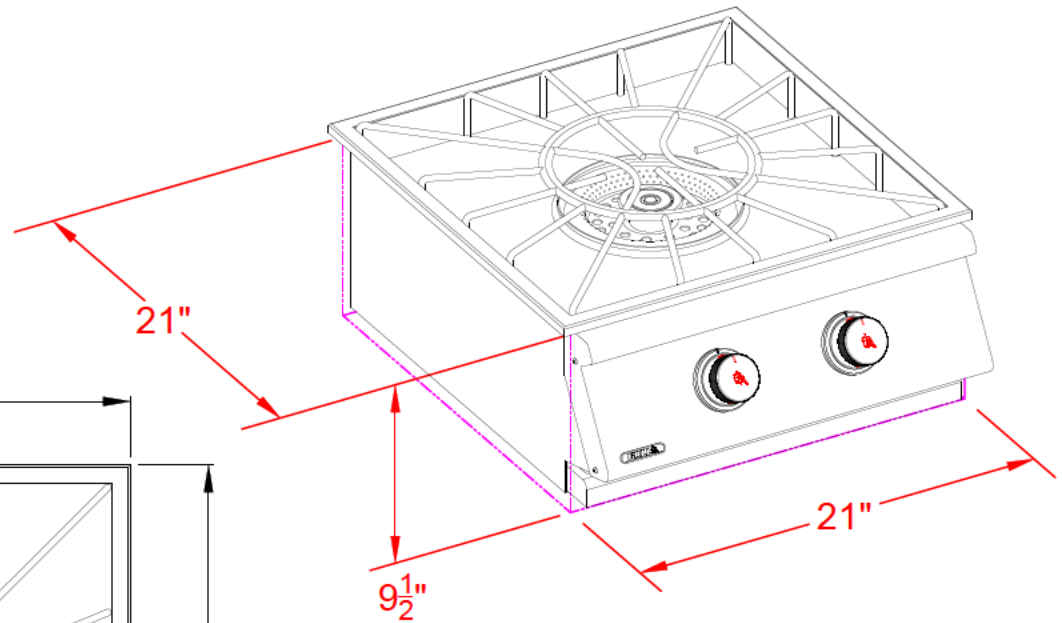
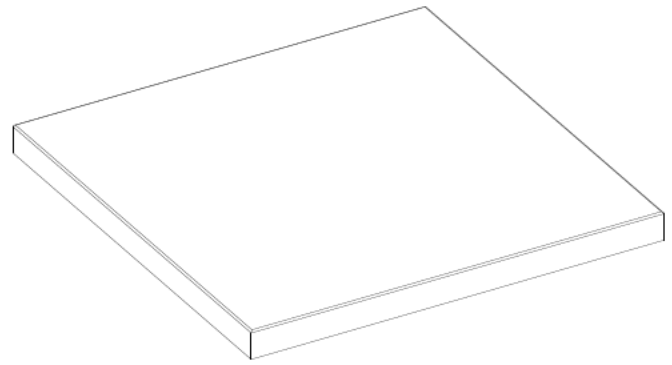


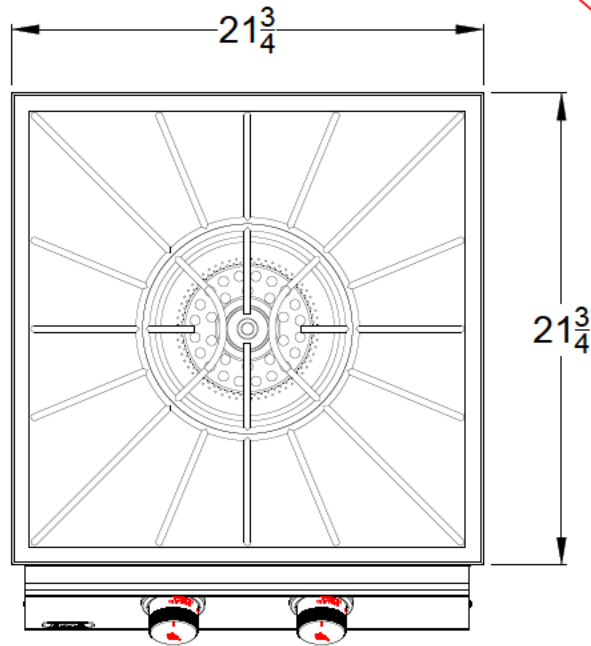


WWW.BULLBBQ.COM

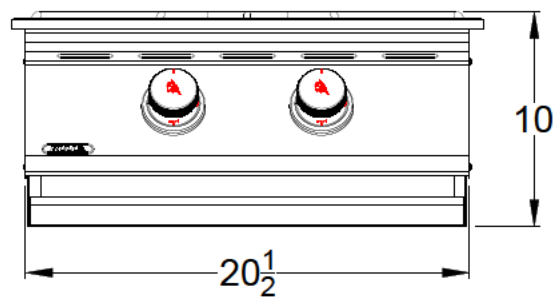
**SPEC SHEET**  
**ITEM# 96000 LP & 96001 NG**  
**POWER BURNER**



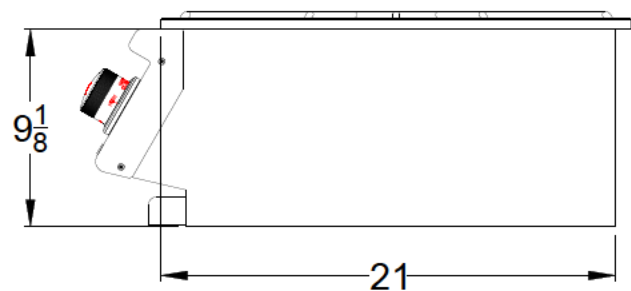
**PERSPECTIVE VIEW**  
WITH INSTALLATION  
CUT OUT DIMENSIONS



**TOP VIEW**



**FRONT VIEW**



**RIGHT SIDE VIEW**

**NOTES:**

- 1) ALL DIMENSIONS ARE IN INCH UNITS
- 2) REFER TO PERSPECTIVE VIEW FOR INSTALLATION CUTOUT DIMENSIONS.