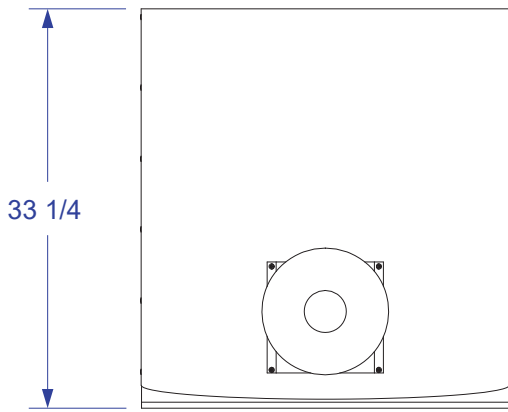
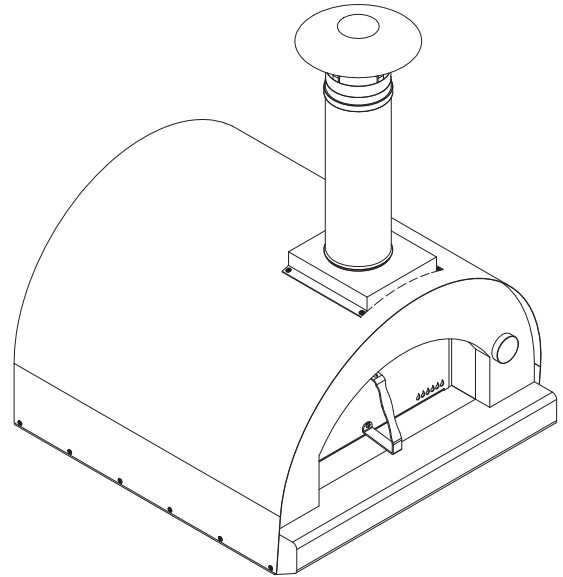




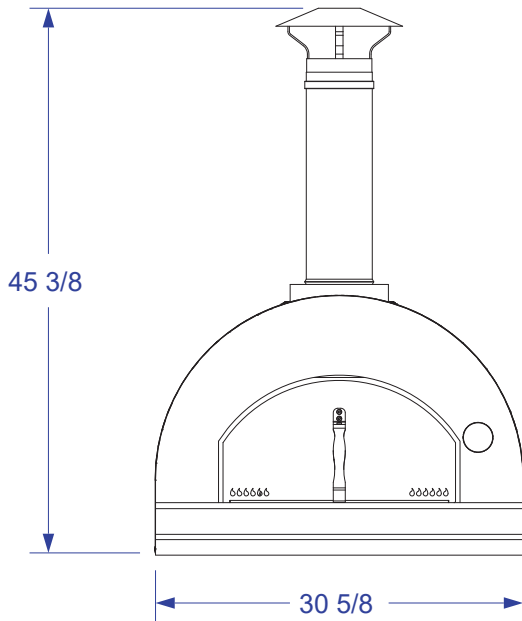
# LARGE PIZZA OVEN

## SPEC SHEET

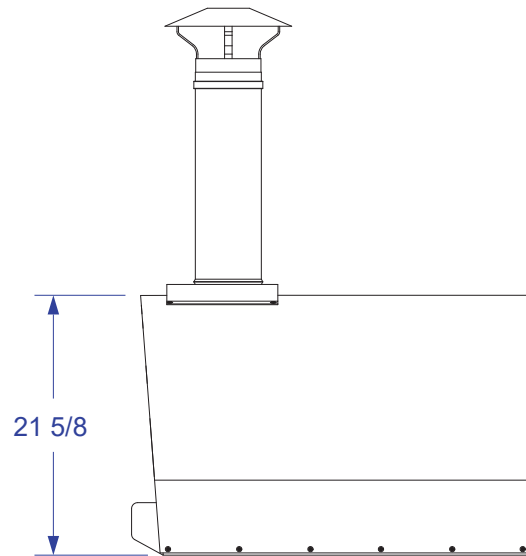
ITEM# 66024



TOP



FRONT



RIGHT

- NOTES:
1. CUTOUT DIMENSIONS: 32"W X 31"D X 4 3/4"H
  2. ISLAND MUST BE CONSTRUCTED OF NON-COMBUSTIBLE MATERIAL.
  3. SCALE: 3/4" = 1'-0"