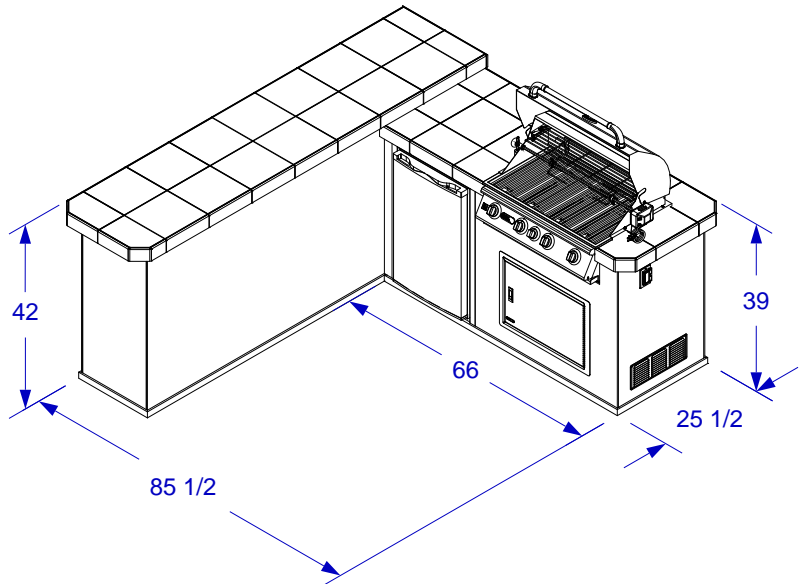
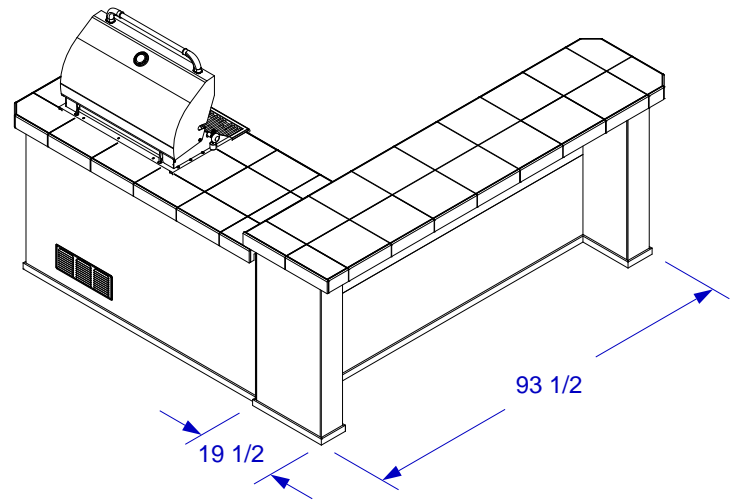




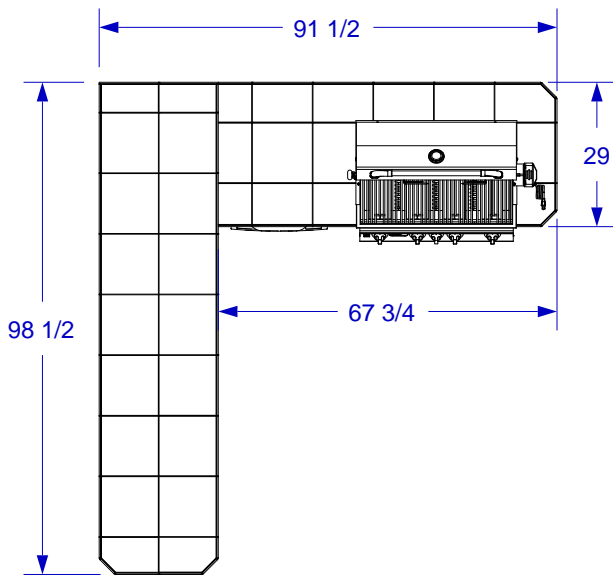
REVERSED MESQUITE Q ISLAND SPEC SHEET



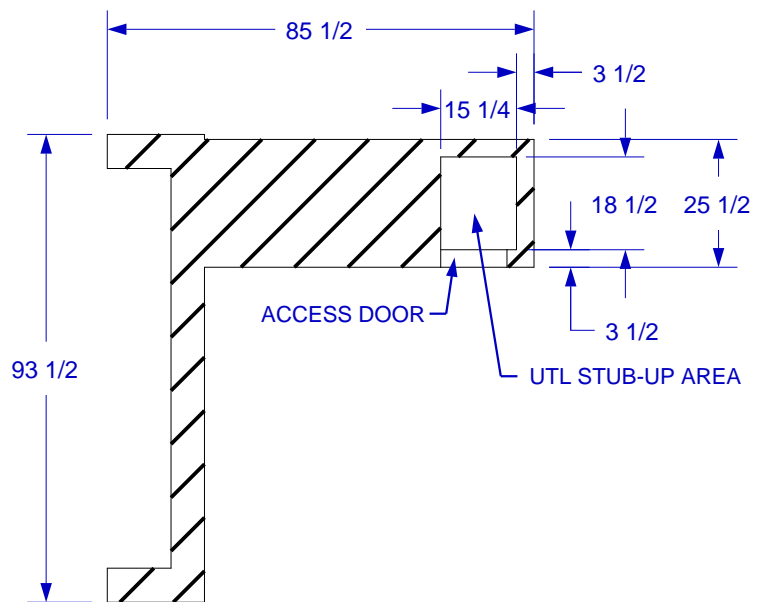
FRONT ISOMETRIC VIEW



BACK ISOMETRIC VIEW



TOP VIEW



STUB-UP DIAGRAM
(SEE NOTE #1)

- NOTES:**
1. 6" MAX HEIGHT ON ALL STUB-UPS.
 2. SHOWN WITH STANDARD 4-BURNER ANGUS GRILL.
 3. SCALE: 5/16" = 1'-0"
 4. REVISION: 10/2011