



[WWW.BULLBBQ.COM](http://WWW.BULLBBQ.COM)

## SPEC SHEET

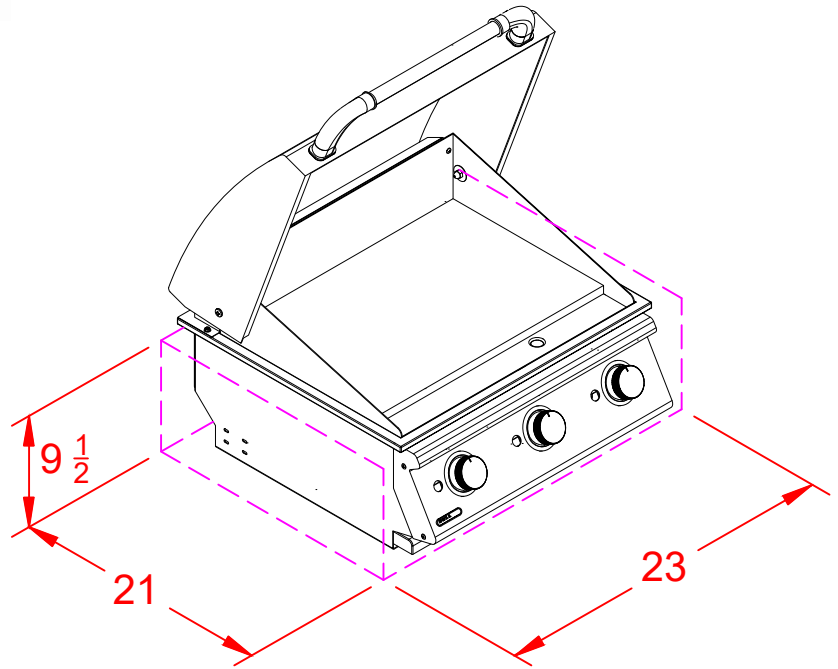
ITEM #

97008 LP

97009 NG

24 INCH

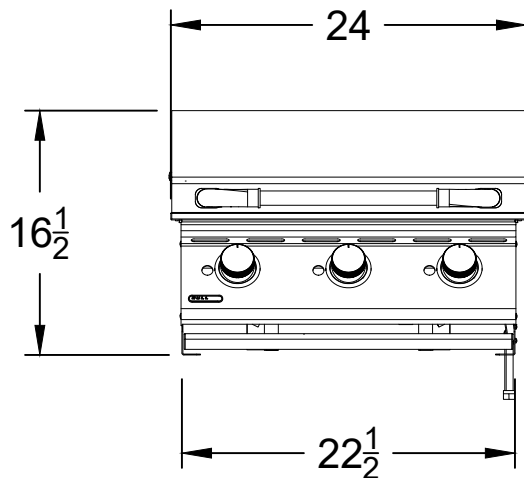
COMMERCIAL GRIDDLE



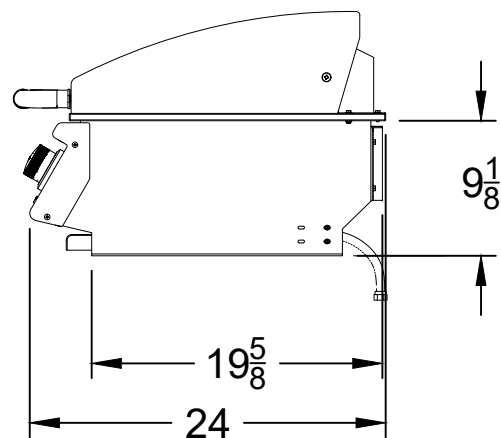
## PERSPECTIVE VIEW

WITH INSTALLATION  
CUT OUT DIMENSIONS

## TOP VIEW



## FRONT VIEW



## SIDE VIEW

### NOTES:

- 1) ALL DIMENSIONS ARE IN INCH UNITS
- 2) REFER TO PERSPECTIVE VIEW FOR INSTALLATION CUTOUT DIMENSIONS.

v.2022.11.28