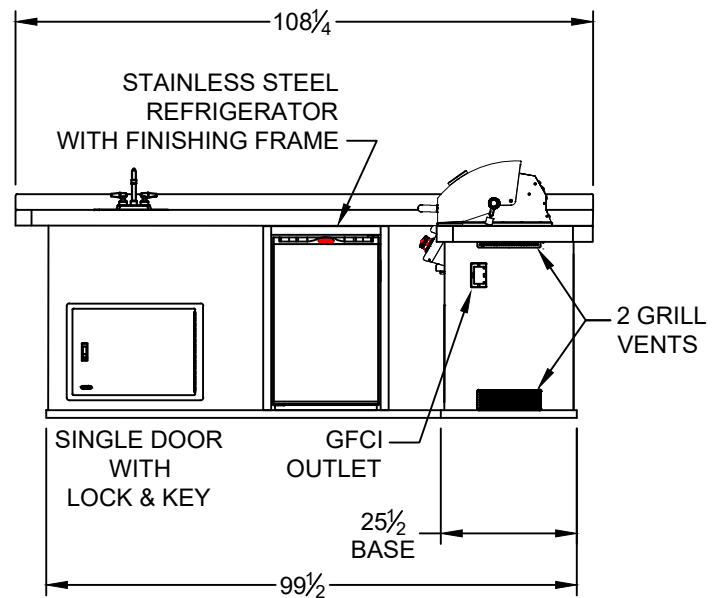
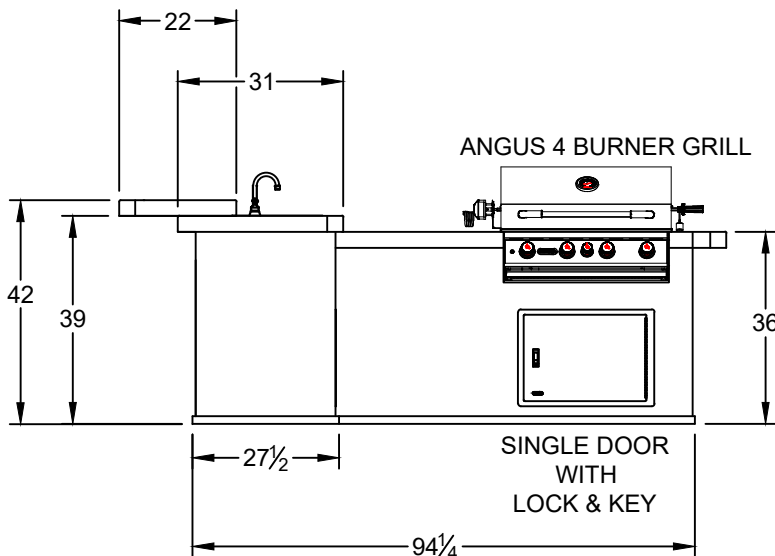
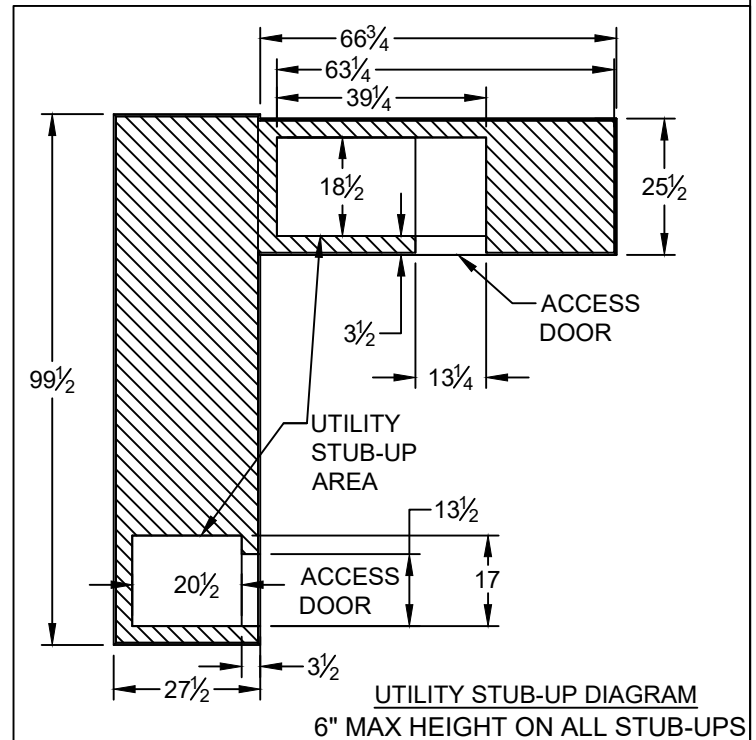
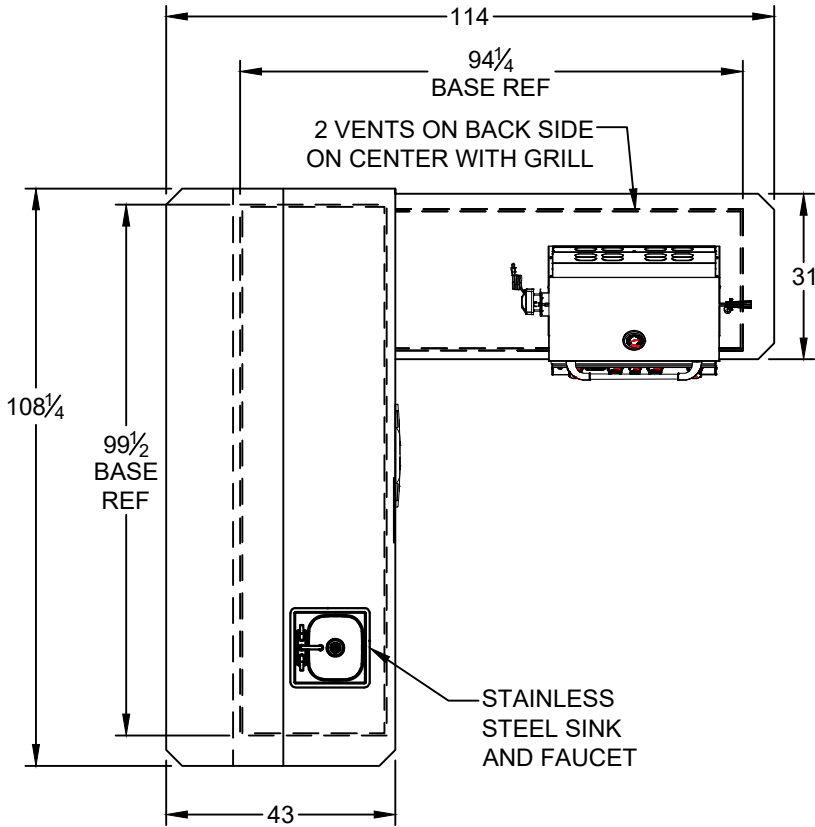
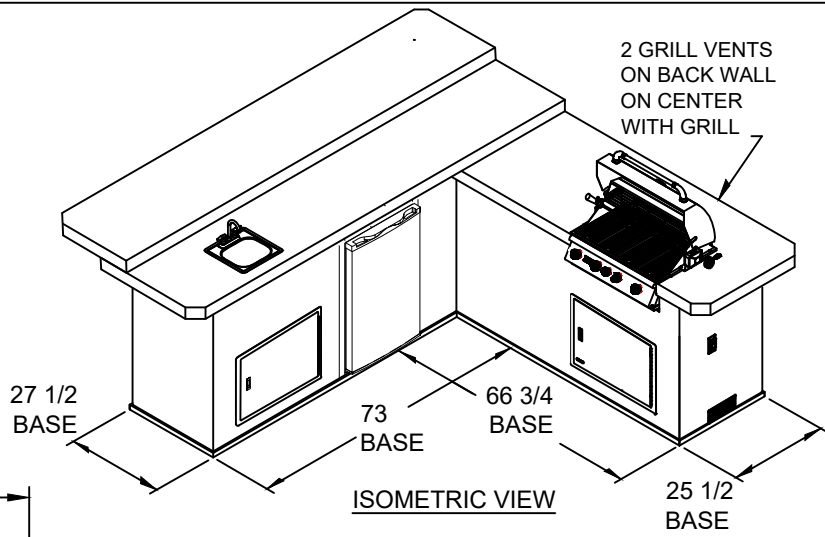




WWW.BULLBBQ.COM

# SPEC SHEET GOURMET Q RAISED BAR ISLAND



## NOTES:

- 1) ALL DIMENSIONS ARE INCH UNITS
- 2) FOR ROCK FINISHES, ADD 1 1/2" ON ALL BASE SIDES.
- 3) SHOWN WITH STANDARD 4-BURNER ANGUS GRILL.