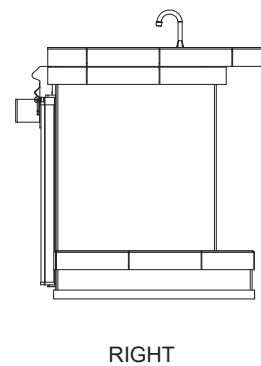
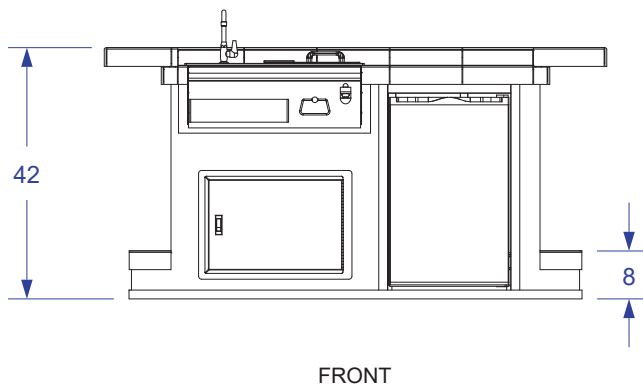
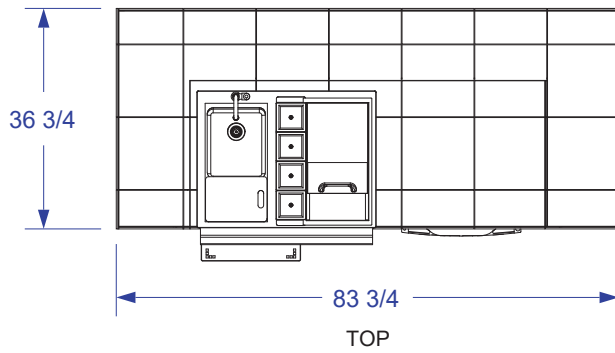
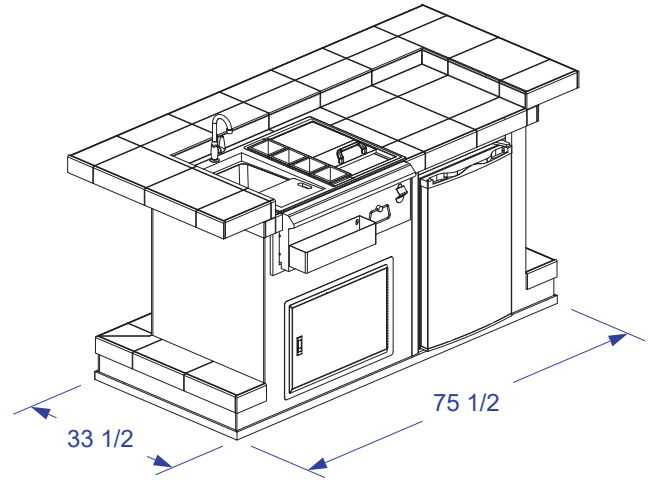




ENTERTAINERS BAR SPEC SHEET



NOTES:

1. FOR ROCK FINISHES, ADD 1 1/2" ON ALL BASE SIDES.
2. 6" MAX HEIGHT ON ALL STUB-UPS.
3. SCALE: 3/8" = 1'-0"