



Diablo Cart Assembly Instructions

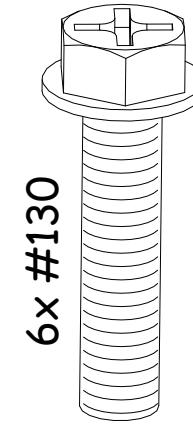
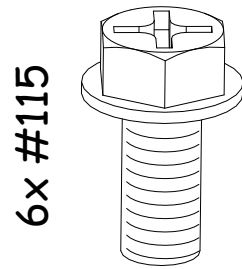
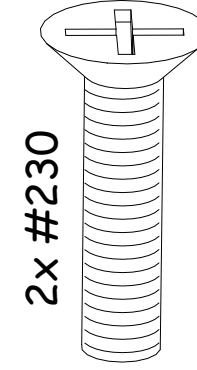
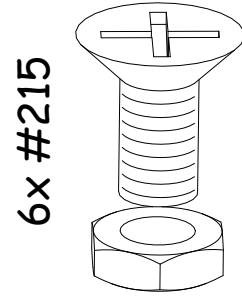
#62725CE - Diablo Cart Side Adapters



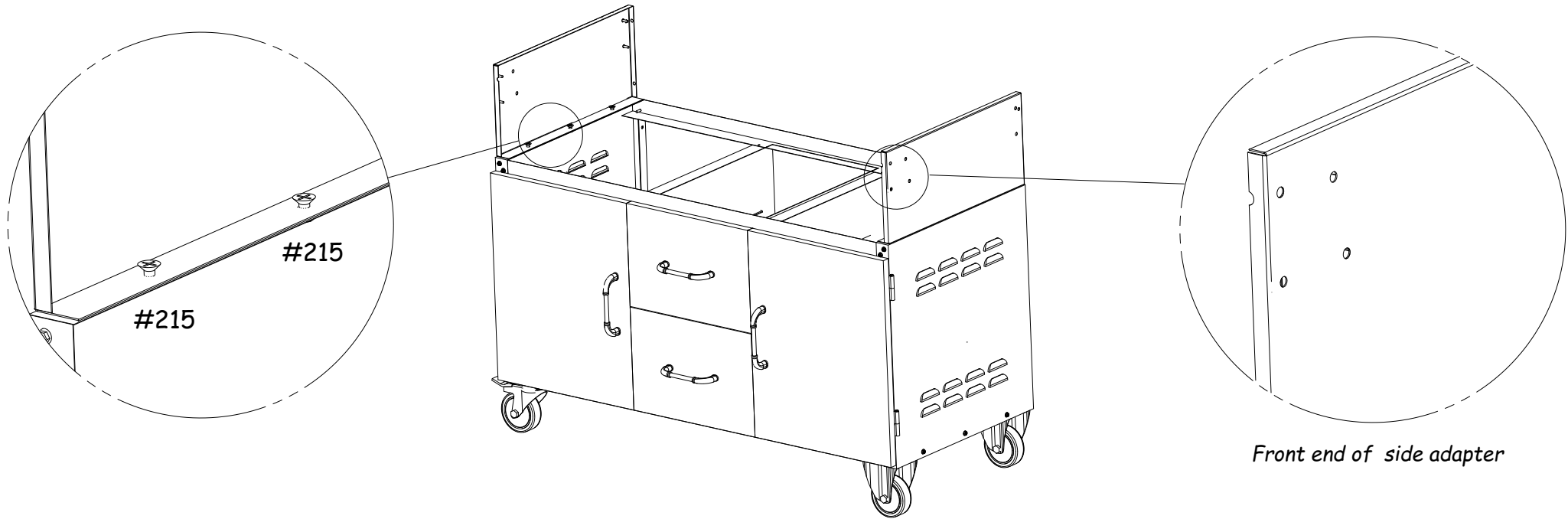
YouTube Video Guide



Screws Required

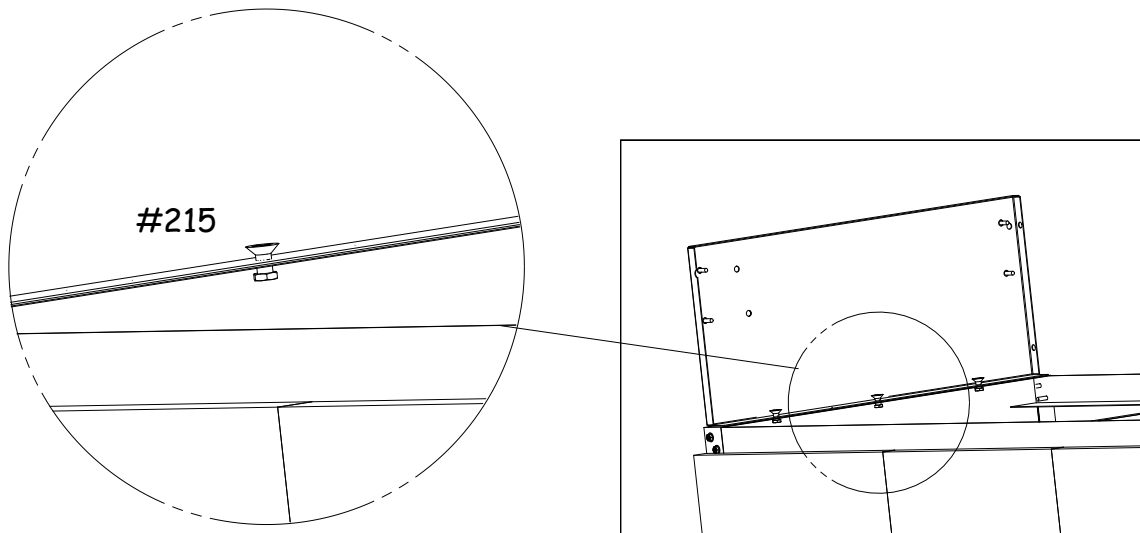


1 Attach the side adapters to the cart bottom using 3x #215 screws for either side

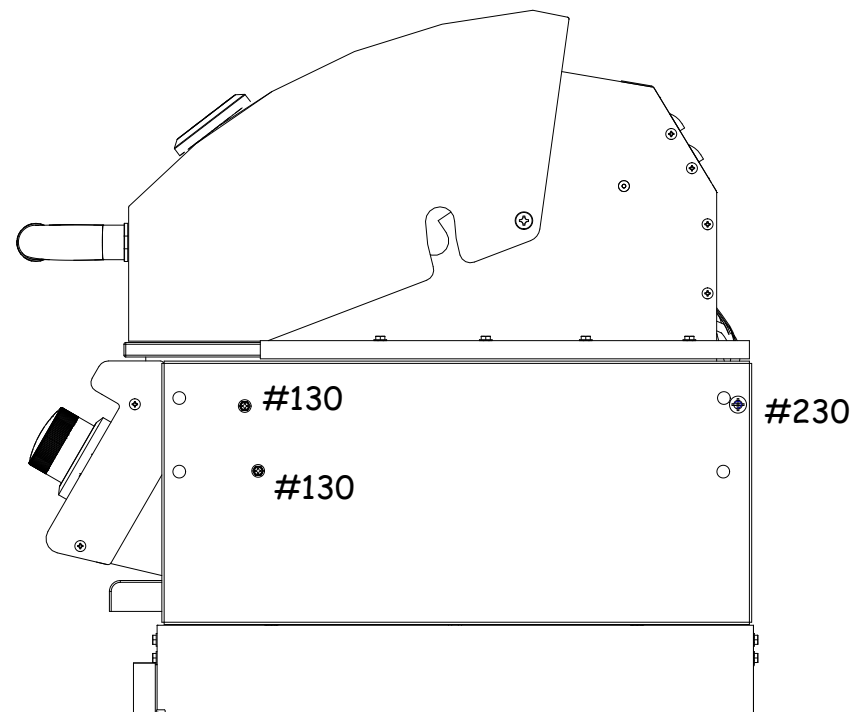
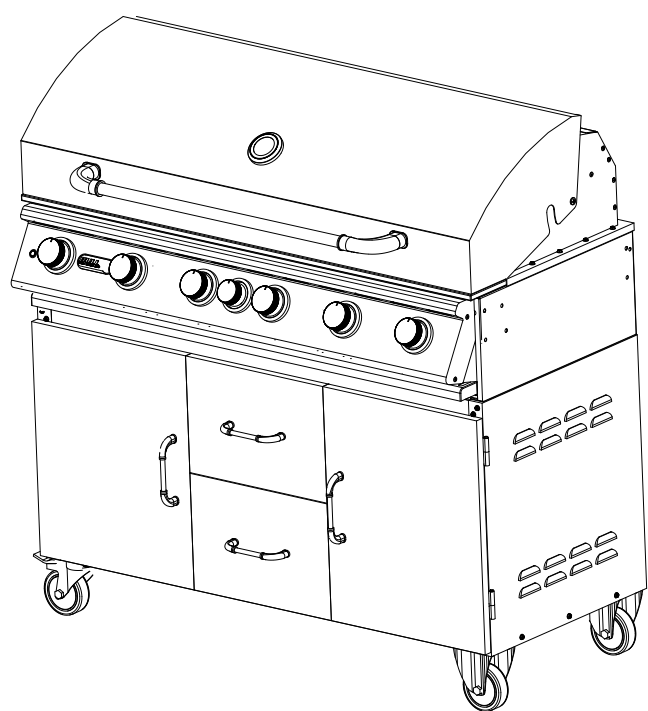


Front end of side adapter

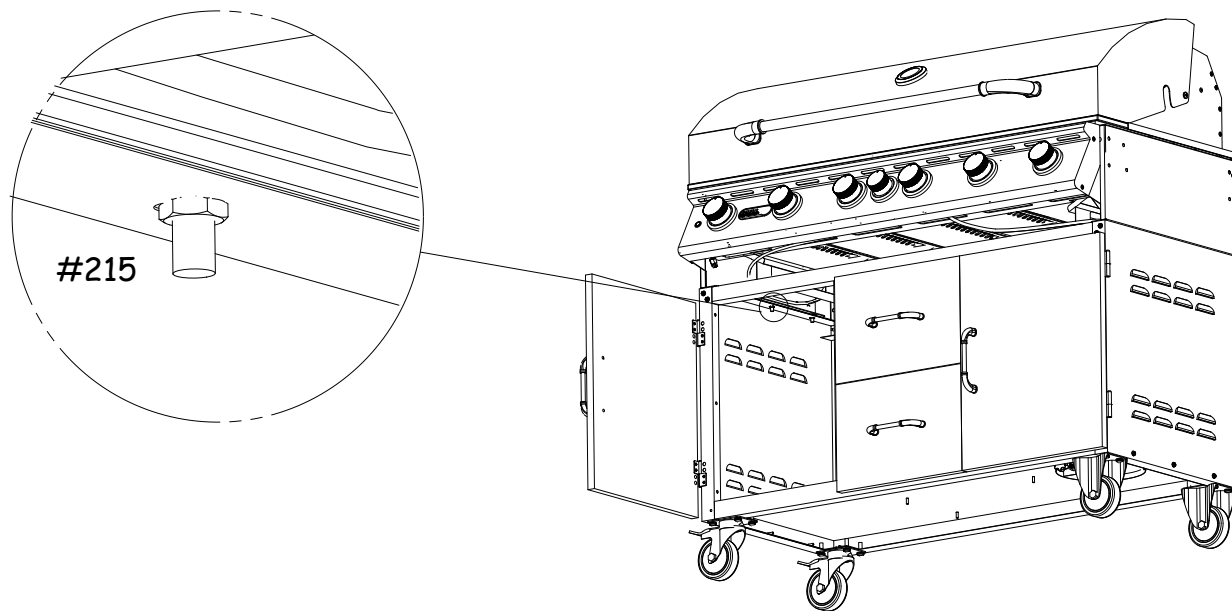
2 Leave screws loose to allow Diablo Grill Head room to slide on



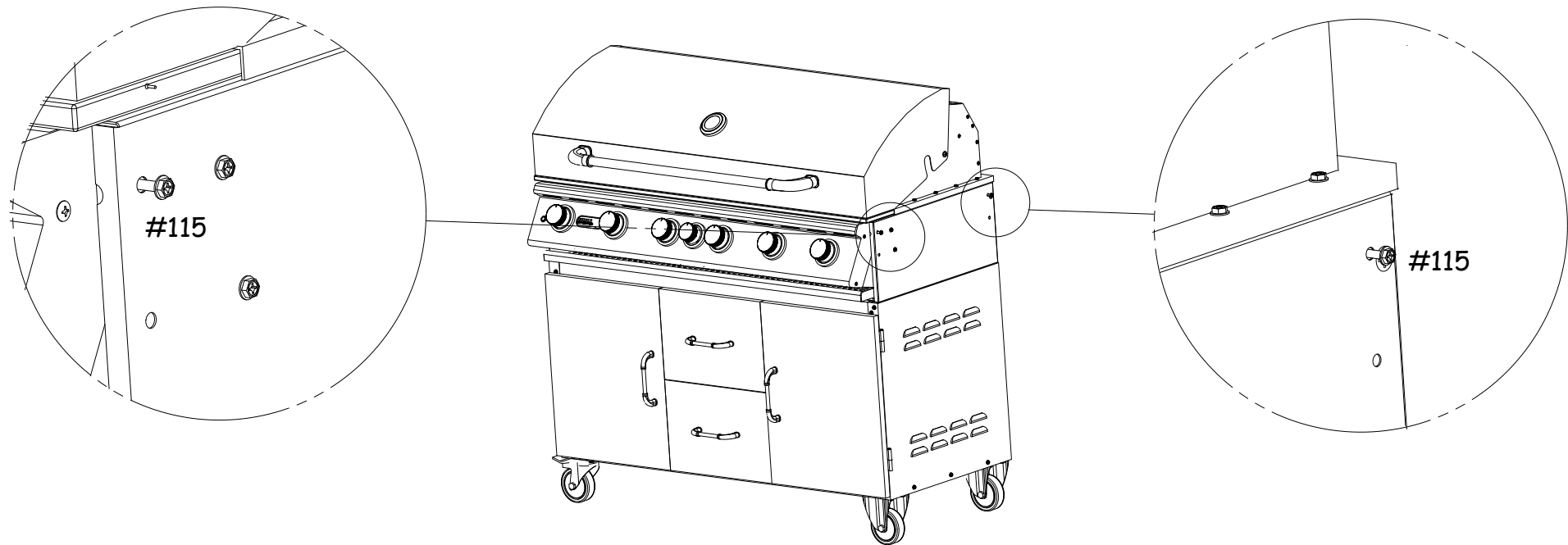
- 3** Place Diablo Grill Head on cart bottom and secure to side adapters using screws indicated



- 4** Ensure Diablo Grill Head is placed properly over screw heads and tighten all 6x #215 screws



5 Attach 2x #115 as shown. Do NOT tighten.



6 Slide the side shelf over the screws and tighten. Add #115 and #130 as shown to secure shelf.

