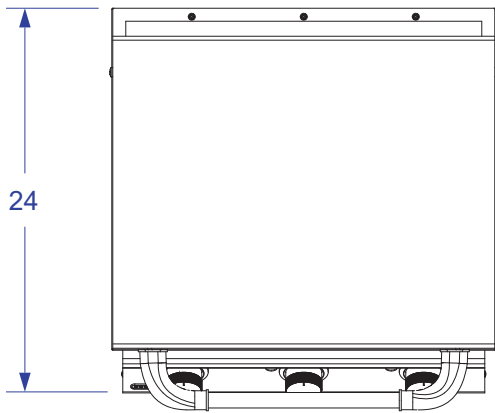
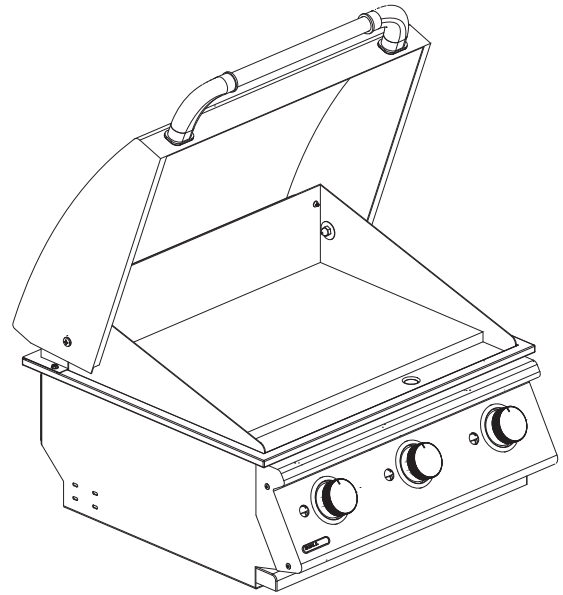




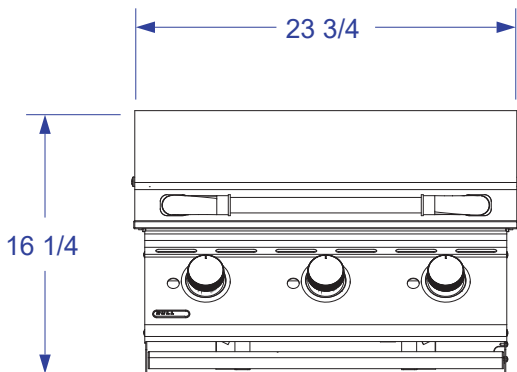
# GRIDDLE SPEC SHEET

ITEM# 97008 LP

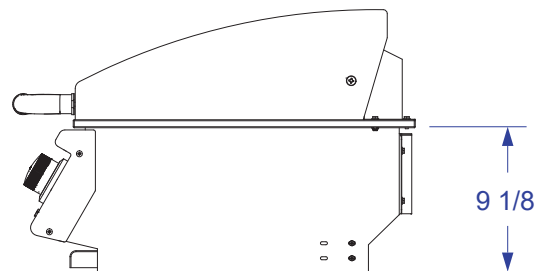
ITEM# 97009 NG



TOP



FRONT



RIGHT

**NOTES:**

1. CUTOUT DIMENSIONS: 22 7/8"W X 21"D X 9 1/2"H
2. ISLAND MUST BE CONSTRUCTED OF NON-COMBUSTIBLE MATERIAL.
3. SCALE: 1 1/4" = 1'-0"