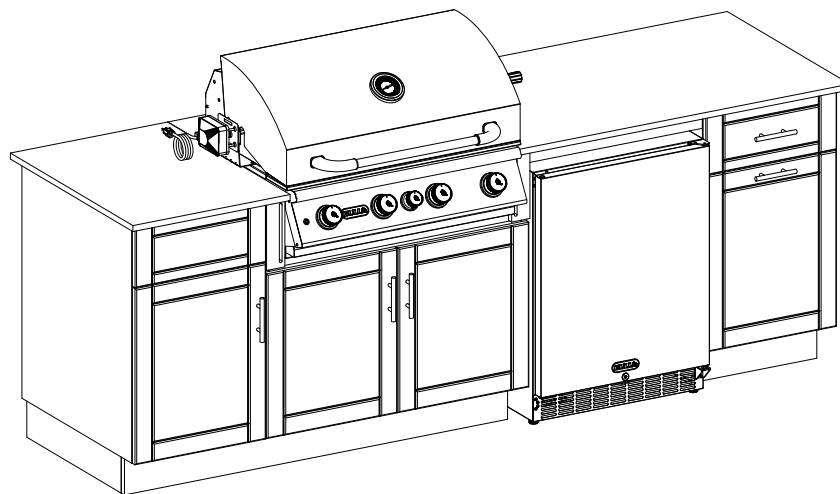


# DuraBULL™



How to install video

## Installation Guide

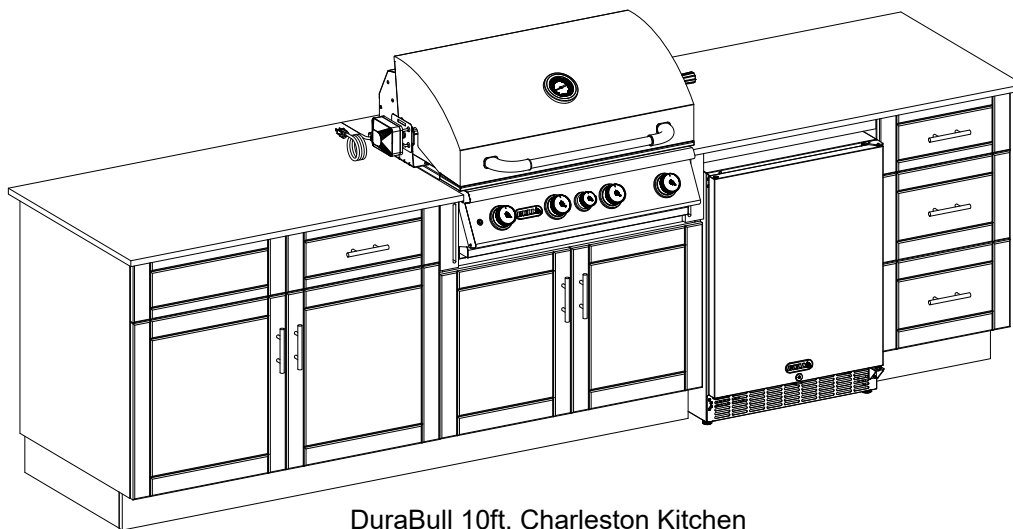


DuraBull 8ft. Myrtle Beach Kitchen

SKU # 15910 (Dune Base w/ Coffee Brown Granite)

SKU# 15911 (Symphony Blue Base w/ Galaxy White Granite)

SKU # 15912 (Charcoal Base w/ Midnight Black Granite)



DuraBull 10ft. Charleston Kitchen

SKU # 15913 (Dune Base w/ Coffee Brown Granite)

SKU# 15914 (Symphony Blue Base w/ Galaxy White Granite)

SKU # 15915 (Charcoal Base w/ Midnight Black Granite)

**\*\*Cabinets can only be used with Bull grills\*\***

Applicable Models

Angus #47628/47629

Lonestar #87048/87049

Outlaw #26038/26039

**Use of any other grill will void the warranty and cause potential damage to the cabinets.**

version2024.07.25

# TABLE OF CONTENTS

Parts List (8' Myrtle Beach Kitchen).....	2
Parts List (10' Charleston Kitchen).....	3
Tools Required.....	4
Cabinetry Layouts.....	5
Prepping Cabinets.....	6
Installing Cabinet Legs.....	7
Standing the Cabinets Upright.....	8
Leveling the Cabinets.....	9
Securing the Cabinets Together.....	10
Adding 24" Spacing For Refrigerator.....	11
Adding Refrigerator Panel.....	12
Adding Front Filler Piece for Premium Refrigerator.....	13
Adding Front Filler Piece for Standard Contemporary Refrigerator..	14
Toe Kick Preparation.....	15
Front Toe Kick Preparation & Installation.....	16
Side Toe Kick Installation.....	17
Toe Kick Installation Continued.....	18
Adding Optional Cabinet Wall Filler Strips.....	19
Handle Installation.....	20
Countertop Installation.....	21
Adhering the Countertop to the Cabinets.....	22
Countertop Continued.....	23
Grill and Refrigerator Installation.....	24
Hinge Adjustment.....	25
Cabinet Cleaning and Care.....	26
Warranty.....	27

# Parts List

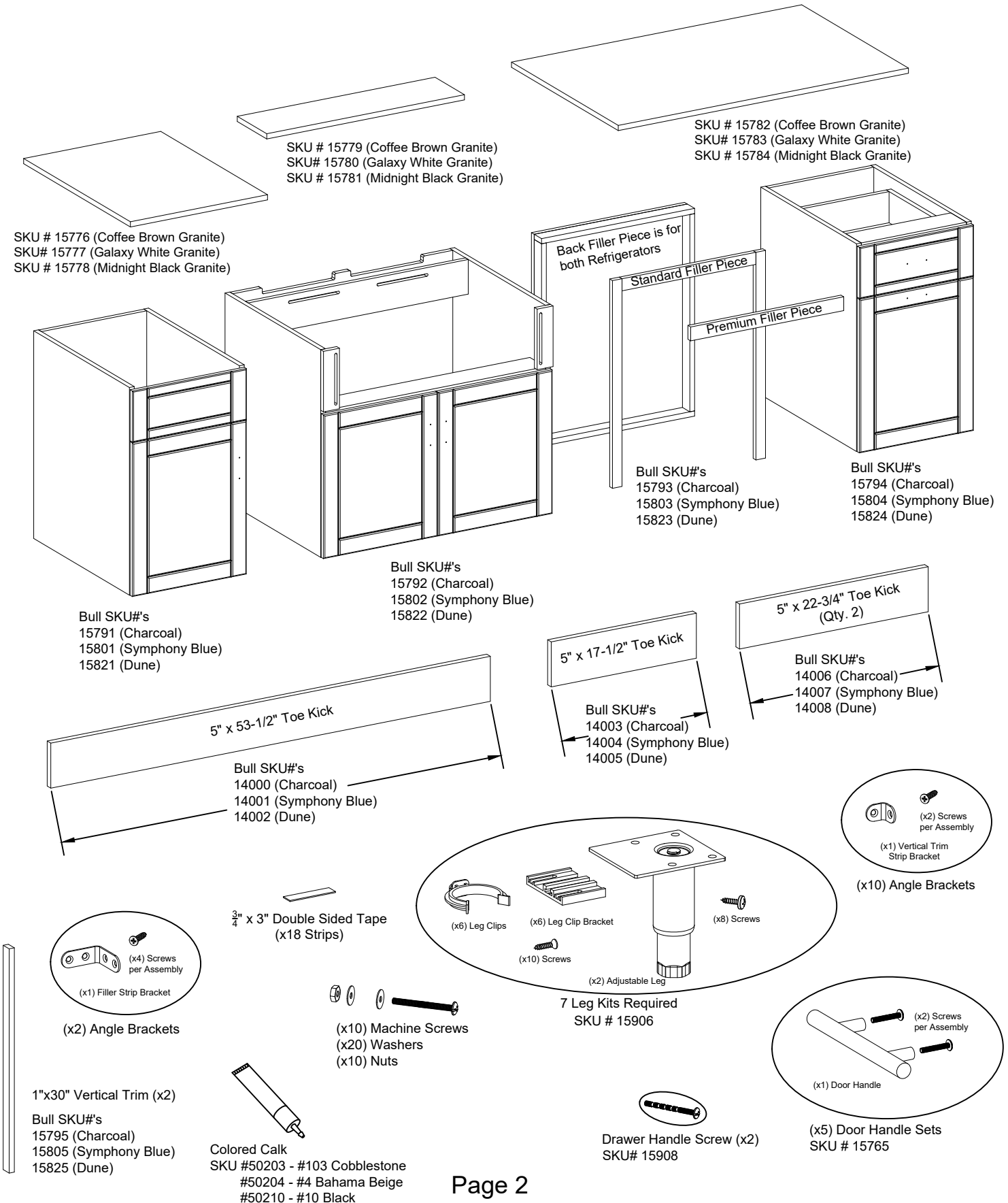
## DuraBull 8ft. Myrtle Beach Kitchen

SKU # 15910 (Dune Base w/ Coffee Brown Granite Kit)

SKU# 15911 (Symphony Blue Base w/ Galaxy White Granite Kit)

SKU # 15912 (Charcoal Base w/ Midnight Black Granite Kit)

Identify your model using page 5. Once identified, begin the cabinet layout by referring to the sku #'s.



# Parts List

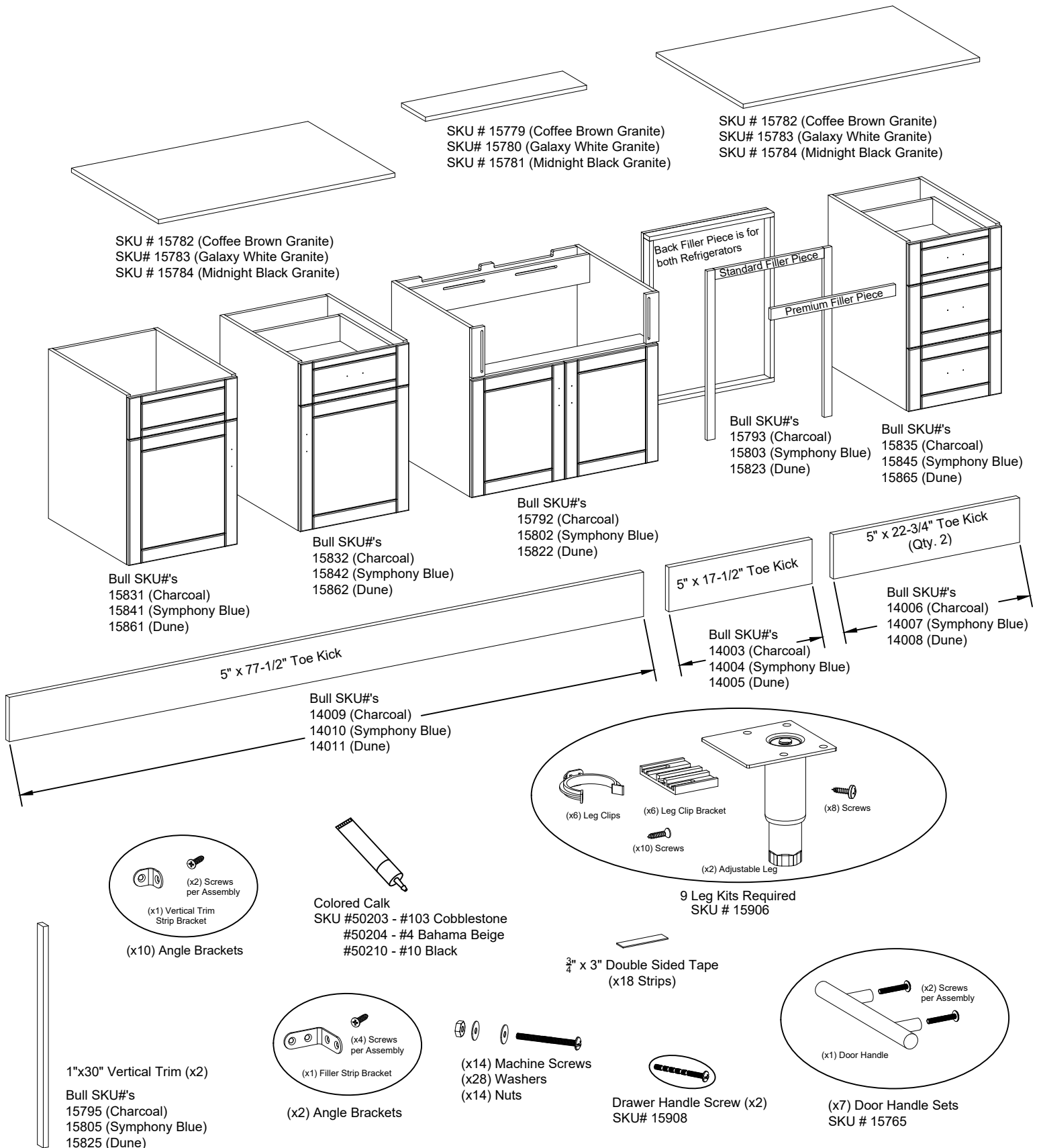
## DuraBull 10ft. Charleston Kitchen

SKU # 15913 (Dune Base w/ Coffee Brown Granite kit)

SKU# 15914 (Symphony Blue Base w/ Galaxy White Granite kit)

SKU # 15915 (Charcoal Base w/ Midnight Black Granite kit)

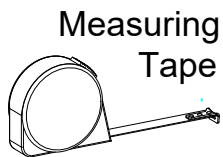
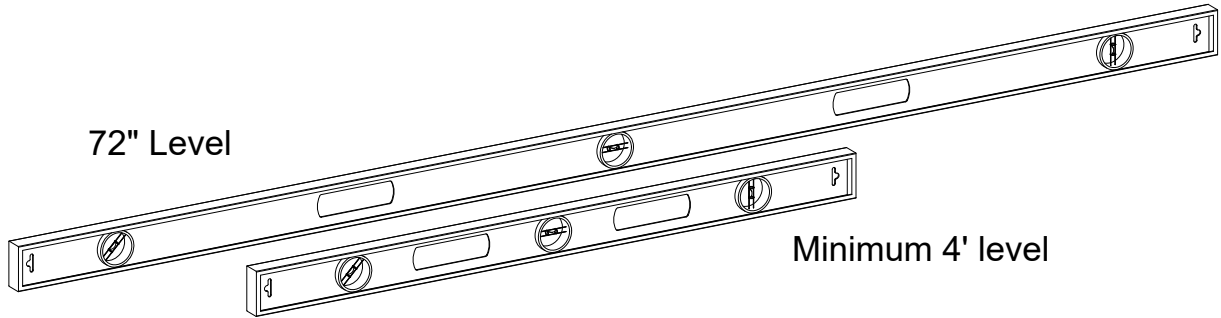
Identify your model using page 5. Once identified, begin the cabinet layout by referring to the sku #'s.



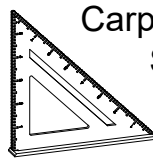
# TOOLS REQUIRED FOR INSTALLATION



Note: Gloves are recommended.  
HDPE can have sharp edges.  
Use gloves with grip. HDPE can be slippery.



Measuring  
Tape



Carpenter  
Square



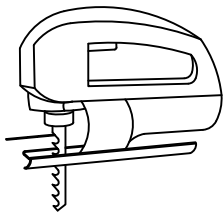
Pencil or  
Marker



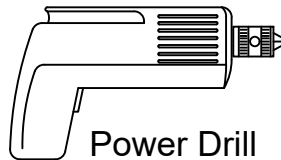
$\frac{5}{32}$ " Drill Bit  
 $\frac{9}{32}$ " Drill Bit



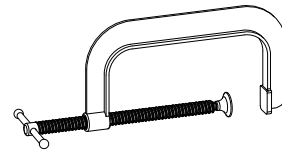
Hole Saw



Jig Saw  
or  
Circular Saw  
or  
Miter Saw



Power Drill

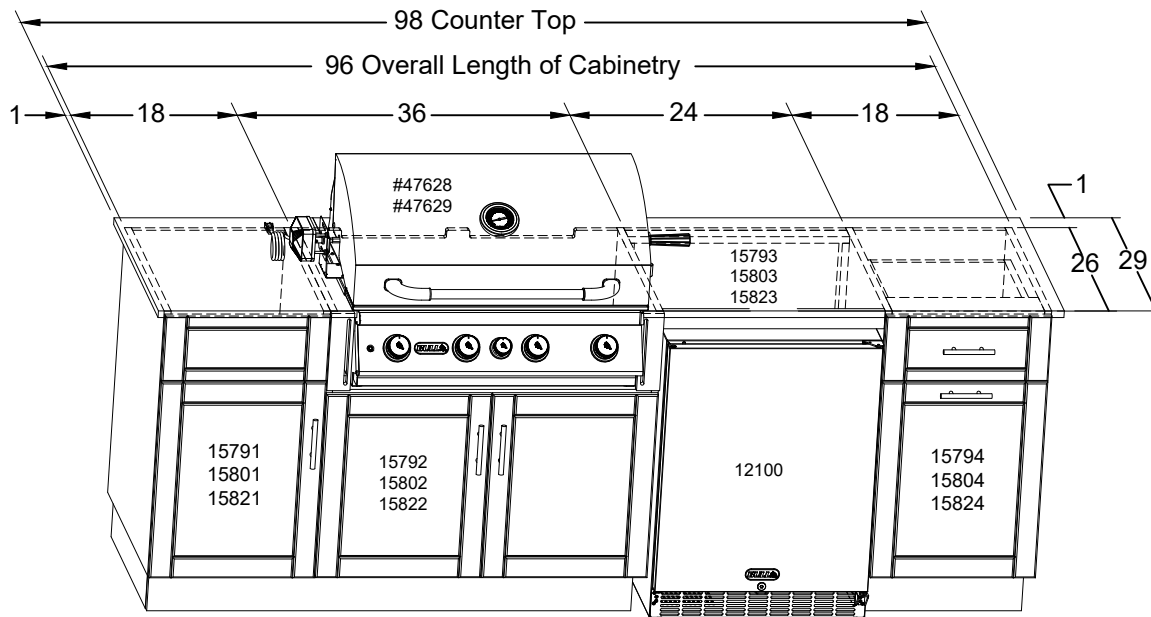


(x2) C-Clamps  
or  
Quick Clamps  
or  
Welding Vise Grip Clamps



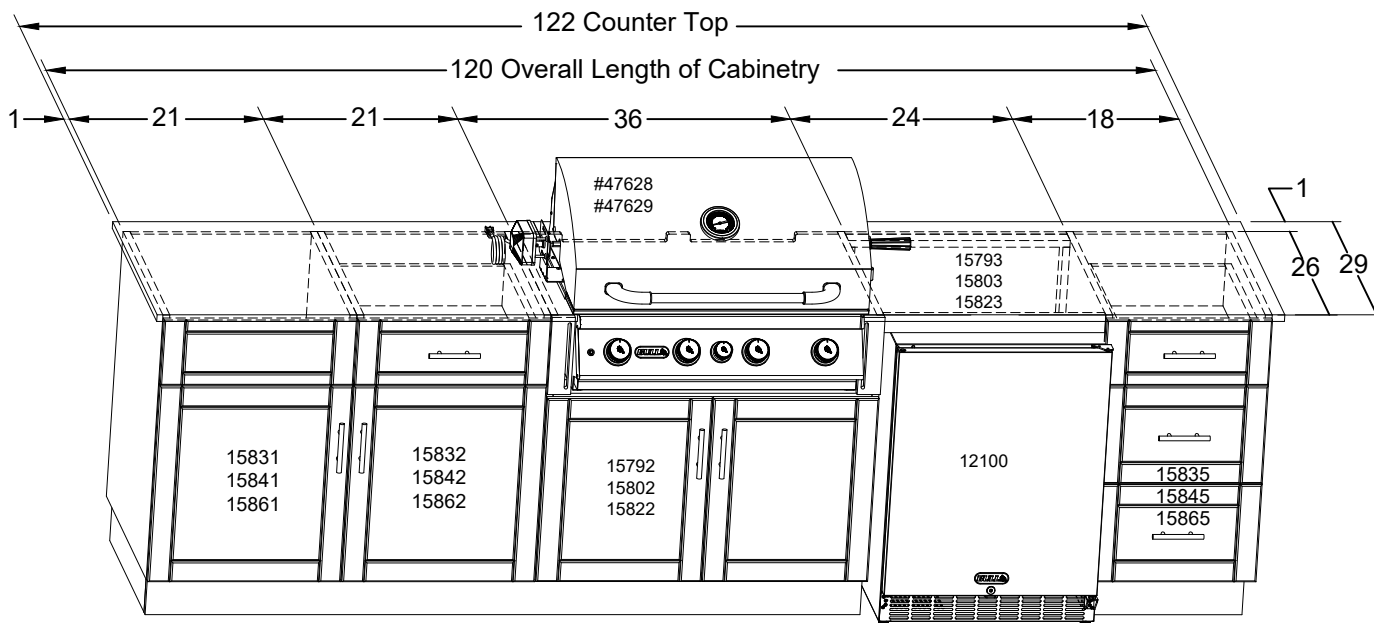
Drill driver bits  
Philips

# Cabinetry Layouts



## DuraBull 8ft. Myrtle Beach Kitchen

- SKU # 15910 (Dune Base w/ Coffee Brown Granite kit)
- SKU# 15911 (Symphony Blue Base w/ Galaxy White Granite kit)
- SKU # 15912 (Charcoal Base w/ Midnight Black Granite kit)

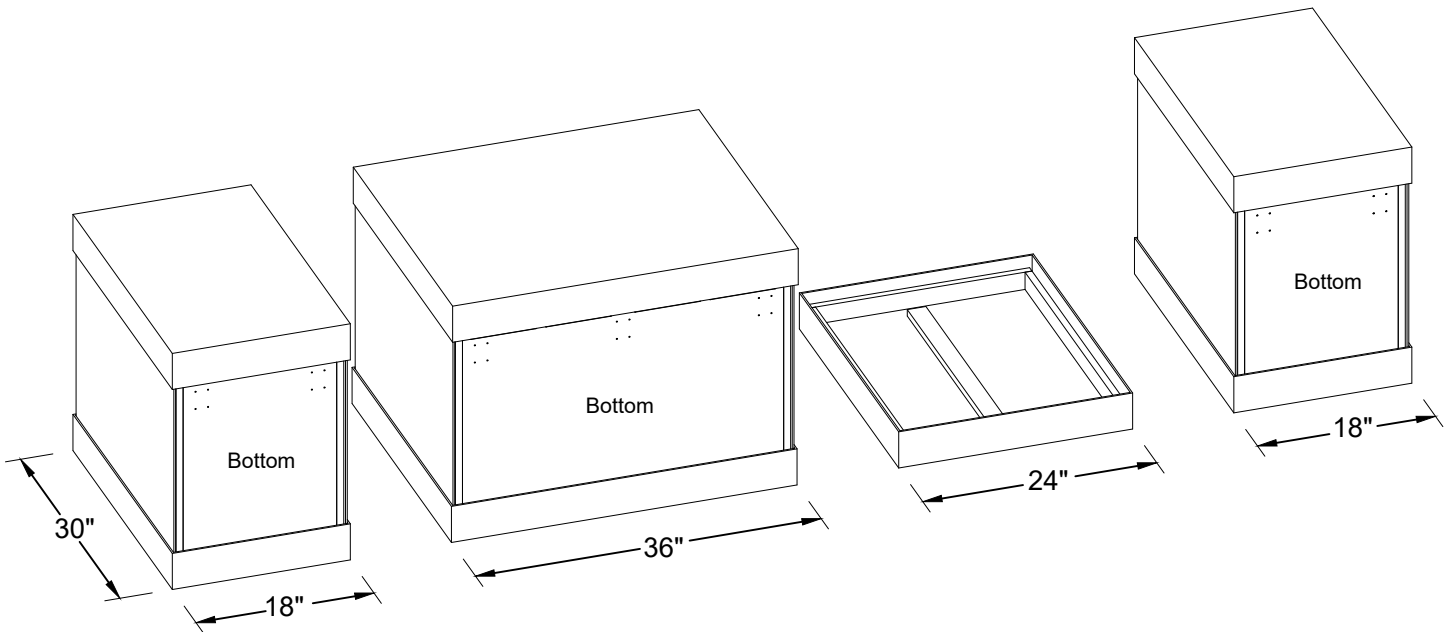


## DuraBull 10ft. Charleston Kitchen

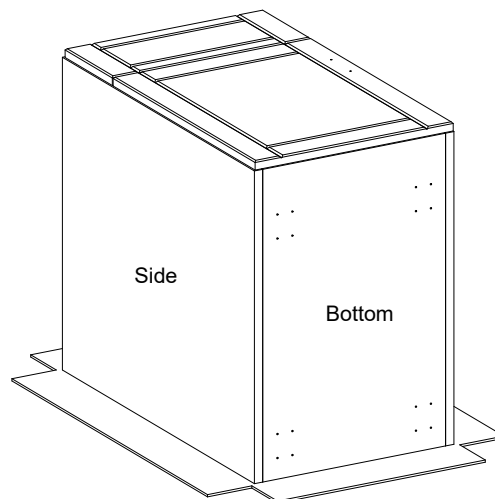
- SKU # 15913 (Dune Base w/ Coffee Brown Granite kit)
- SKU# 15914 (Symphony Blue Base w/ Galaxy White Granite kit)
- SKU # 15915 (Charcoal Base w/ Midnight Black Granite kit)

# PREPPING CABINETS FOR ASSEMBLY

---



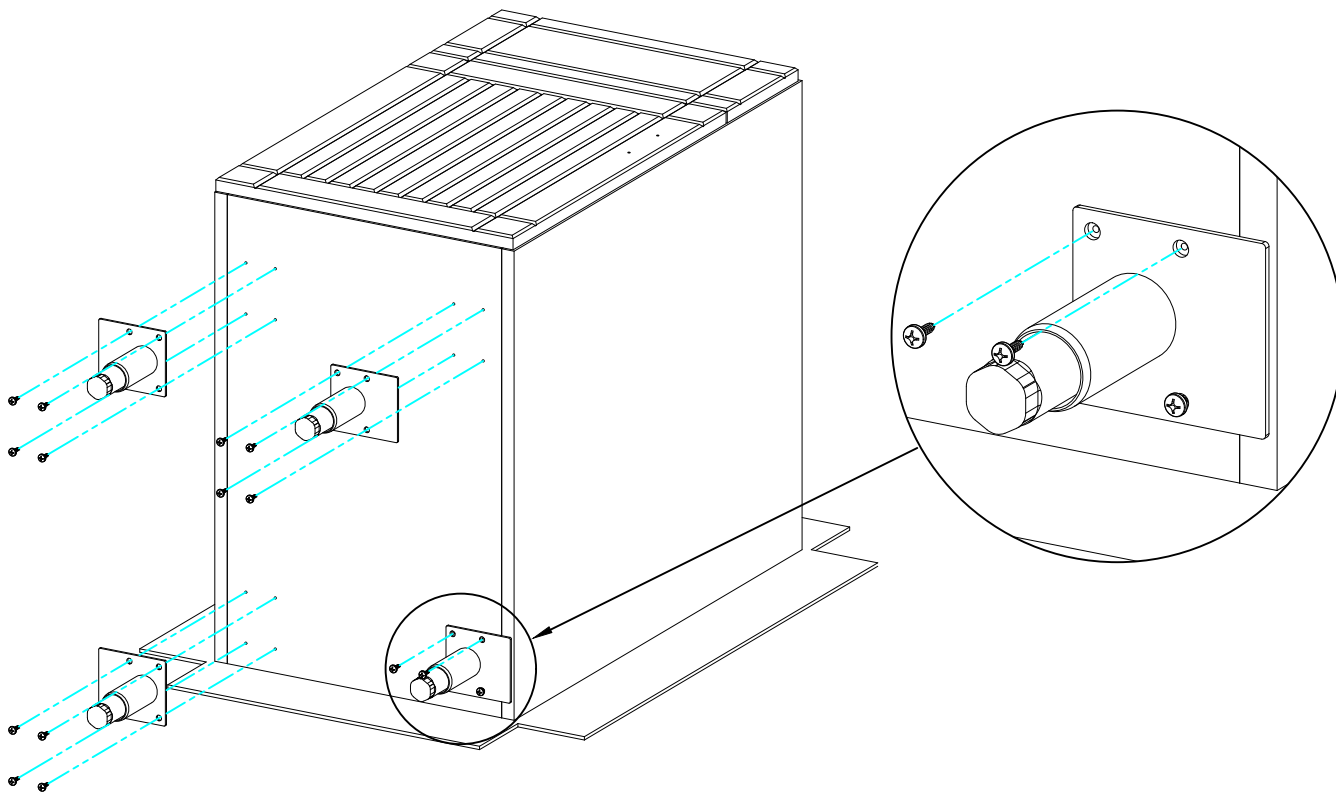
1. Place cabinets on their backs near the location where they will be installed (leaving the cardboard underneath the back of the cabinets to protect them from getting scratched)



2. Remove cardboard from the top and sides, leaving the cardboard under the back of the cabinet

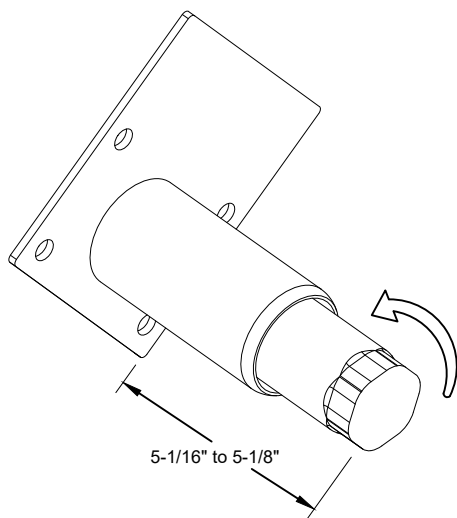
# INSTALLING THE CABINET LEGS

3. Screw on the leg bases to the pre-drilled holes with extended flange going to the out side edge of the cabinet.



4. Set the leg length to 5-1/8" height if using tow kicks. (Keep in mind the toe kick is 5" tall from the factory. Cabinets are 30" tall and the granite is 3/4" thick). Adjustments might need to be made later depending on the surface.

Note: If not using tow kicks and the stainless steel legs will be seen, disregard step 4 and set legs to your desired height.



\*\*Turn Counter clockwise to make the legs longer, and clockwise to make the legs shorter

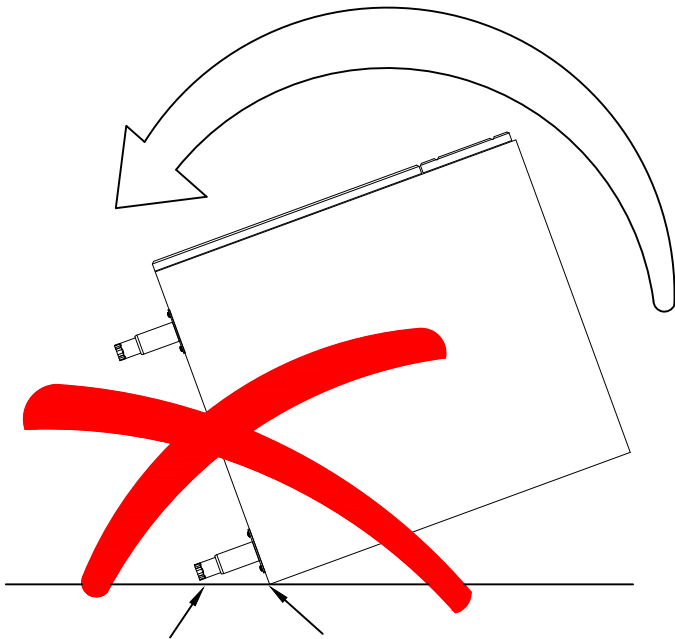
5. Once all legs are installed on each cabinet, begin standing the cabinets up per the instructions on the next page.



# STANDING THE CABINETS UPRIGHT

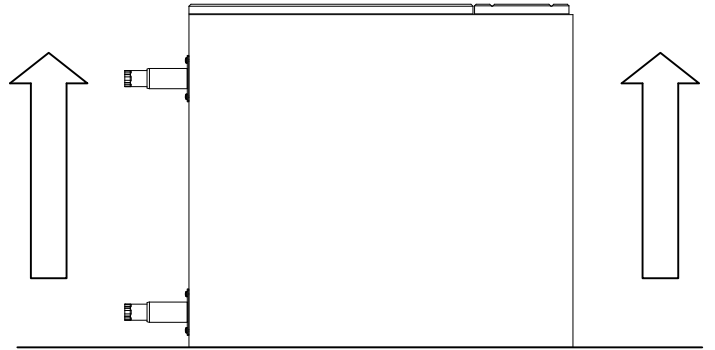
---

6. Stand cabinets up onto the legs.

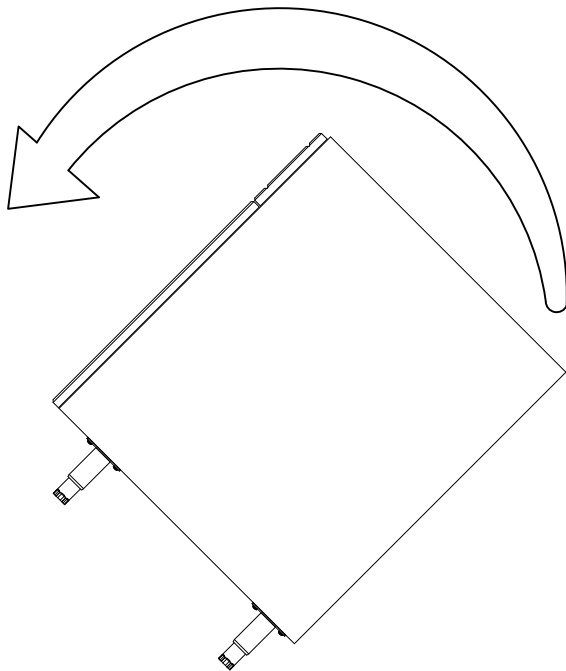


Do not stand the cabinets up by rotating on bottom edge of the cabinet to the legs. This could damage both the edge of the cabinet and the legs.

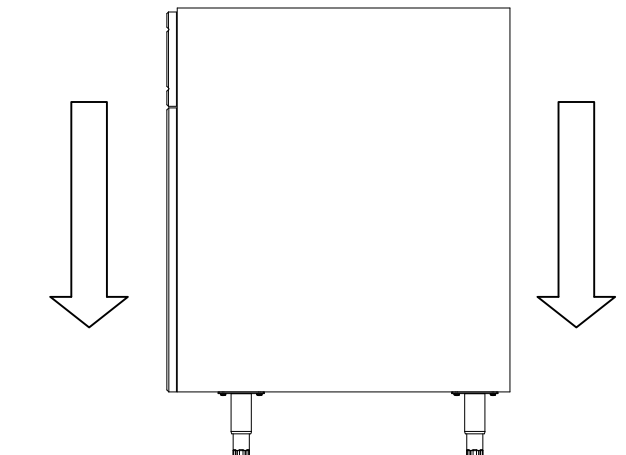
**TEAM  
LIFT**



When standing up the cabinets, lift straight up...



Rotate the cabinet 90 degrees...



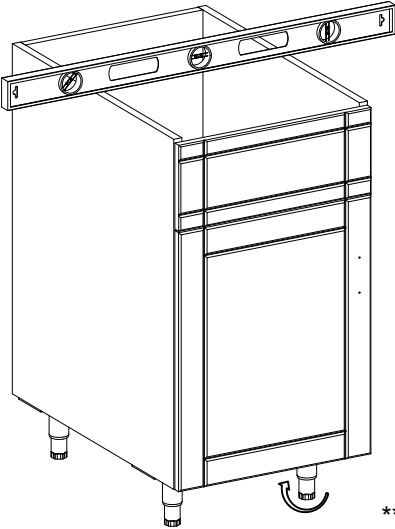
Set the cabinet down gently

\*\*If placing cabinets against a wall, leave 1" in the back for granite overhang. The 1" is required for the grill cabinet to have proper ventilation. DO NOT PLACE CABINETS AGAINST A WALL. See page 18 for the wall filler strip installation.\*\*

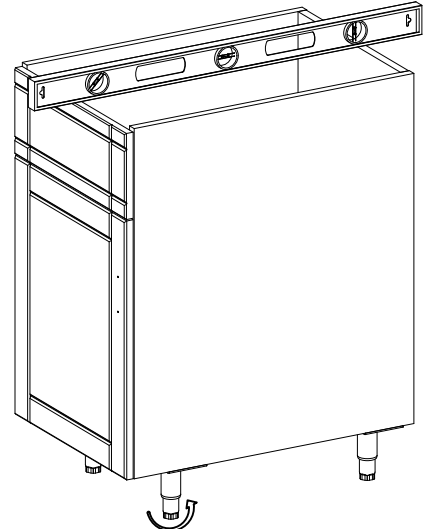
# LEVELING CABINETS

---

7. Level one cabinet at a time (Note: The toe kick installed later, is 5" high from factory. It can be ripped to desired height. Keep this in mind when setting the height on the legs)



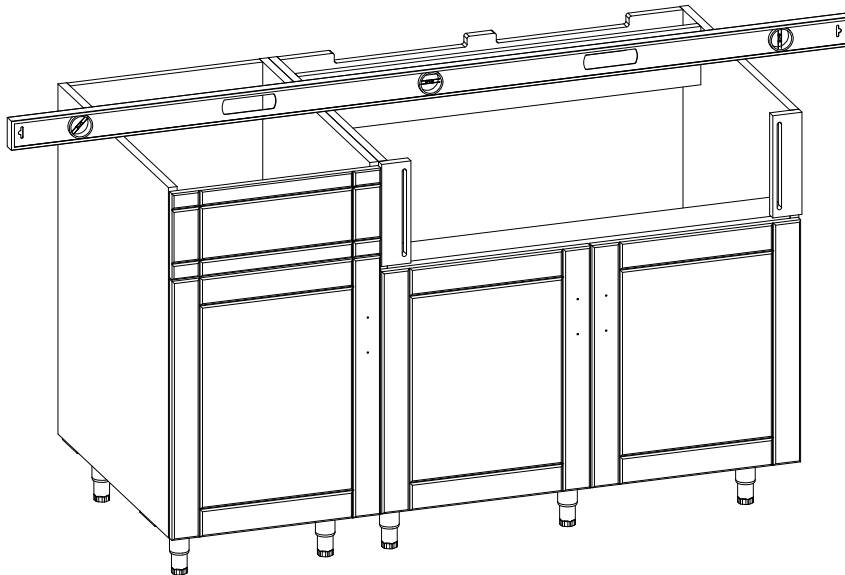
Level left to right



Level front to back

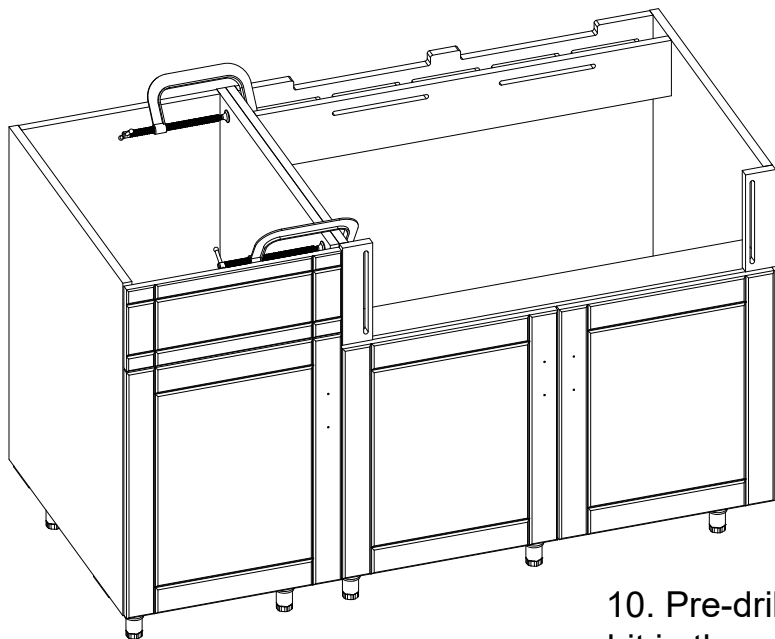
\*\*Counter clockwise raises the cabinet.  
Clockwise lowers the cabinet.

With some cabinets you may have to put the level on the outside edge.



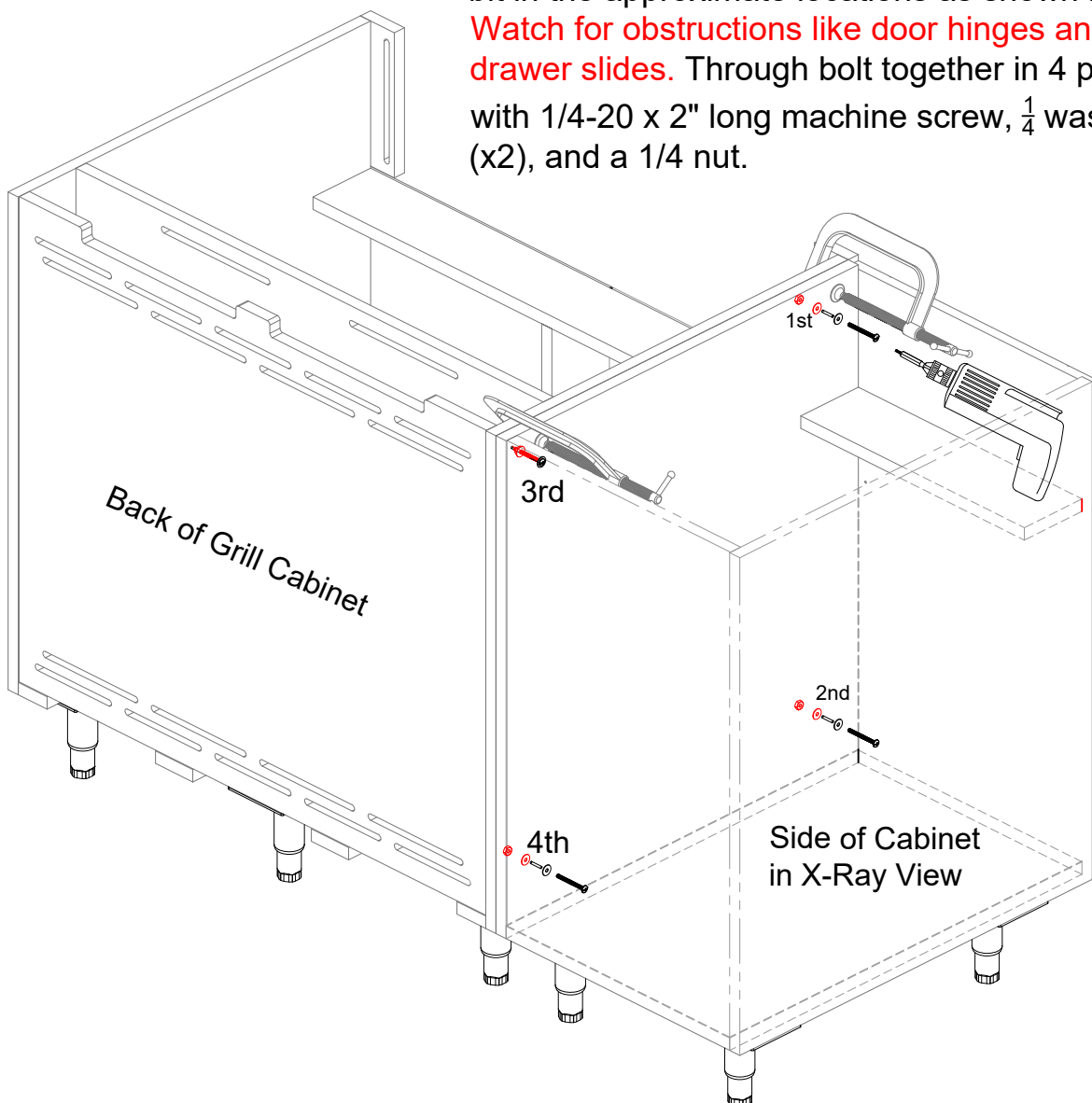
8. Place next cabinet against first cabinet, making the height equal and leveling it together.

# SECURING CABINETS TOGETHER



9. When the cabinets are level with one another, clamp the cabinets together using two clamps positioned per the image.

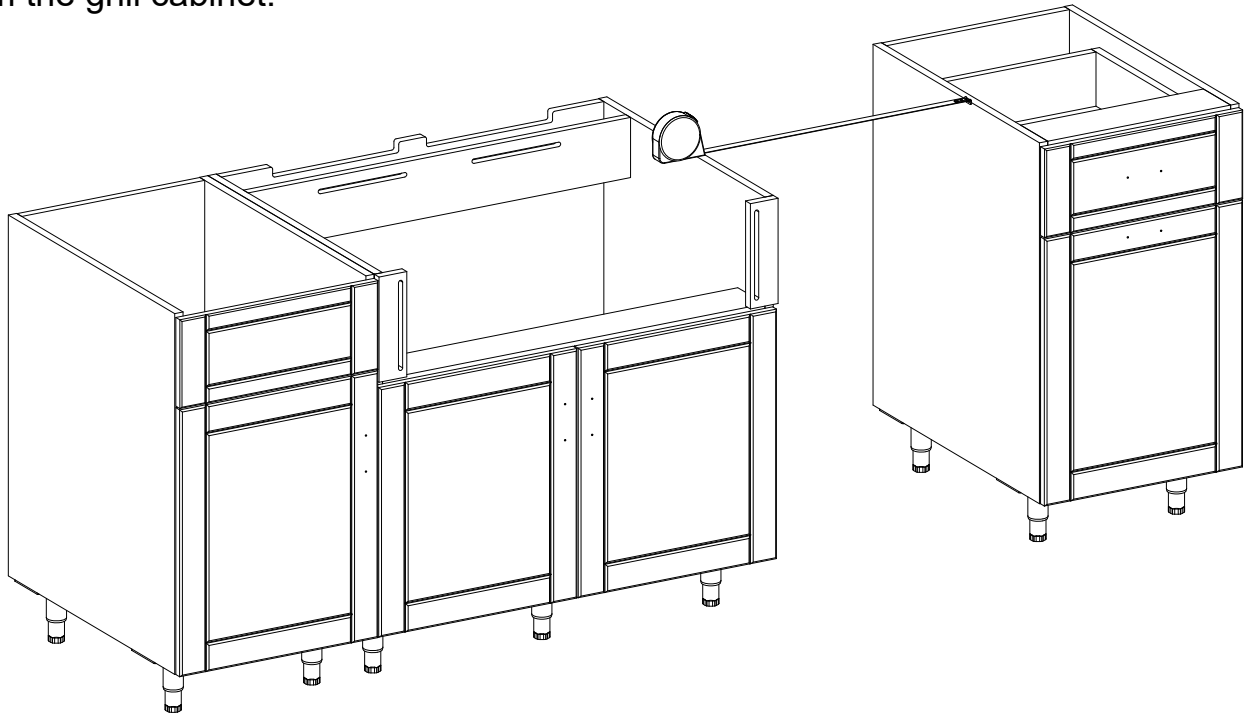
10. Pre-drill the cabinets with 9/32" diameter drill bit in the approximate locations as shown below. Watch for obstructions like door hinges and drawer slides. Through bolt together in 4 places with 1/4-20 x 2" long machine screw, 1/4 washer (x2), and a 1/4 nut.



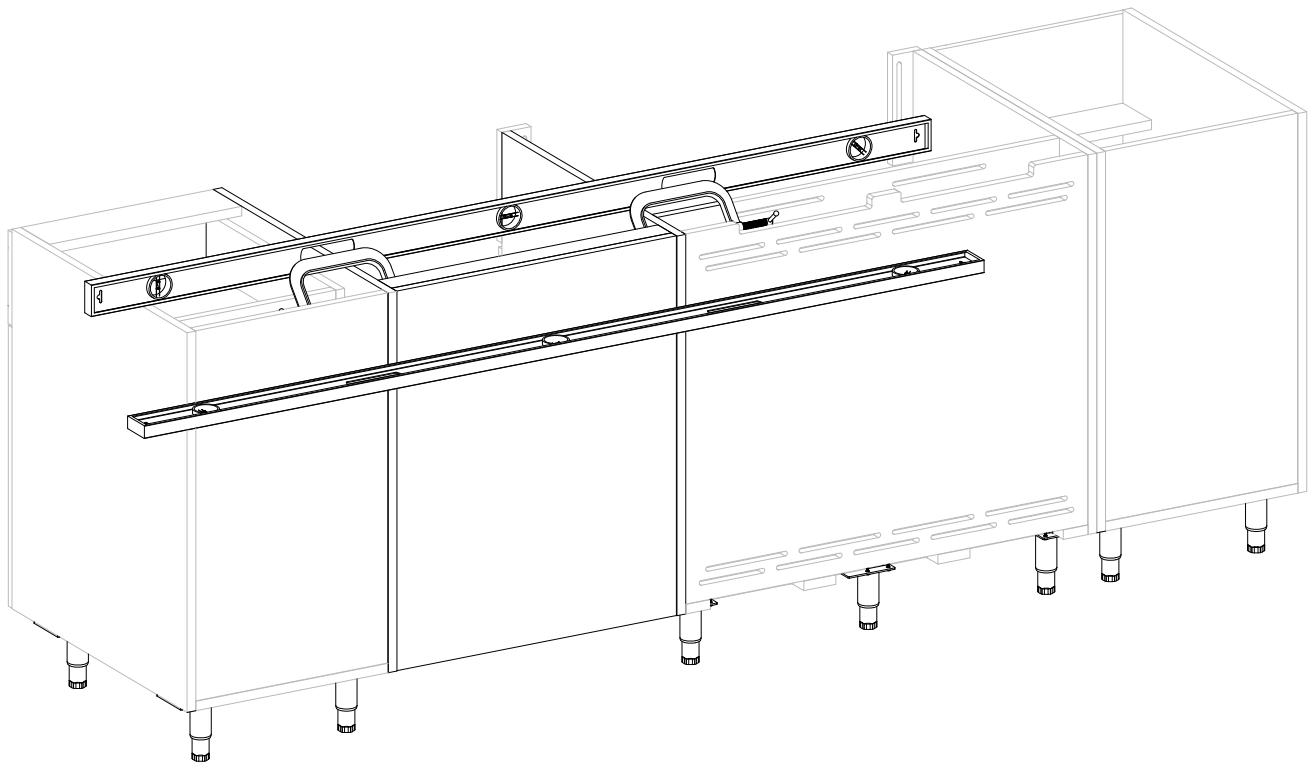
# ADDING 24" SPACING FOR REFRIGERATOR

---

11. Set the trash can cabinet (or the triple drawer cabinet, depending on your model) 24" from the grill cabinet.



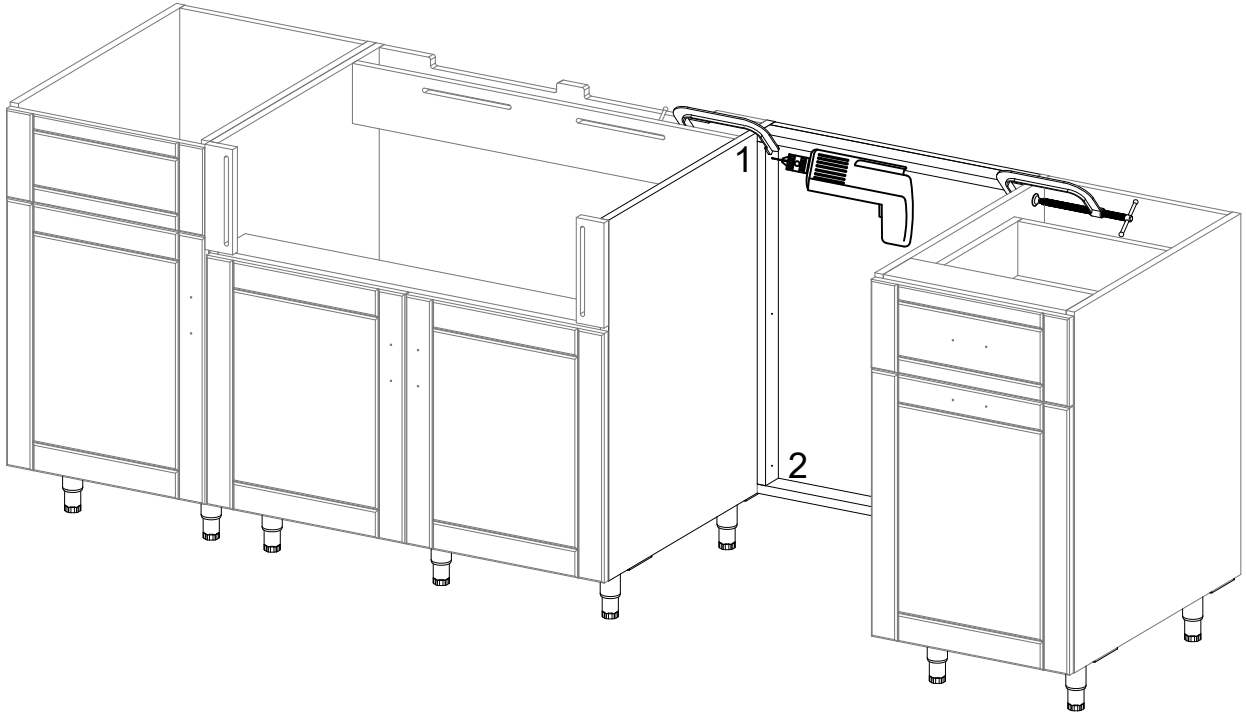
12. Add the refrigeration back panel and secure with clamps. Make sure the cabinets are level and the back panel is flush to the top and back of the cabinets as shown below.



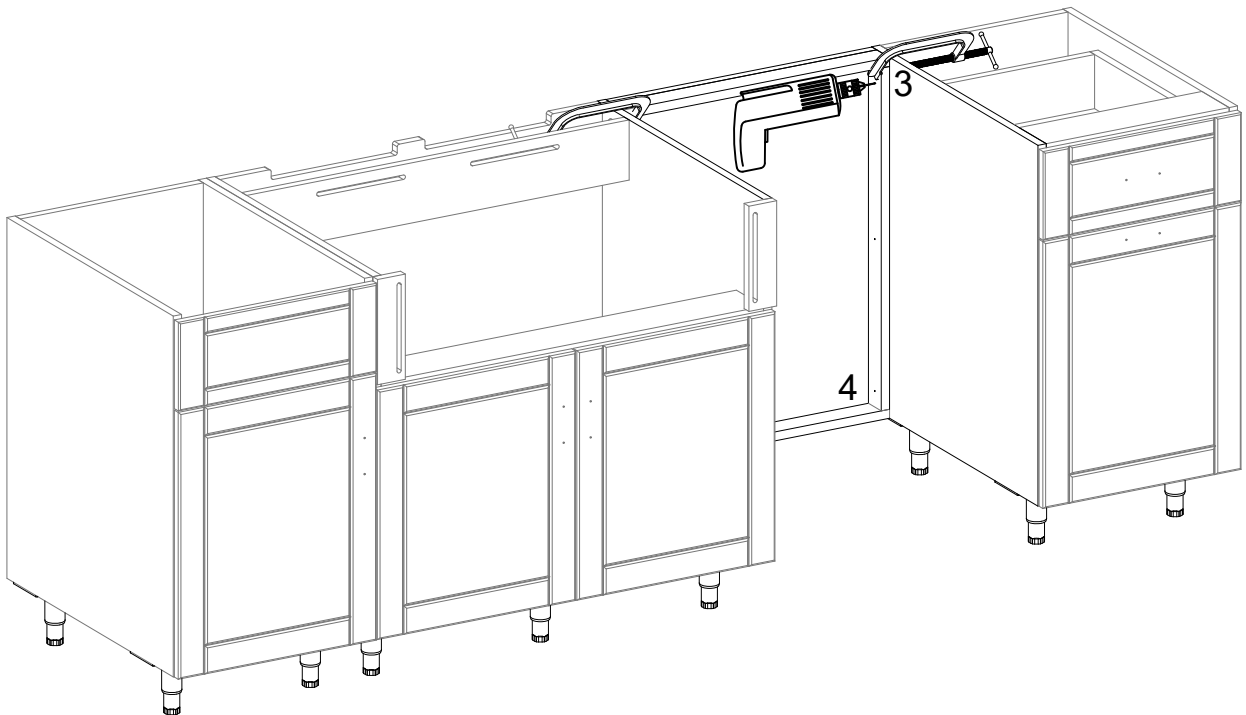
# ADDING REFRIGERATOR PANEL

---

13. Once level and flush to the top and back of the cabinets, drill larger holes ( $\text{Ø}9/32$ ) through the holes on the refrigerator panel to the cabinets in 4 places.



14. Using the 1/4-20 x 2" long machine screws with (x2)  $\frac{1}{4}$ " washers and a 1/4-20 nut, screw the panel to the grill cabinet from the top, then bottom.



# Note: Choose Your Refrigerator - Premium or Standard

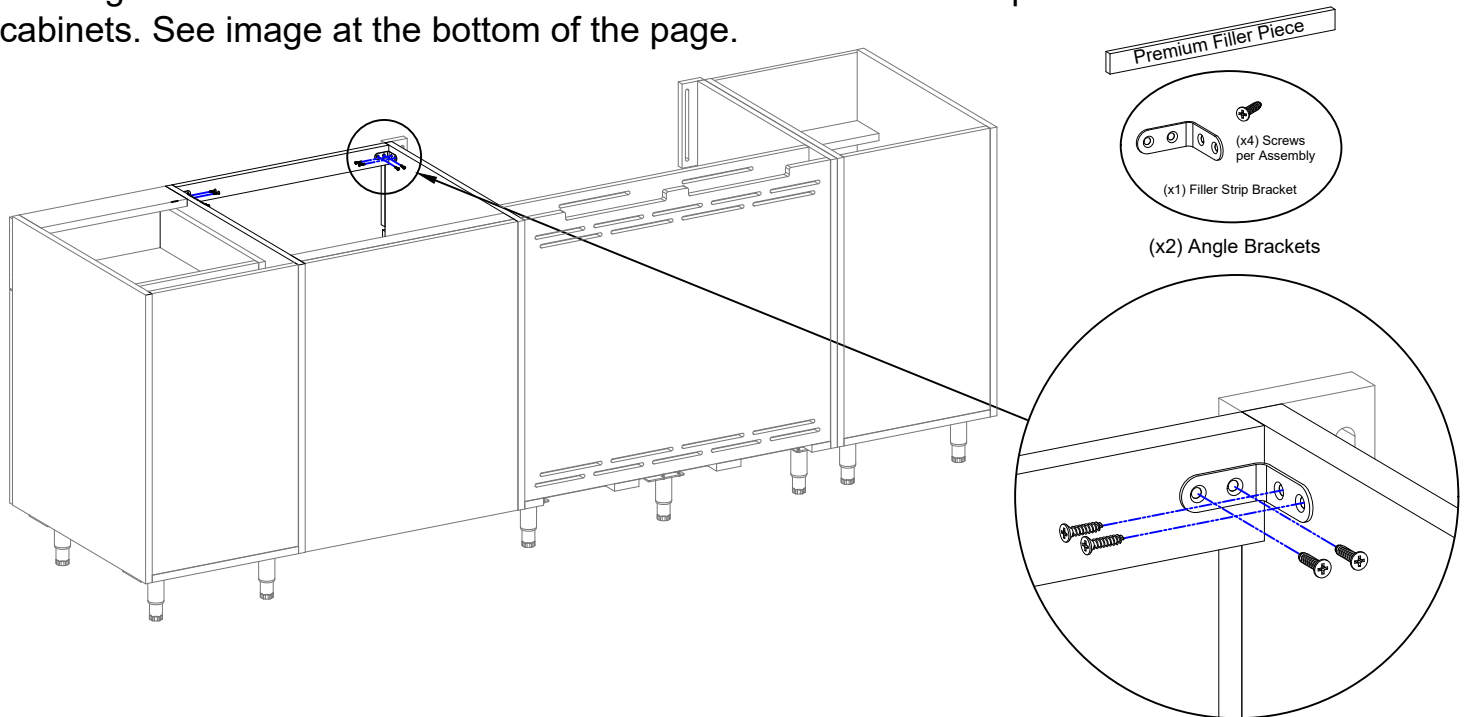
## ADDING FRONT FILLER PIECE for Premium Refrigerator

Note: Determine what front filler piece is required for the type of refrigerator chosen.

Use the 2" x 24" top filler piece with the any premium refrigerator.

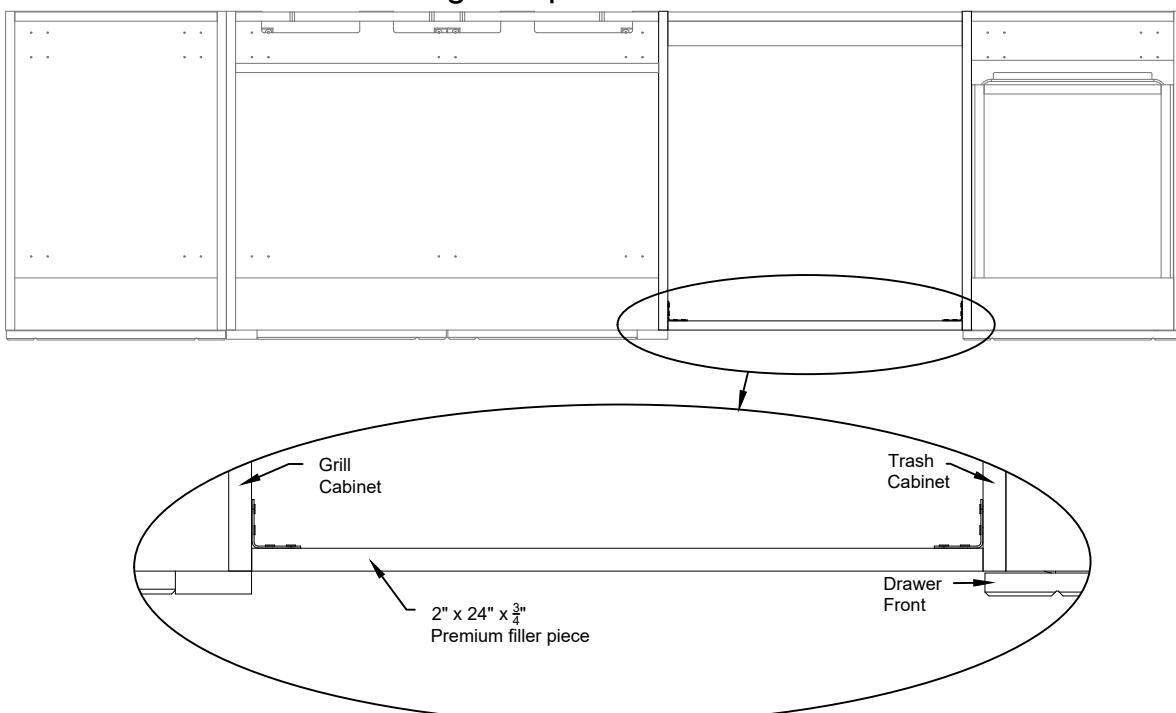
Use the Standard filler piece with the contemporary standard refrigerator.

15a. Install the 24" x 2" x 3/4" premium filler to the top, between the grill cabinet and the trash can cabinet (or triple drawer), making sure it is square and flush with top of the cabinets. Use two angle brackets with the double holes on the backside of the panel to secure the filler to the cabinets. See image at the bottom of the page.



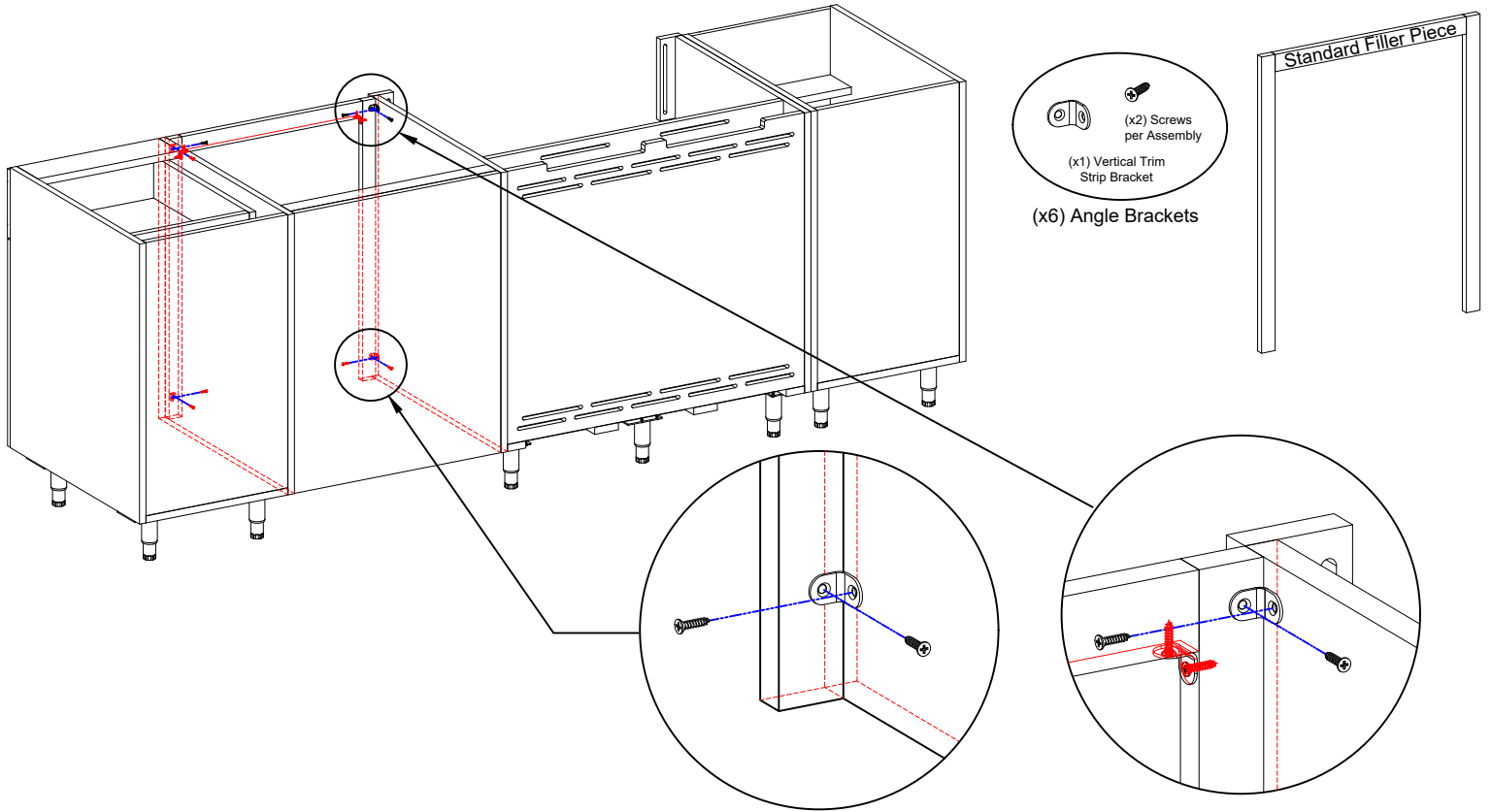
Note: The filler strip should be set back from the drawer, per image below.

Straight Top Down View



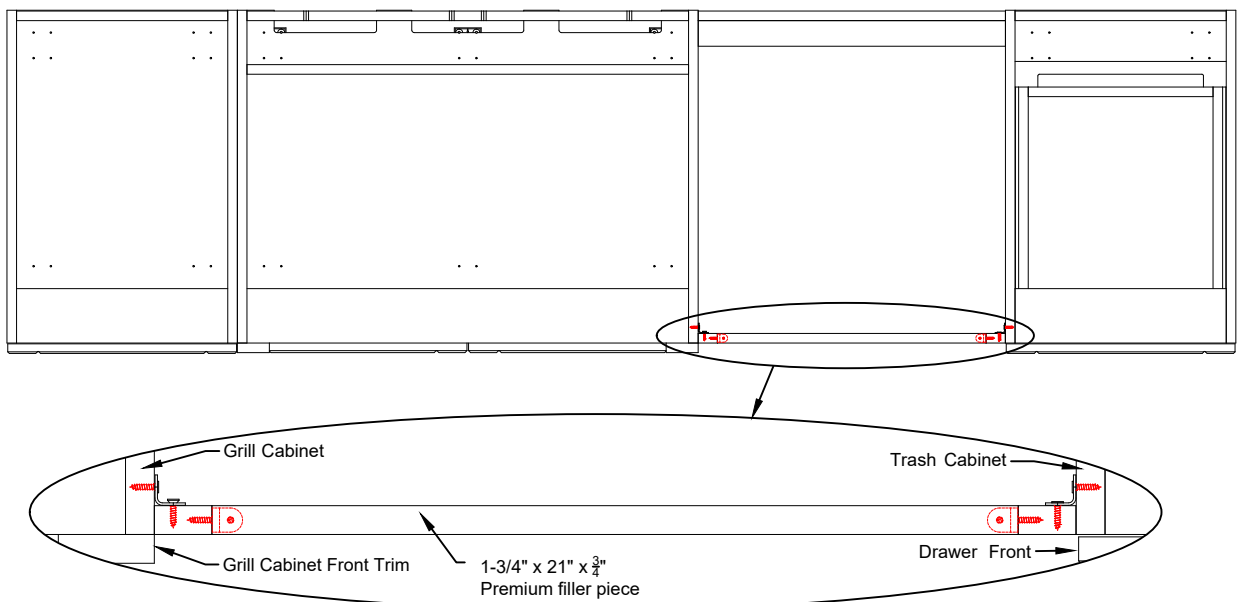
# ADDING FRONT FILLER PIECE for Standard Contemporary Refrigerator

15b. Install the standard filler piece to the front, between the grill cabinet and the trash can cabinet (or triple drawer), making sure it is square and flush with top of the cabinets. Use four angle brackets with the single holes on the backside top of the panel and bottom to secure the filler to the cabinets. Then add the 1-3/4" x 21" x 3/4" thick filler piece flush with the top and between the two vertical filler strips just added. See images below.



Note: The filler strip should beset back from the drawer, per image below.

Straight Top Down View

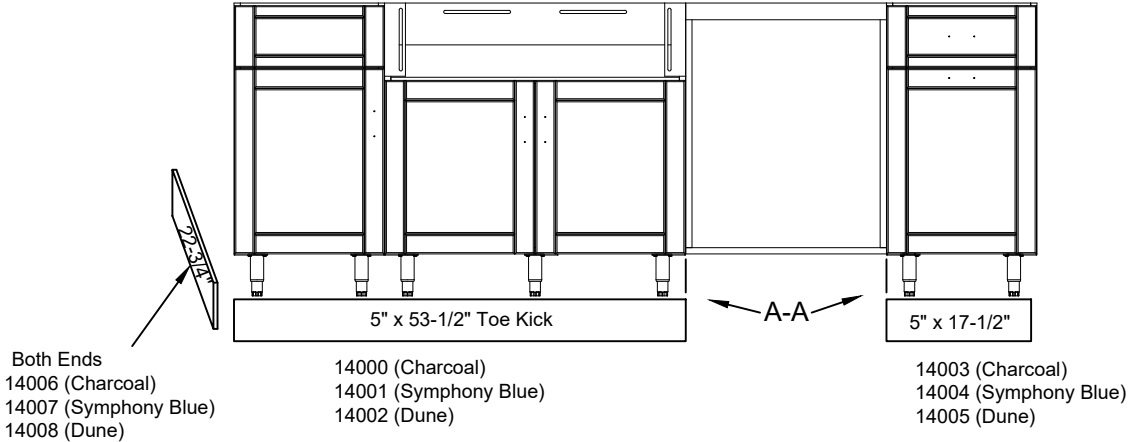


# TOE KICK PREPARATION & INSTALLATION

Find your model below

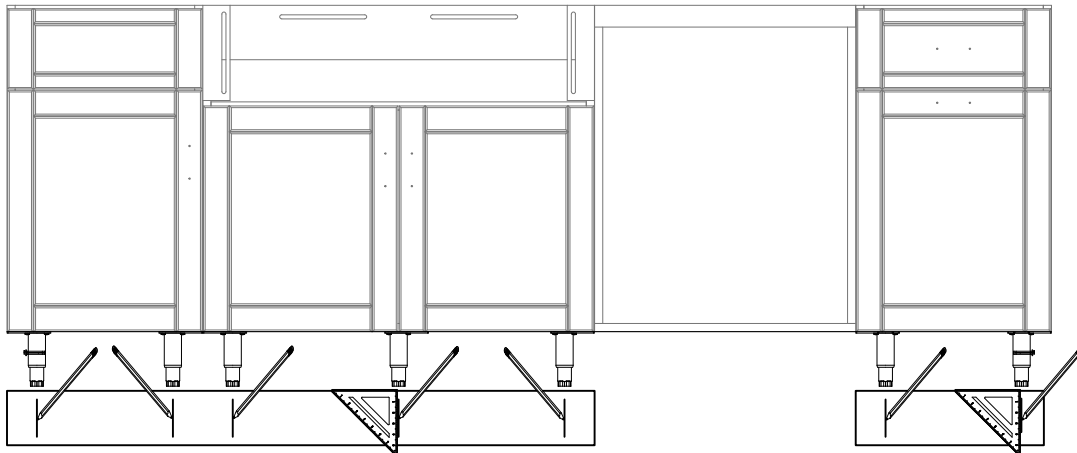
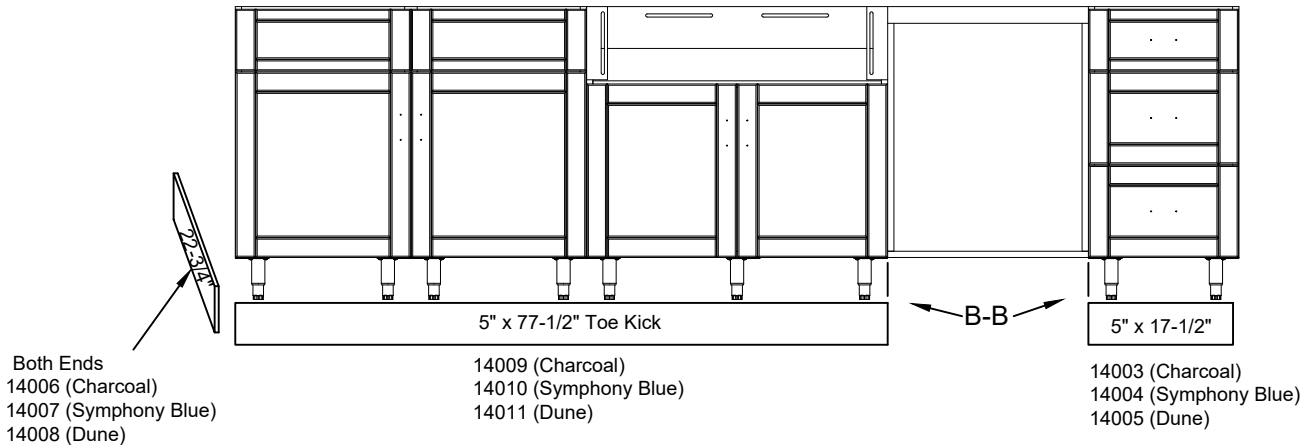
## DuraBull 8ft. Myrtle Beach Kitchen Only

16. Starting with the front toe kicks. Place the precut toe kicks down in front of the cabinets. Note: lay toe kicks on cardboard to prevent scratching. The 2 front pieces must be flush with the refrigerator opening as shown (A-A) below, before proceeding to the next step.



## DuraBull 10ft. Charleston Kitchen Only

16. Starting with the front toe kicks. Place the precut toe kicks down in front of the cabinets. Note: lay toe kicks on cardboard to prevent scratching. The 2 front pieces must be flush with the refrigerator opening as shown (B-B) below, before proceeding to the next step.



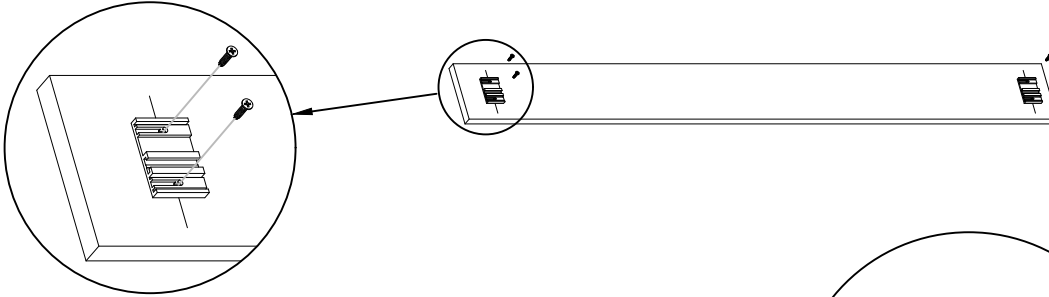
17. Lay your front toe kicks face down as shown above. Using a sharpie and a small square, line up the center of the legs and mark. This will be the placement of the clip mount brackets.



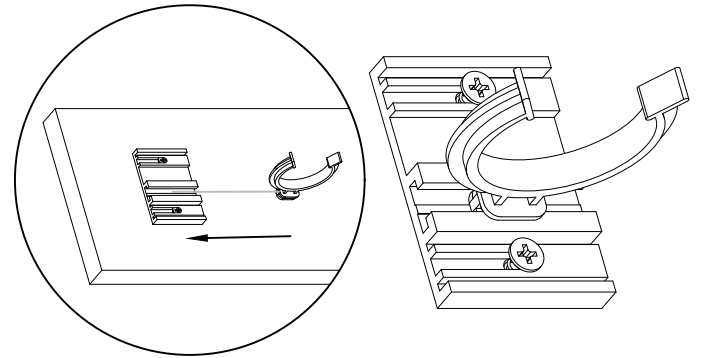
# FRONT TOE KICK PREPARATION & INSTALLATION

Make sure toe kicks are ripped to the desired height before proceeding. Note: Toe kicks are 5" tall to start.

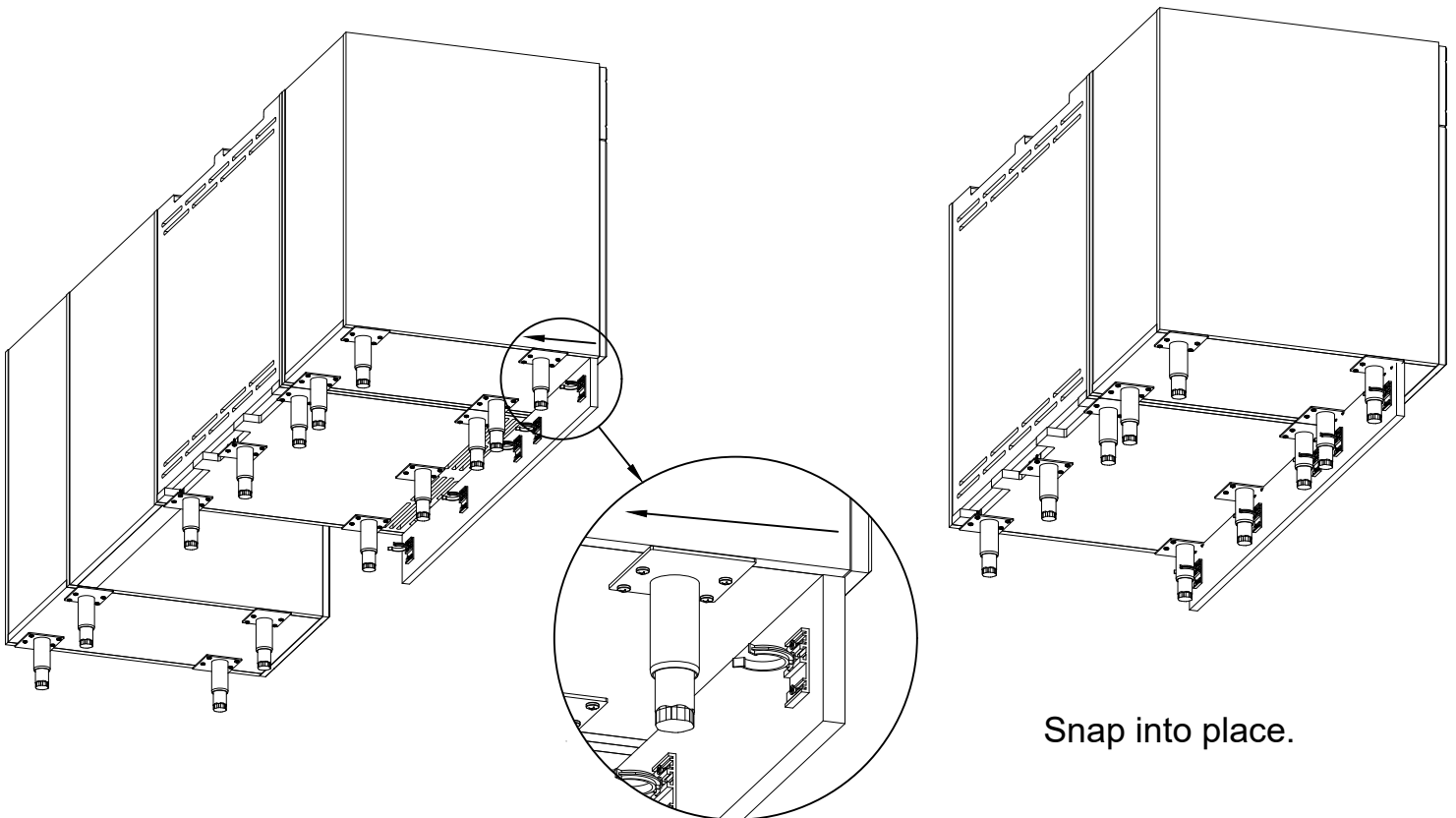
18. Line up the clip mounts, center of the marked lines and approximately center up and down. (The mount & clip will hold the toe kick best and straight when it is approximate in the center of the toe kick marks).



19. Once all clip mounts are screwed into the toe kick, slide the clips into the center of the clip mount. Note: This allows room for side to side adjustment.



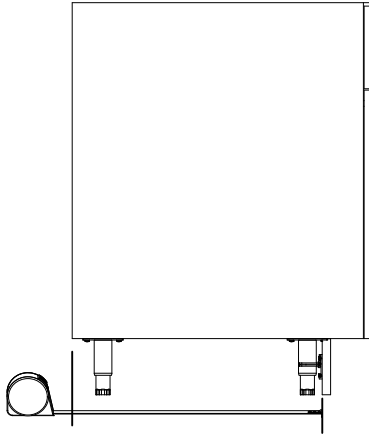
20. When all clips are on the clip mounts, line them up with the legs and gently snap in one clip at a time from right to left or left to right.



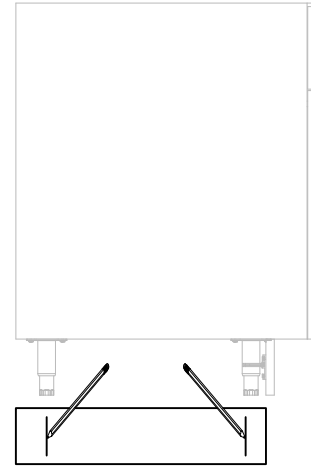
Snap into place.

# SIDE TOE KICK INSTALLATION

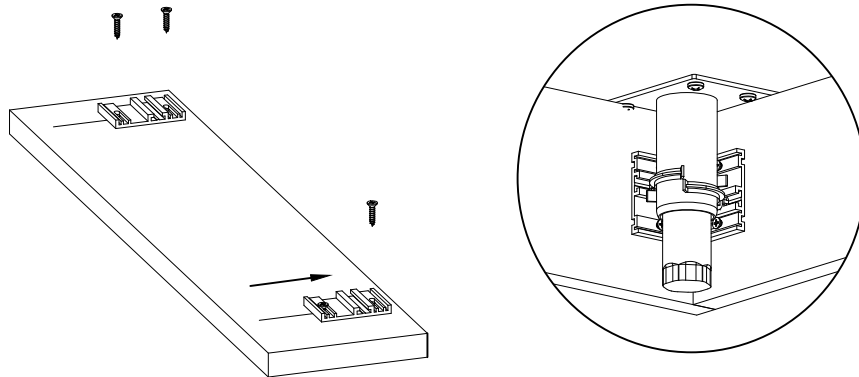
Note: Skip page 17 & 18 if you do not plan to use toe kicks.



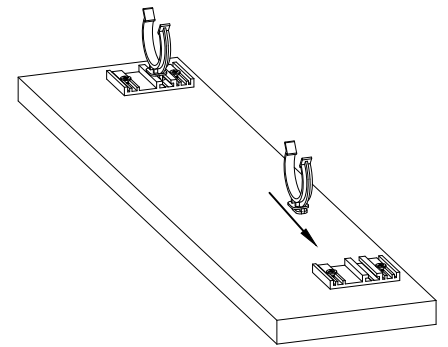
21. Measure from the inside of the front installed toe kick to the rear of the cabinet. Note: If you are installing a rear toe kick you will install the rear toe kick before measuring this side piece. On the rear toe kick, measure the inside of both the front and rear.



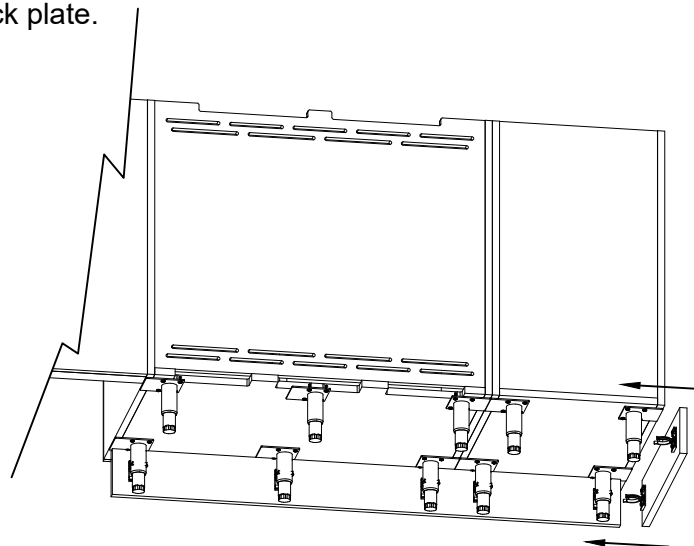
22. Lay down the side toe kick flush with the inside front toe kick. Use a sharpie to mark the center of the legs.



23. Offset front side clip mount by 1/2" either above or below your front toe kick measurement (This will ensure that the 2 clip mounts on the leg do not interfere with each other). Screw the clip mounts to the kick plate.



24. Slide the clips on the brackets.

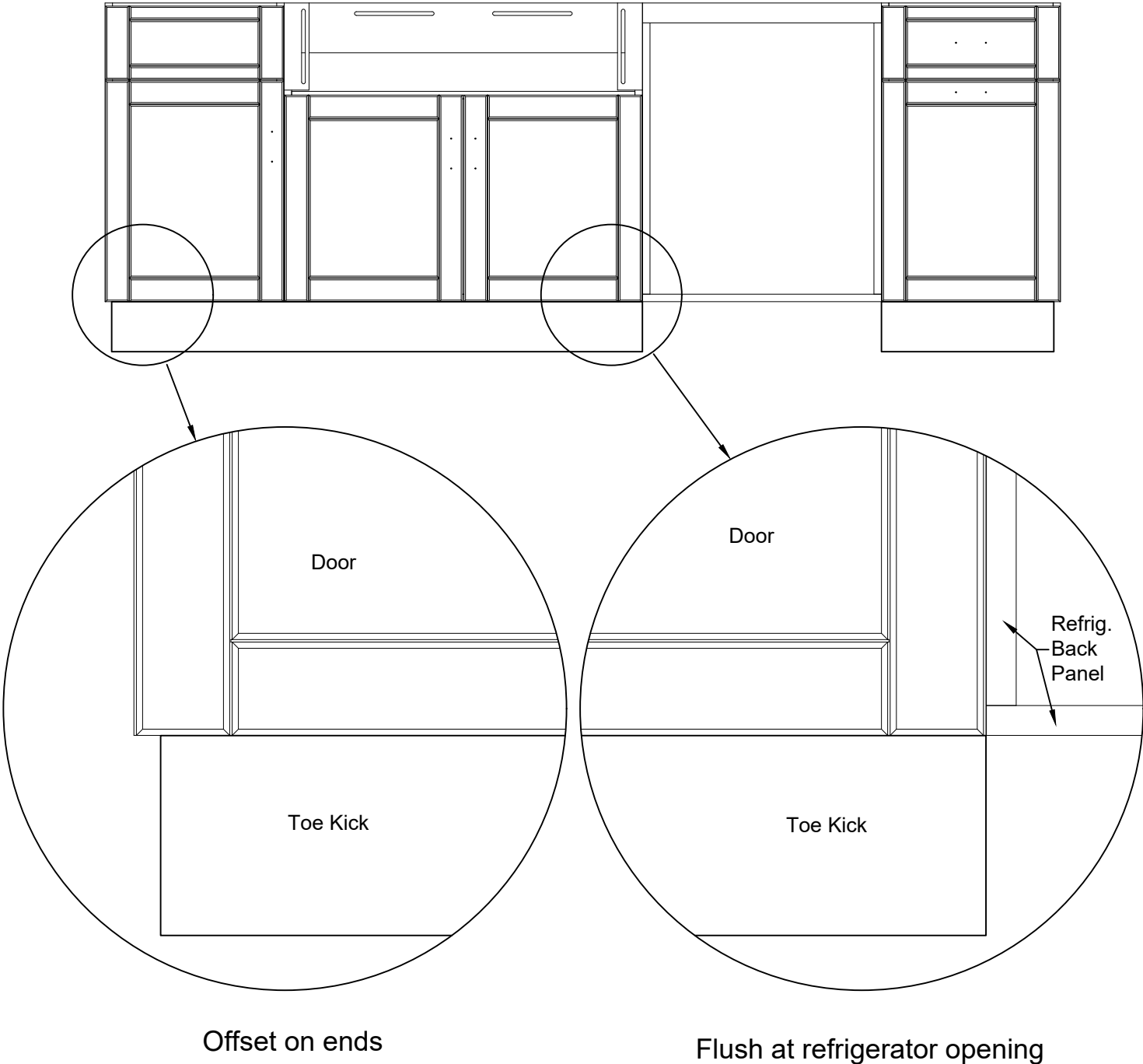


25. Snap the kick plate carefully one side at a time.

Note: If installing a rear toe kick measure both outside end with the mounts and clips, add 1 1/2" overall.

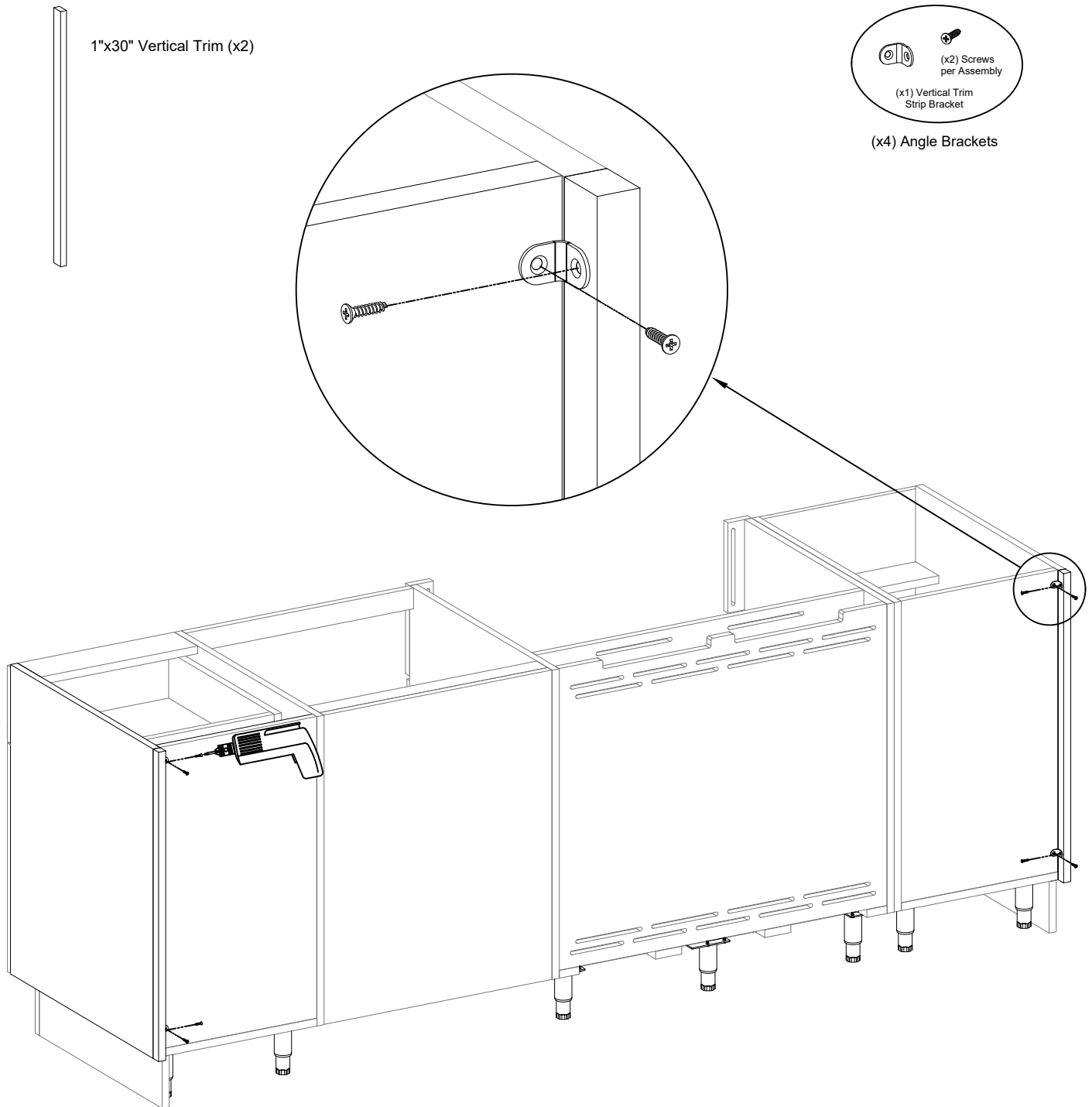
# TOE KICK INSTALLATION CONTINUED

After toe kicks are installed, below is how they should look after snapping into place.



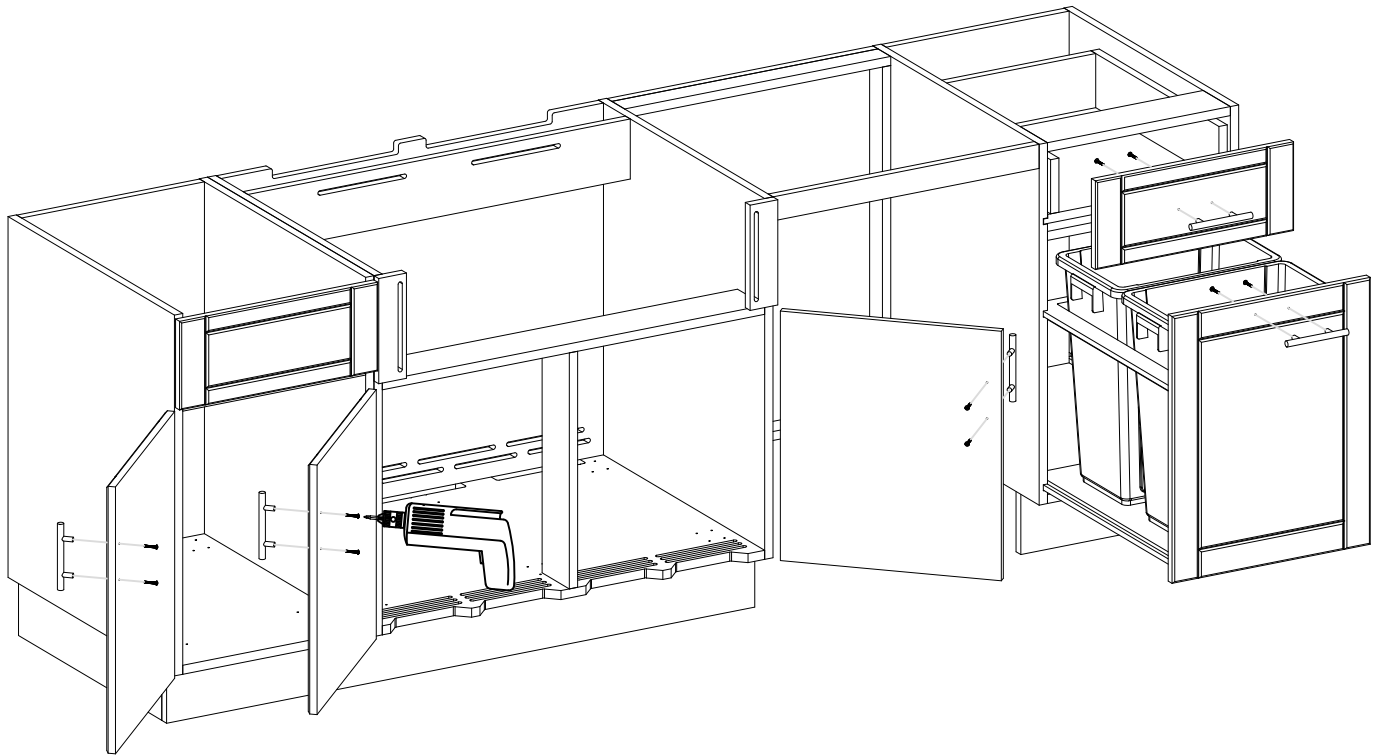
# ADDING OPTIONAL CABINET WALL FILLER STRIPS

26. If the cabinets are going to be placed against a wall, the kit comes with (x2) 1" x 30" x 3/4" filler strips. These can be installed on the sides flush with the top. Secure with the single hole angle brackets, screw them into place as shown.

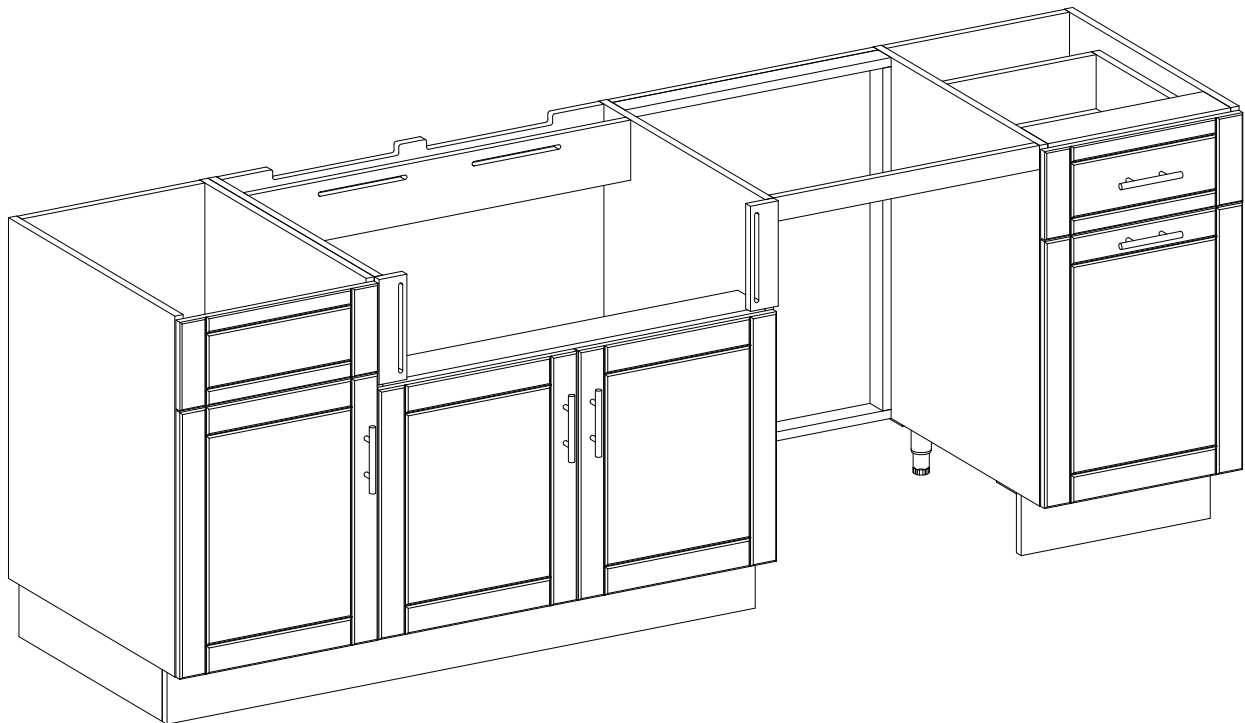


# HANDLE INSTALLATION

---



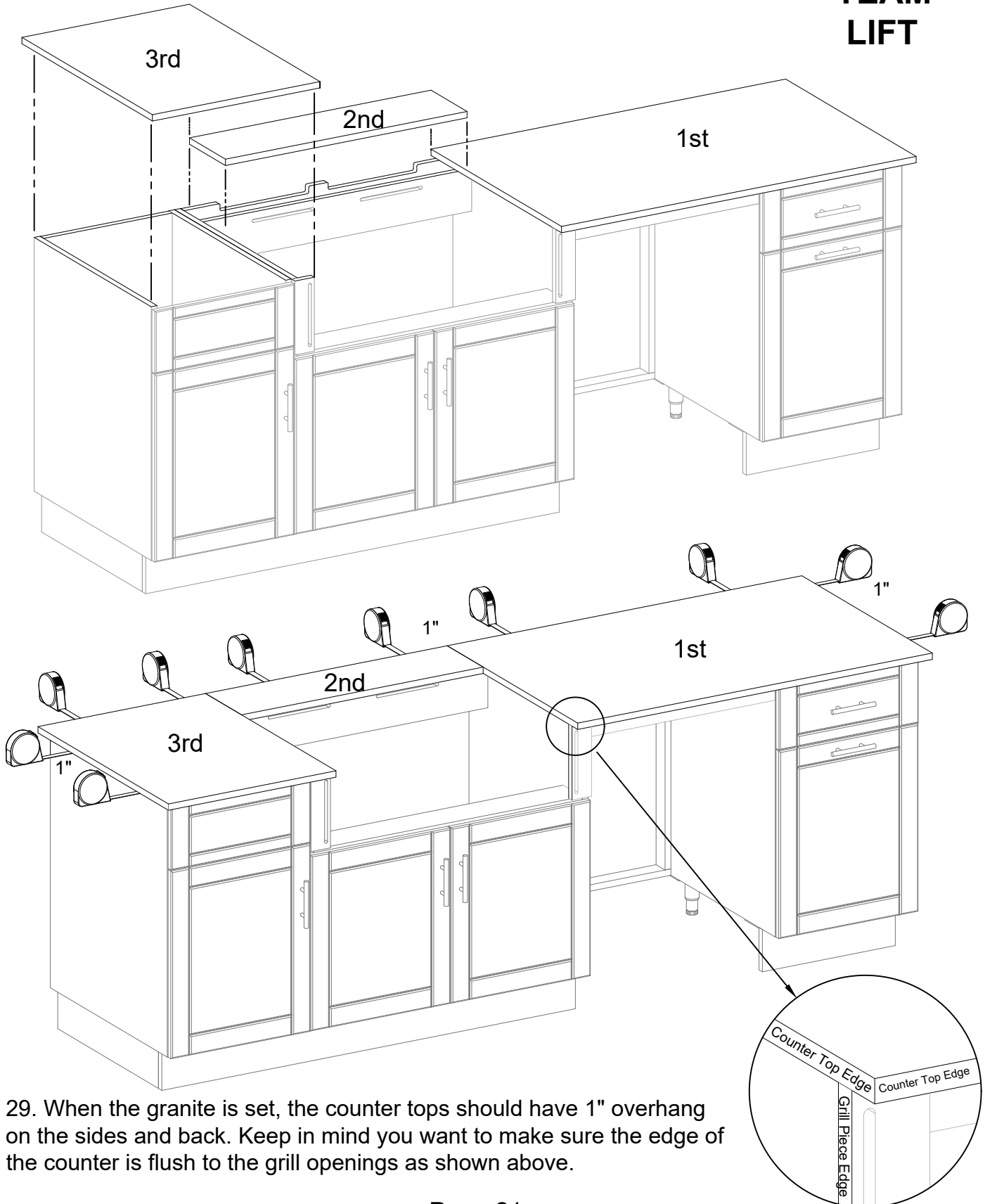
27. Screw in the door handles using the pre-drilled holes in the doors. The drawer fronts are pre-drilled, the backs are not. You must use the pre-drilled holes on the fronts to drill out the backs using a 5/32" drill bit. When the drawer holes are completed, attach the handles.



# COUNTER TOP INSTALLATION

28. Starting with the largest piece of granite first. Set the granite onto the cabinets as shown in the order below, allowing approximately 1" on side and 1" on back.

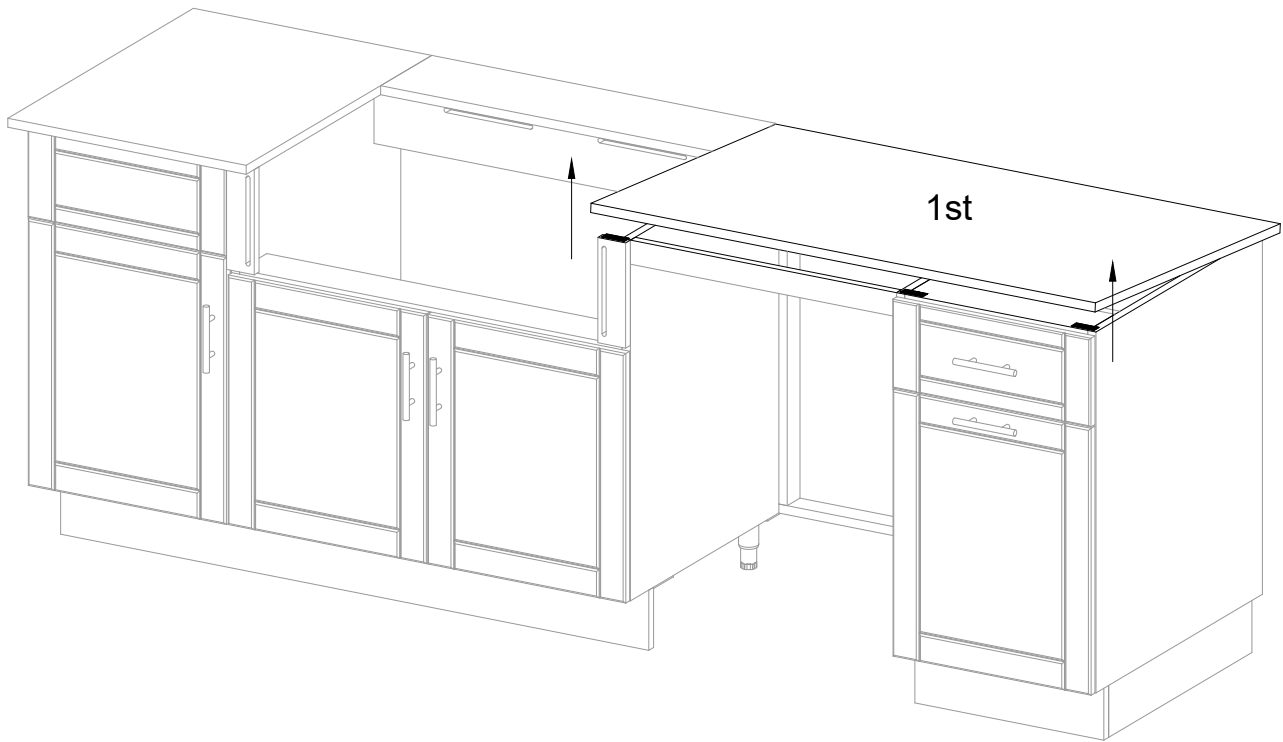
**TEAM  
LIFT**



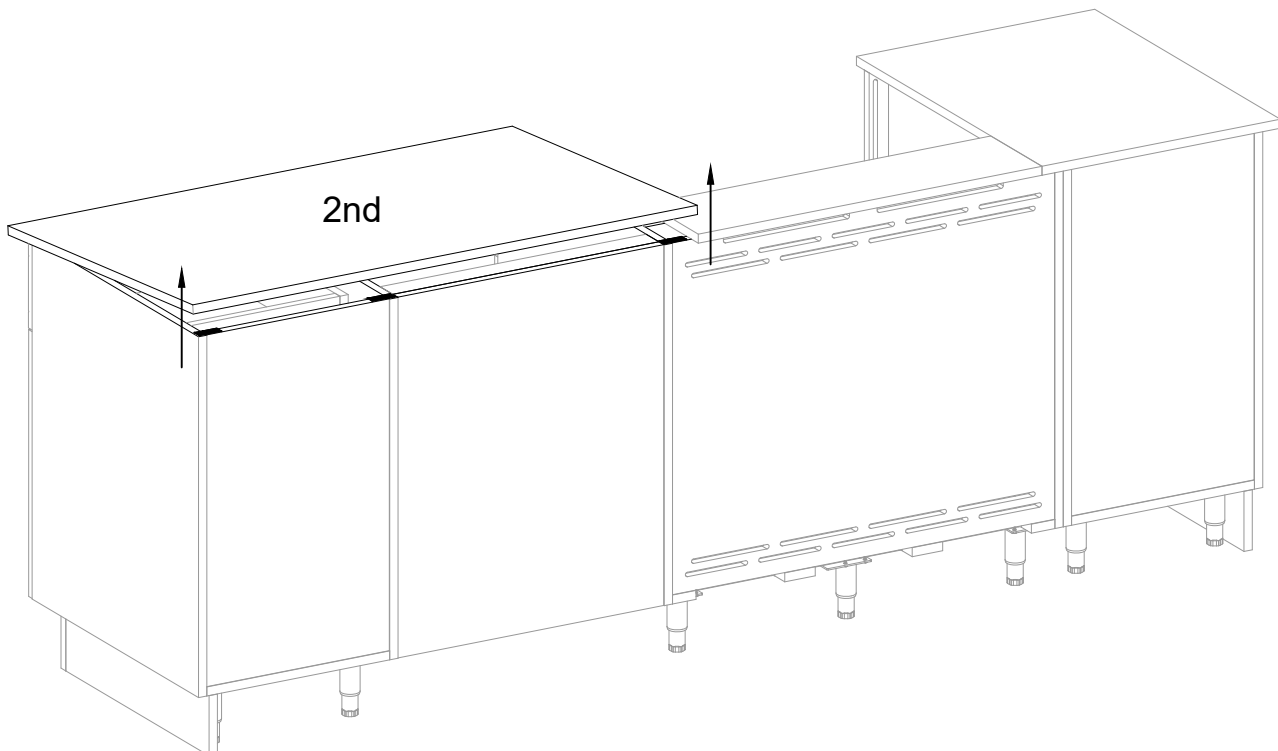
29. When the granite is set, the counter tops should have 1" overhang on the sides and back. Keep in mind you want to make sure the edge of the counter is flush to the grill openings as shown above.

# ADHERE THE COUNTERTOP

---



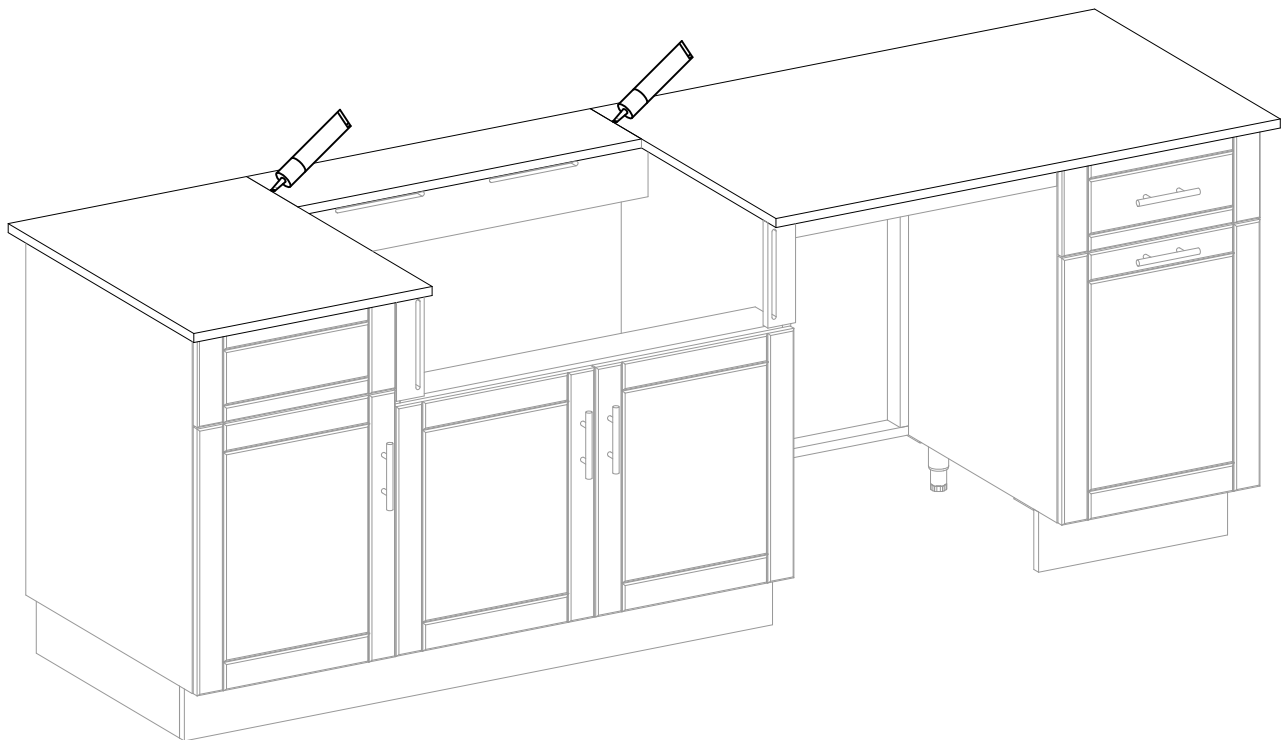
31. When all granite is in place, lift the front edge of granite top pivoting on the back edge about 3", being careful not to let the top slide or move to maintain that back 1". Apply the adhesive strips (provided) in the locations shown, then rest the counter back into position, verifying your 1" overhang. Repeat these steps for the other side. You can use a spacer block to set the countertop on while applying the adhesive strips. **Note: The tape does not allow the top to be moved around after top is lowered. Starting with only one corner down to start will allow the top to be lifted for adjustments until the 1" overhang is achieved.**



# COUNTER TOP CONTINUED

---

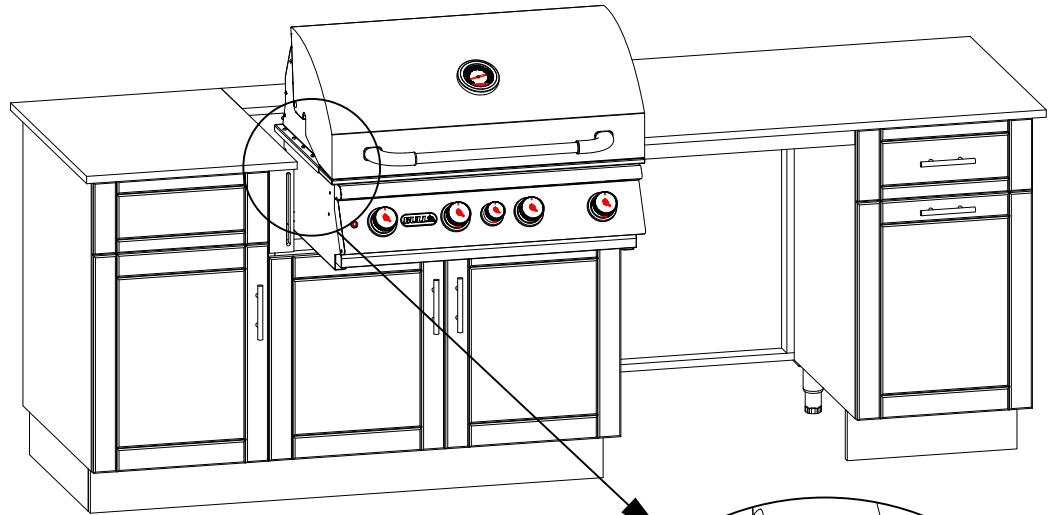
32. After all steps are completed, and granite is firmly adhered to the adhesive strips, you can apply the colored caulking provided in the granite counter joints. Clean the surface around the joints when finished.



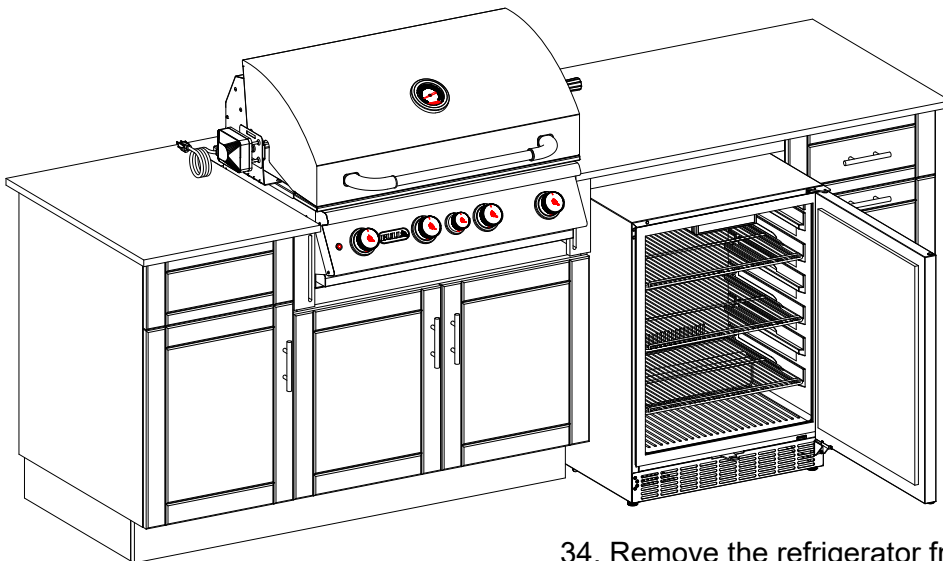
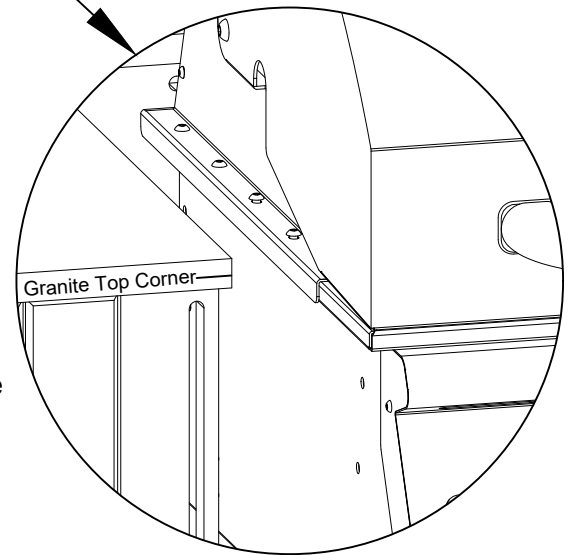


# Grill and Refrigerator Installation

---



33. Remove the grill from the box and set on even ground. It is recommended to remove the grates, heat shields, flame tamers, box of knobs and the rotisserie motor before installing. (This will remove unnecessary weight while lifting, which makes it easier to maneuver) **BE CAREFUL NOT TO CHIP THE GRANITE WHEN SLIDING THE GRILL IN PLACE.** Pay close attention to the granite edge. When the grill is a few inches back behind the front of the granite you can slide the rest gently into place.

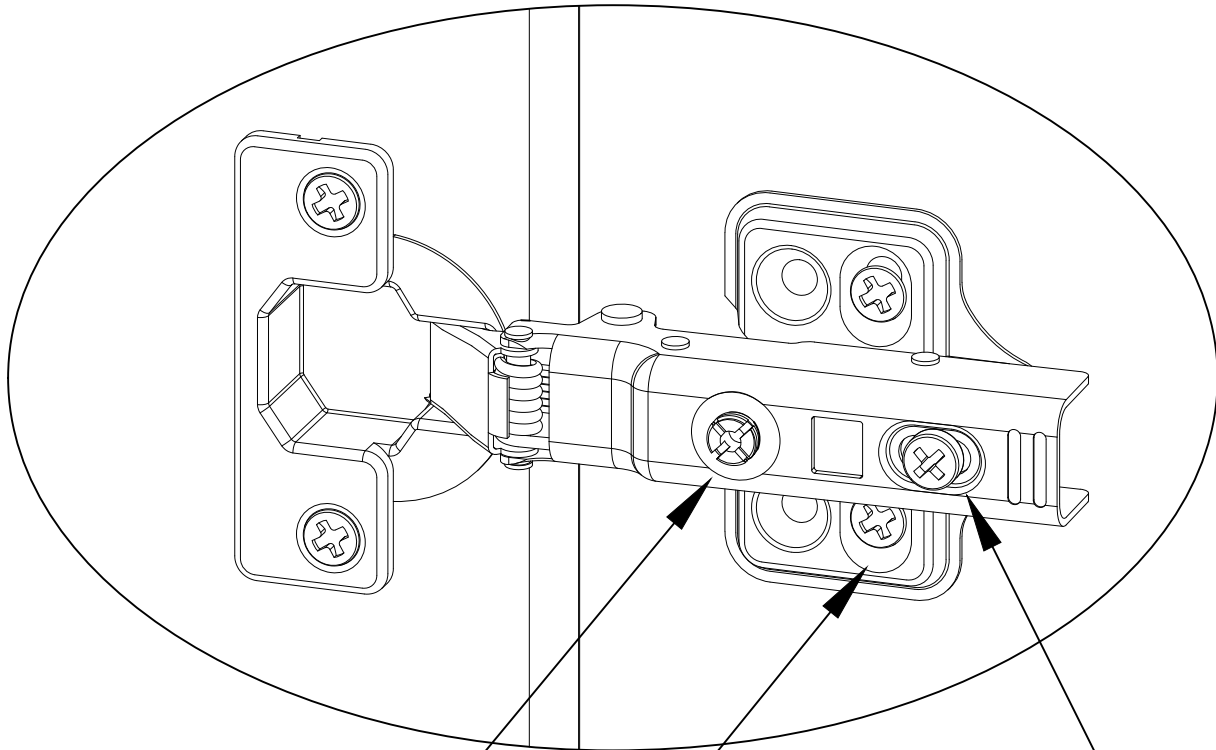


34. Remove the refrigerator from the box and place on level ground. It is recommended to remove the shelves and clips before installing. (This will remove unnecessary weight while lifting) With your palms facing up inside the center of the refrigerator, lift slowly in place. Do not use your feet or knees to install the refrigerator. Both will cause damage to your refrigerator.

# Hinge Adjustment

---

Doors might need adjustment and tightening after assembly due to shipping movement.



Adjustment point for door left  
and right position when door is  
closed.

Adjustment points for door elevation.

Adjustment point for door gap between cabinet box and door

## MAXIMUM RESILIENCY MEANS MINIMAL MAINTENANCE

*DuraBull* cabinetry is built to be UV and weather resistant. Crafted from high-density polyethylene (HDPE), *DuraBull* is built to withstand rigorous daily outdoor and indoor use. To keep *DuraBull* cabinetry looking good, follow these simple cleaning instructions.

## GENERAL CARE

- Clean regularly with a standard soap and water solution and a soft cotton cloth.
- Acceptable cleaners: 10% chlorine bleach dilution, hand washing liquid soap, glass cleaner, ammonia, furniture polish.
- If debris or grease appears on the surface, spray the affected area with a garden hose. If necessary, remove excess dirt and debris by scrubbing with a soft bristle brush or sponge.
- Allow the material to air dry or use a soft towel to remove excess moisture.
- A pressure washer with no greater than 1500 PSI may be used to remove dirt, dust, or other types of airborne particulates. Use a wide angled (40° >) spray nozzle and do not direct the sprayer less than 8" from the cabinetry surface.

## AVOID THE FOLLOWING CLEANING PRODUCTS

- Chemical cleaners, sprays, and hard scrubbers.
- Spic & Span which contains abrasives Sodium Carbonate and Sodium Silicate.
- Tilex which contains Sodium Hypochlorite.
- Comet which contains abrasives Calcium Carbonate and Sodium Carbonate

## Splatters & Spills

Clean spills and splatters immediately. Prolonged exposure to spills, including food, water, or other liquids, or to oil and grease splatters, can cause permanent discoloration or damage to your cabinet's finish.

## Regular Dusting

Use a clean/ dry soft cotton cloth for regular dusting. Packaged dusting sheets are not recommended. Do not use pre-moistened dusting sheets, or aerosol products made for dusting.

## HARDWARE CLEANING CARE

Decorative surface hardware such as drawer and door pulls, and knobs should be stainless steel, with stainless steel screws for best results. Refer to the hardware manufacturer's recommendations for the cleaning of stainless steel hardware.

Hinges and optional soft-close glides require little to no maintenance. Should dust or debris appear on the surface of a hinge or glide, remove using a soft bristle brush or toothbrush.

Apply spray lubricant such as WD-40 to the hinge. Then open and close the cabinet door a few times so the lubricant can work into the hinge while its parts are in motion.

**CAUTION:** Storing open containers of caustic chemicals inside the cabinets can be corrosive to the hinges



### DURABLE CONSTRUCTION

The 3/4" marine-grade HDPE is UV and weather-resistant. Cabinets will never rot, delaminate, or splinter and never need refinishing.



### INNOVATIVE TECHNOLOGY

Uniquely constructed with a hidden patented joinery technology for a beautiful finish with no visible fasteners.



### 100% RECYCLABLE

HDPE cabinets have a recycling code of 2, which means at the end of its lifetime, it is easily recycled into usable products for home and garden.



### LIMITED LIFETIME WARRANTY

Assures the cabinetry you are buying is of good quality and without manufacturing defects, for years of worry-free enjoyment.



### EASY TO CLEAN

Easy-to-clean surfaces means you spend more time enjoying your Outdoor Kitchen and less time cleaning them.



### DESIGNED IN THE USA

Discover the excellence of American ingenuity with our proprietary, and unique products. *DuraBull*™ cabinetry is manufactured and hand-assembled with materials sourced from American companies.



## LIFETIME LIMITED WARRANTY

*Thank you for purchasing A DuraBull high-quality Outdoor Kitchen! We trust that our products will bring you many years of outstanding service and appearance.*

*Bull Outdoor Products Inc. warrants that DuraBull products shall be free from defects in material and workmanship under the following conditions:*

This Warranty applies only to first quality High-Density Polyethylene (HDPE) cabinet carcasses, doors, drawers, and shelves. It is only applicable to properly installed products used in residential applications within the United States by the original purchaser, and it is not transferable. Hinges, leveling legs, and factory-installed hardware are provided with a 5-Year Limited Warranty subject to the same conditions, exclusions, and limitations detailed herein.

This Warranty does not cover normal wear and tear, accidents, spills, improper cleaning, misuse, improper installation, abuse, accidents, negligence, alterations, unauthorized repairs, commercial use, exposure or contact with caustic chemicals, and any other cause of damage unrelated to a defect in workmanship or material. In addition, environmental conditions, lighting, and surrounding colors can affect the perception of the colored finish, and sunlight and other conditions can cause natural aging of the finish. These are not defects covered by this Warranty.

Under the terms of this Warranty, Bull Outdoor Products Inc, in its sole discretion, will determine the appropriate remedy and will either repair or replace the defective item or parts. Refunds are generally not available. Bull Outdoor Products Inc. cannot guarantee that these replacements will match the residential application's original components' colors, hues, sheens, textures, finish, or appearance.

The repair or replacement of an item or part does not extend the duration of the warranty period or start a new warranty period. In-home inspection fees, transportation of the product to and from the retail store, and to and from Bull Outdoor Products Inc, if required for repairs are the responsibility of the purchaser.

HDPE is a manufactured product sourced by Bull Outdoor Products Inc. Colors are subject to availability and may be changed or discontinued over time. Bull Outdoor Products Inc reserves the right to alter design, specifications, and material without obligation to make similar changes to products previously manufactured.

If a warranty claim is filed after a product or color is discontinued, Bull Outdoor Products Inc reserves the right to honor the Warranty in one of the following fashions:

- To replace the affected component with a new component of the same style.
- To replace the affected component and any other component(s) in the residential application to achieve a reasonably uniform appearance with a similar and comparable product style to the initially purchased style.

This Warranty is provided only under the following conditions:

- Proper safeguards are incorporated in the use and care of cabinets in accordance with local building codes and Innovation Cabinetry's Installation Guide and Cabinet Cleaning and Care Guidelines including:
  1. Proper installation
  2. Protection against contact with extreme chemicals and harmful substances.
  3. Adherence to appliance manufacturers' specifications for installation and ventilation of cabinets.

THIS WARRANTY SHALL BECOME VOID IF THE CABINETS ARE IN ANY WAY MODIFIED, IMPROPERLY INSTALLED, OR DAMAGED BEFORE OR DURING THE INSTALLATION PROCESS. THE LIMITED WARRANTY IS THE EXCLUSIVE WARRANTY OF BULL OUTDOOR PRODUCTS INC. THIS LIMITED WARRANTY IS EXTENDED IN LIEU OF AND TO THE EXCLUSION OF ALL OTHER WARRANTIES, EXPRESS, IMPLIED, OR STATUTORY, INCLUDING ANY IMPLIED WARRANTY OF MERCHANTABILITY OR FITNESS FOR A PARTICULAR PURPOSE. IN NO EVENT SHALL BULL OUTDOOR PRODUCTS INC. LIABILITY EXCEED THE BUYER'S PURCHASE PRICE. THE LIMITED WARRANTY RUNS ONLY TO THE ORIGINAL END-USER OF THE PRODUCTS. THE LIMITED WARRANTY IS NOT INTENDED TO, AND DOES NOT, RUN TO ANY SUBSEQUENT BUYER OR END-USER, NOR TRANSFERRED TO ANY OTHER PERSON, UNLESS OTHERWISE SPECIFICALLY STATED IN WRITING BY AN OFFICER OF BULL OUTDOOR PRODUCTS INC. IN NO EVENT SHALL BULL OUTDOOR PRODUCTS INC BE LIABLE TO THE END-USER OR ANY THIRD PARTY FOR SPECIAL, COLLATERAL, INCIDENTAL, CONSEQUENTIAL, OR PUNITIVE DAMAGES. THIS WARRANTY GIVES YOU SPECIFIC LEGAL RIGHTS, AND YOU MAY HAVE OTHER RIGHTS, WHICH VARY FROM STATE TO STATE. SOME STATES DO NOT EXCLUDE OR LIMIT INCIDENTAL OR CONSEQUENTIAL DAMAGES, SO THE ABOVE LIMITATIONS OR EXCLUSIONS MAY NOT APPLY.

HOW DO YOU OBTAIN WARRANTY SERVICE? To obtain warranty service, you must submit a warranty claim online through the Bullbq.com website during the Warranty Period. Warranty claims will not be accepted via email, fax or phone.

