



The Bull Power Warm 48" 5000-watt Infrared Dual Mount Outdoor Heater Model No. 26200

INSTALLATION USE & CARE MANUAL

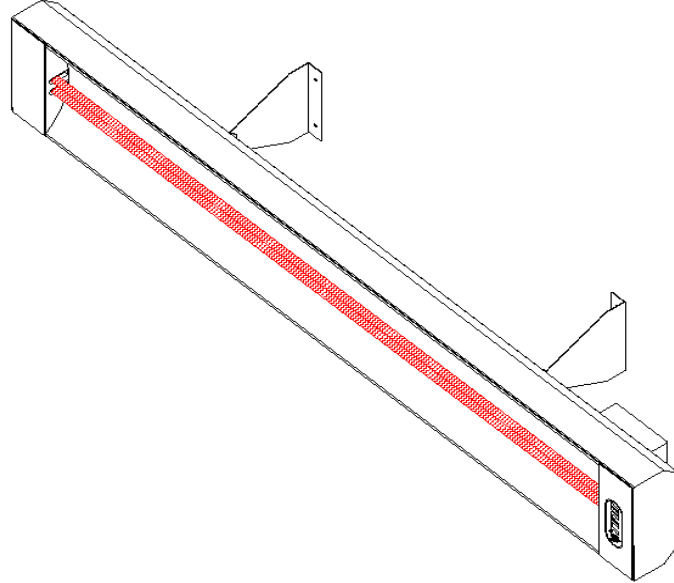


TABLE OF CONTENTS

Warnings	2
Installation Instructions	3
Wiring Instructions	3
Mounting Instructions	4
Replacement Element Installation	5
Replacement	5
Heater Coverage Areas	6
General Notes	6
Maintenance Instructions	6
Trouble Shooting	7
Location Suggestions	7
Warrant	8

V2024.06.07



SAVE THIS MANUAL FOR FUTURE REFERENCE





WARNINGS

READ ALL INSTRUCTIONS BEFORE USING HEATER. Unit may be a source of possible shock. **NEVER** attempt to service heater without disconnecting its power source. Source of possible ignition.

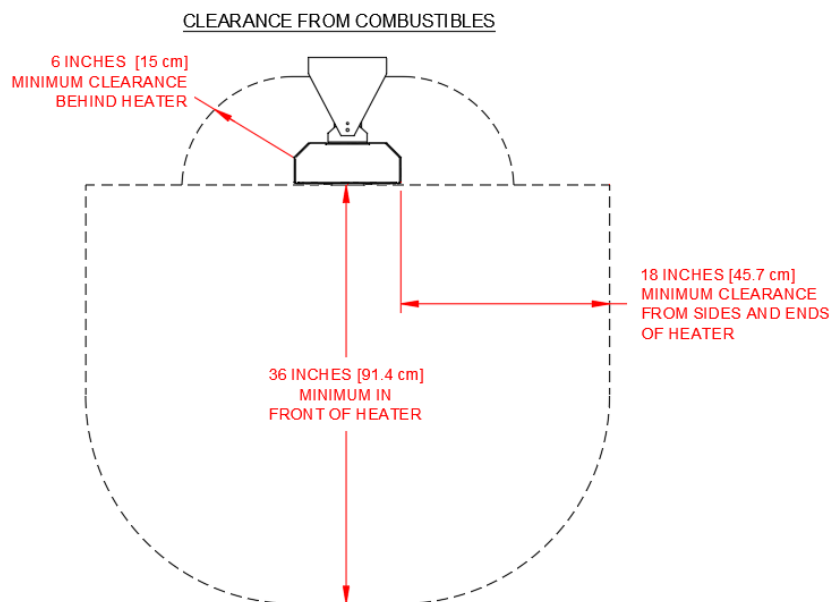


WARNING: If not installed, operated, and maintained in accordance with the manufacturer's instructions, this product can expose you to chemicals including nickel, which are known to the State of California to cause cancer. For more information go to www.P65Warnings.ca.gov.

CAUTION

High Temperature, risk of fire, keep electrical cords, drapery, furnishings, and other combustibles at least 3' (0.9m) from the front of heater and away from sides and rear.

MOUNTING HEIGHT/CLEARANCES



- For Wall-Mounting, do not install heater closer than 18" (45.7cm) from adjacent walls and 12" (30.5cm) from ceiling and do not install less than 6' (1.8m) if the heater is labeled as UL Listed and 8' (2.4m) if the heater is labeled as UL/CUL Listed from floor, while heater is set at a downward angle of 30 to 60 degrees.
- For Ceiling-Mounting, do not install heater closer than 18" (45.7cm) from adjacent walls and 6" (15.2cm) from ceiling and do not install less than 6' (1.8m) if the heater is labeled as UL Listed and 8' (2.4m) if the heater is labeled as UL/CUL Listed from floor, while heater is at a maximum 30 degrees.
- Do NOT operate within 25' (7.6m) of flammable/explosive material.
- Never block heater.
- Heaters greater than 240 Volts are for "Commercial Use Only. Risk of fire. Do not use as a residential or household heater."
- A means for disconnection of the appliance must be incorporated in accordance with the local wiring codes.
- Do not use if the heating element is damaged or cracked.
- Not for use as a replacement for forced air/ductless heating.
- Do not leave powered heaters unattended.

"IMPORTANT INSTRUCTIONS"
"SAVE THESE INSTRUCTIONS"



INSTALLATION INSTRUCTIONS

This heater must be permanently installed and hard wired by a licensed electrician in accordance with local electrical codes. Assembly procedure must be performed with no electrical power to unit.

Step 1: Check UL/CUL/CE label on heater for proper voltage.

Step 2: Follow supplied wiring instructions. (See wiring instructions below)

Step 3: Heater must be mounted with reflector angled down.

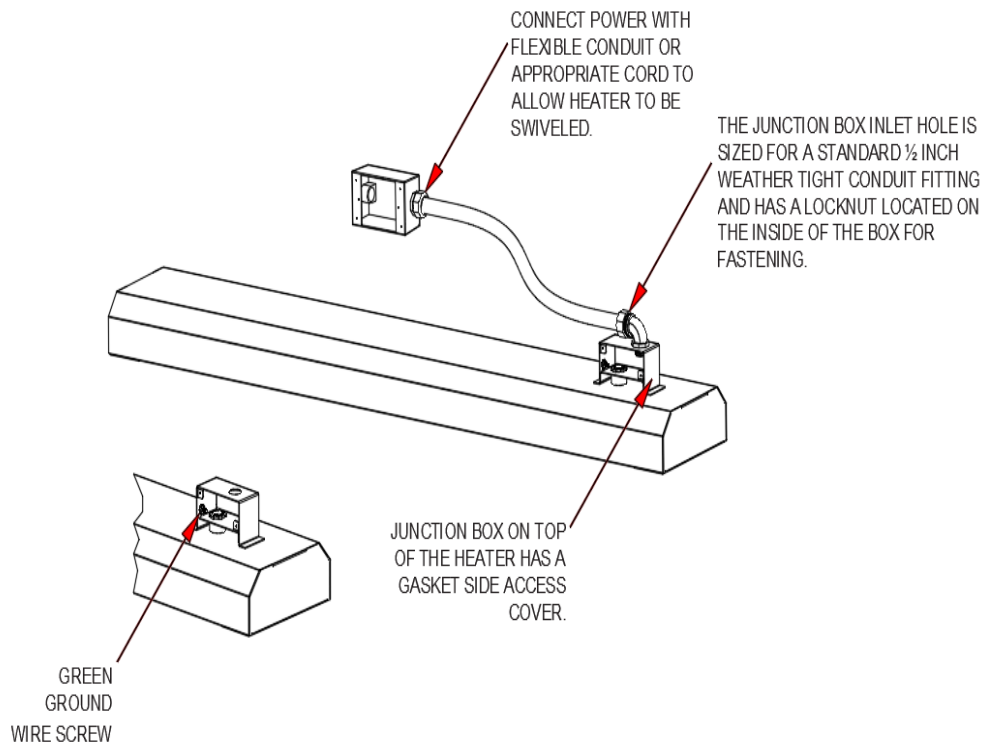
Step 4: All electrical connections must be in compliance with the National Electric Code (NEC) and local codes for outdoor wiring.

Step 5: Use only wiring components UL/CUL/CE listed for outdoor use with IPX4 minimum rating.

WIRING INSTRUCTIONS

The heater is drilled and threaded for standard 1/2" conduit fittings. The installing electrician will need to provide the appropriate rigid metallic, flexible or liquid tight conduit for the installation location.

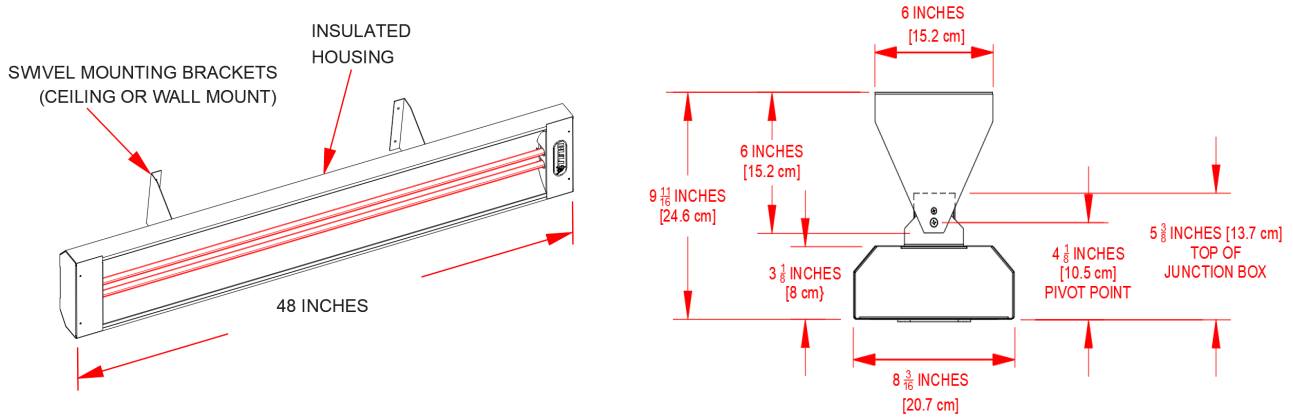
- Observe local electrical code regulations.
- Remove cover plate from junction box.
- Attach conduit.
- Use only copper wire suitable for 194° F / 90°C.





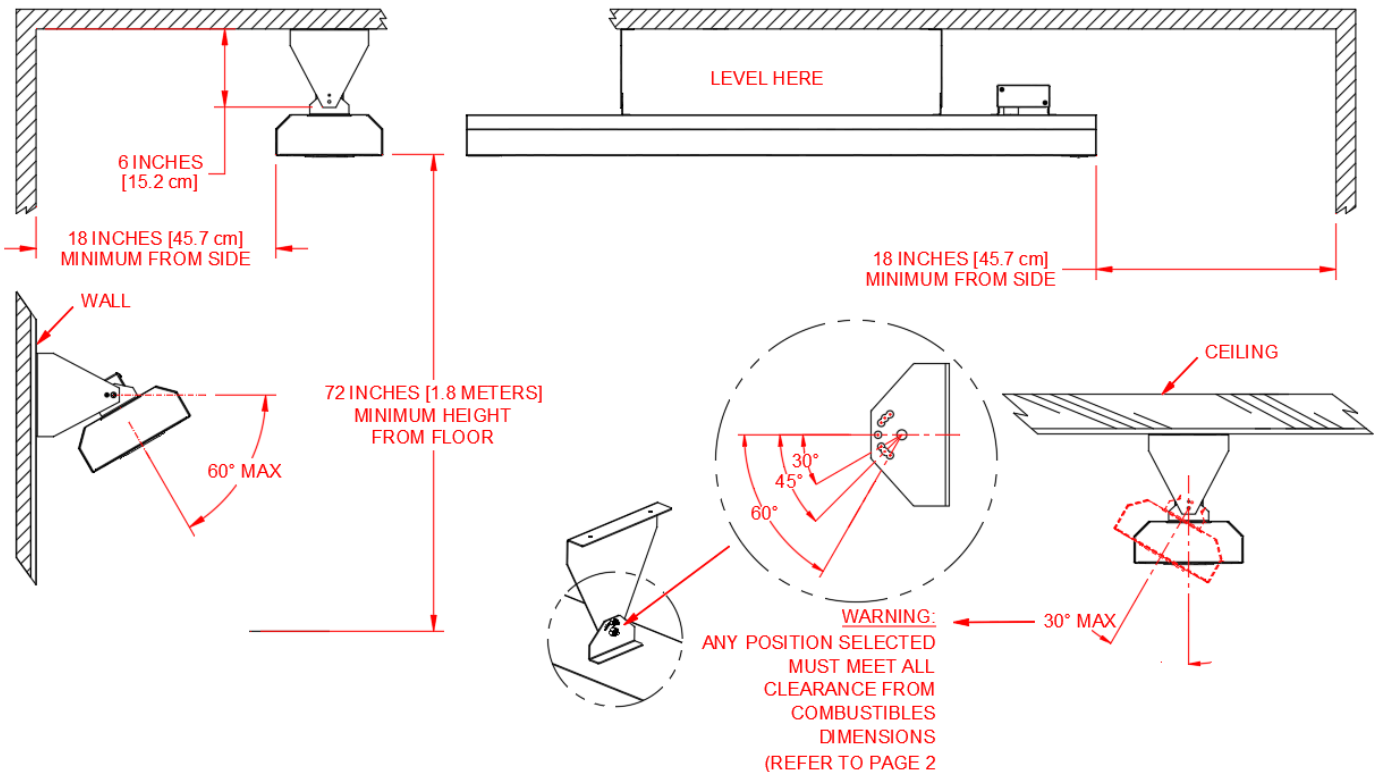
MOUNTING INSTRUCTIONS

These models may be chain or bracket mounted to any ceiling or horizontal surface. Installation must be such that 18" (45.7cm) minimum clearance is maintained around the heater on all four sides and 36" (91.4cm) directly in front. A minimum of 6" (15.24cm) of clearance provided by mounting brackets is required behind the plane of the face. Heater can be hung using chains or custom brackets. Heater must be level but can be rotated around its horizontal axis.



Heater must be installed with the quartz tube horizontally level. For maximum tube life, use a carpenter's level tool to find the optimum level position for the heater's body. It's important to always maintain the minimum clearances from the heater body to any combustible materials.

DETAIL OF HEATER MULTI POSITION MOUNTING BRACKET TAB

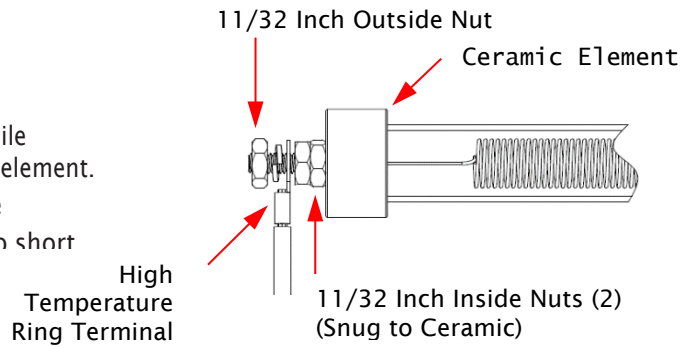




REPLACEMENT ELEMENT INSTALLATION

Disconnect the power at the breaker. Remove the grill by grasping it in the middle, flex grill up and lift it off. Unscrew and remove both end covers. Unhook element clips at each end of the heater and remove nuts from end of element to remove the existing quartz tube. Carefully install the new element. Remove one nut from end of the new element. Install wire by sliding high temperature ring terminal onto element screw and replace nut. Use a thin 11/32" wrench to hold inside nut. Nuts must make a tight connection. Close element clips over tube, reinstall end covers, then snap protective grill back in place.

NOTE: Hold ceramic element firmly while tightening nut to prevent damage to element. Nut should be tightened snug. A loose connection can cause the element to short or fail prematurely.



SCAN FOR VIDEO INSTRUCTIONS



REPLACEMENT ELEMENTS

Consult the label on the back of Heating Element for proper watts and voltage information.

BULL PART NO.	QUANTITY	DESCRIPTION
26201	2	REPLACEMENT HEATING ELEMENT

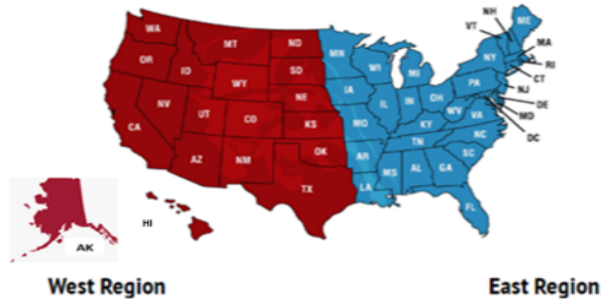
HOW TO ORDER REPLACEMENT PARTS

To Order Replacement Parts on-line go to:

<https://www.bullbbq.com/buy-parts>

Ordering Parts by phone:

Bull is ready to help with two regional suppliers open 8:00 am to 5:00 pm Monday through Friday. For the Western Region, call (800) 258-6810 For the Eastern Region, call (800) 229-3056



WARNING: Use of any part that is not factory authorized will void your warranty and may be dangerous.

REPLACEMENT PARTS LIST

BULL PART NO.	QUANTITY	DESCRIPTION
26202	1	DUPLEX SWITCH
26208	1 (Set of 2)	MOUNTING BRACKET
26209	1 (Set of 2)	DUAL ELEMENT END COVER
26210	1	BODY REFLECTOR 48 INCH
26211	1	GRILL GUARD
26212	1	LEAD WIRE SET



DUAL ELEMENT AREAS COVERED (FEET)

BULL PART NO.	WATTS	MOUNTING HEIGHT	AVERAGE CONDITION COVERAGE AREA	COLDER CONDITION COVERAGE AREA	PROTECTED CONDITION COVERAGE AREA
26200	5000	8' - 10'	11' X 11'	10' X 10'	12' X 12'

NOTE:

Mounting height should not be less than 6 feet if the heater is labeled as UL listed.
Mounting height should not be less than 8 feet if the heater is labeled as CUL listed.

GENERAL NOTES

- BULL QUARTZ TUBE ELECTRIC HEATERS are furnished with multi-position wall/ceiling mount brackets.
- See sales literature and price list for full listing of models, descriptions, amperages, and voltages. At times, especially when the mounting height might be quite low, an increased number of smaller heaters can help prevent overheating.
- Dual Element Heaters can be wired with our Duplex/Stack Switch, which enables the ability to turn on and off each element independently, providing for half power/full power capabilities.
- For ideal comfort heat, the best solution is to heat from two sides rather than from just one side. However, there are times when this is not practical.
- Coverage areas are approximate dimensions and will vary depending on prevailing and personal comfort levels.
- Indoor or well-protected environments will generally exceed average (see charts). Heaters can provide less than average coverage in extremely cold/windy conditions.

MAINTENANCE INSTRUCTIONS

Always turn off the power and wait for the heater to cool completely before performing any maintenance.

To remove surface contamination from the heater housing end covers, wipe down using a clean, scratch-free rag using isopropyl alcohol, a mild, non-harsh detergent, or warm water. A stainless-steel cleaner or polish can remove any oxidation, surface rust, or discoloration on the bare metal surface.

After cleaning, thoroughly dry the surface with a soft cloth. Leaving water spots can accelerate corrosion. Before reconnecting the power, remove all water, solvents, or cleaners and dry the heater.



TROUBLESHOOTING

PROBLEM	WHAT TO DO
Heater does not glow	<ul style="list-style-type: none">· Check supply voltage to confirm it matches voltage of heating element.
Low heat output	<ul style="list-style-type: none">· A 240V element connected to 110V or 208V will warm, but not glow orange or generate sufficient heat for typical applications (Matching your voltage is extremely important). If element is visibly orange, but there is insufficient heat, refer to the areas covered with respect to conditions and mounting heights.
Heater does not work	<ul style="list-style-type: none">· Disconnect power and check element with an ohm meter for continuity. If there is any continuity across the bulb, the problem is in the wiring/controls.· Check that there is proper voltage to the heater.· Check that the control/switch is working.· Check main power circuit breaker.· Check wiring for a loose connection or burned wire.

LOCATION SUGGESTIONS

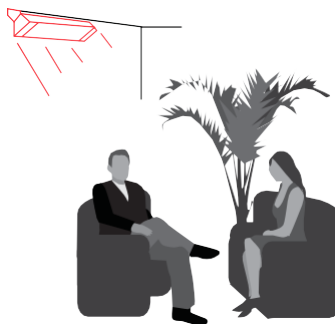
Unless heaters are installed over 12' (3.7m) high, it is generally recommended that all radiant heaters be mounted on an angle to assure that radiant warmth is distributed from the sides rather than straight down on the heads and shoulders of the people being warmed.

RECOMMENDED POSITIONING



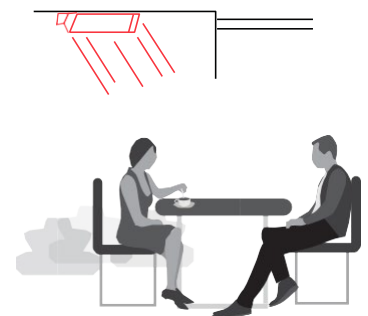
Angle fixture 30° to 60° from horizontal face down. Best angle is approximately 45°.

INSTALLATION DIRECTION



Install fixture to heat the area from the “cold side” if possible. This helps compensate for increased body heat losses due to exposure. Warm floors reradiate heat. Warmer air rises from floor. Some heat reflects from floor. Mounting a heater directly over a table or other obstruction will block the energy, primarily heating the object. It is best to move heater to the side, allowing complete body and floor coverage.

OUTDOORS



When outdoors, hang heater under protective roof or weather cover whenever possible. Even though heater is all-weather construction, it will last longer and look better if it is protected from rain and snow.



LIMITED PRODUCT WARRANTY

Model #: _____ Serial #: _____

Date of Purchase: _____ Purchased From: _____

Thank you very much for purchasing a **The Bull Power Warm 48" 5000-watt Infrared Dual Mount Outdoor Heater**. We have designed this heater to provide you and your family with many years of great outdoor experiences. Please fill in the Model and Serial number as well as date of purchase in the areas indicated above. Please save this information for future reference. To get the full and safe enjoyment of your electric heater please read your Owner's Manual carefully and review the proper operating and safety instructions with any family members that may be using the heater.

Manufacturer Warranty:

BULL OUTDOOR PRODUCTS warrants that this electric heater is designed and manufactured to be free from defects in materials and workmanship for a period of **THREE YEARS** from original date of purchase.

NOTE: Use of competitor controls or accessories with Bull heaters may void the Warranty.

Extent of Warranty:

This warranty extends to the selling dealers to the original purchaser at the original site of installation: This warranty becomes valid at the time of purchase and ends either by specified time frame listed above, owner transfer or relocation. In order to activate the warranty we require that you send in the attached warranty registration form. This registration is for our internal use only and will only be used in the event we need to send you important safety related product information. The information will not be sold or used for any marketing related purposes.

Warranty Limitations and Exclusions:

This warranty excludes ALL associated labor costs, including any labor or service to remove, repair, or reinstall the product. This limited warranty solely covers manufactured replacement parts. This warranty does not apply to damages resulting from negligence, alteration, misuse, abuse, accident, natural disaster, improper installation or improper operation, unauthorized adjustments or calibrations, dings, dents, scratches, nor damages due to harsh chemicals (i.e. cleaning products improperly applied). Warrantor is not responsible for consequential or incidental damages. Under no circumstances shall BULL OUTDOOR PRODUCTS or any of its representatives be held liable for injury to any person or damage to any property, however arising.

Important: Please retain original proof of purchase to establish warranty period.

Any implied warranties of merchantability and fitness applicable to the equipment are limited in duration to the period of coverage of this express written warranty. This warranty grants specific legal rights to the purchaser. Other rights, which may vary from state to state, may also apply. Title to the merchandise passes to the consignee upon acceptance by the carrier. After acceptance by the carrier, the merchandise travels at the risk of the purchaser. In the event of freight damage, do not refuse shipment. Advise both the freight agent and the shipper of the damage. Note the details of that damage on the freight bill before any freight charges are paid and file a claim for damages with the freight agent.

Online Warranty Registration

Register your Bull heater online today and you'll not only be covered by the most extensive three-year warranty in the industry - you'll also be automatically enrolled in our Heater Maintenance Program. This means you can enjoy industry-leading customer support and receive free replacement end reflectors when needed, to keep your heating system looking as new as the day it was installed.

Register at:

<https://www.bullbbq.com/support-warranty> (United States Customers)

<https://bullbbq.eu/customer-care/#warranty-registration-form> (International Customers)

----- CUT HERE -----

BULL WARRANTY REGISTRATION OR GO TO <https://bullbbq.com/register>

Customer Name: _____

Address: _____

City: _____ State: _____ Zip: _____

Phone: _____ E-mail: _____

Model #: _____ Serial #: _____

Dealer's Name: _____ Date Purchased: _____

Dealer's Address: _____

This Warranty Registration Card must be returned within thirty days of purchase to properly activate your warranty. This information is for our internal use only.

BULL OUTDOOR PRODUCTS, INC.
1011 East Pine St. Lodi, CA 95240
Attn: Warranty Service Center