



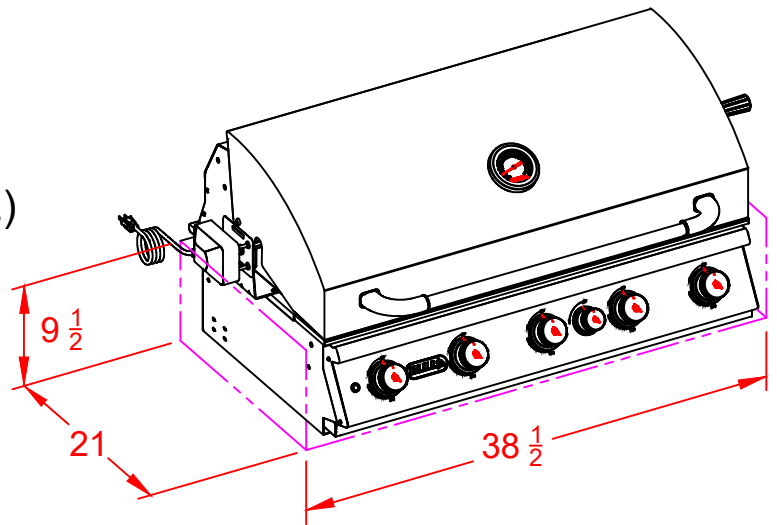
WWW.BULLBBQ.COM

# BRAHMA 5 BURNER GRILL

## SPEC SHEET

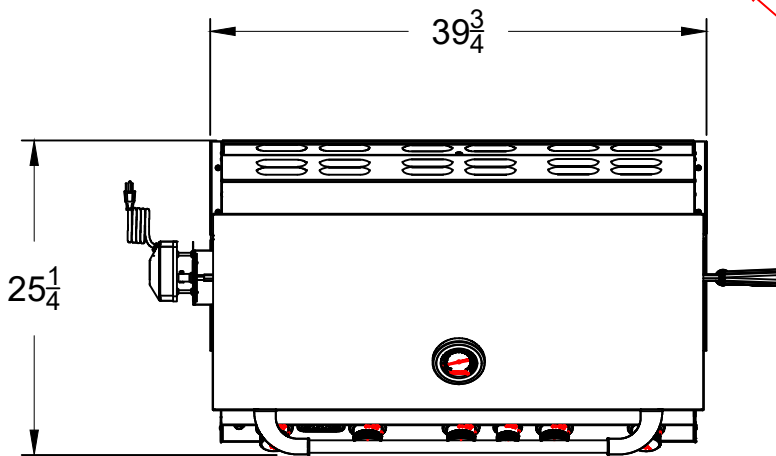
ITEM# 57568 LP (LIQUID PROPANE)

ITEM# 57569 NG (NATURAL GAS)

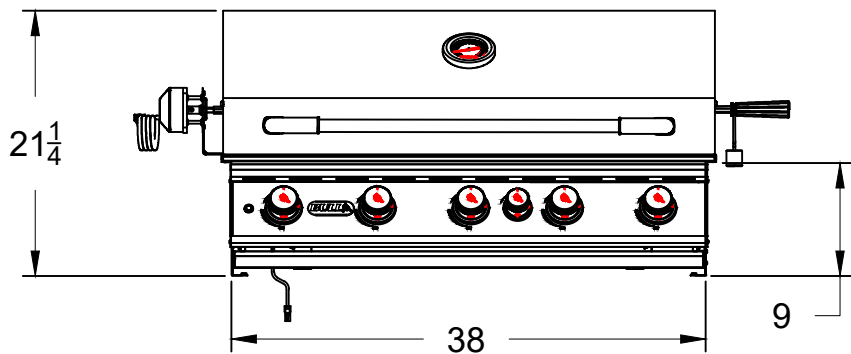


### PERSPECTIVE VIEW

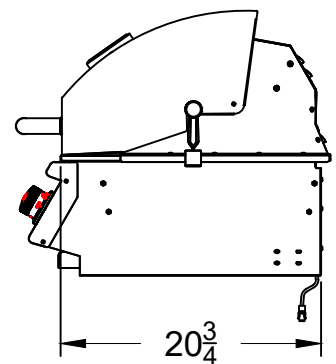
WITH INSTALLATION  
CUT OUT DIMENSIONS



### TOP VIEW



### FRONT VIEW



### RIGHT SIDE VIEW

### NOTES:

- 1) ALL DIMENSIONS ARE IN INCH UNITS.
- 2) REFER TO PERSPECTIVE VIEW FOR INSTALLATION CUTOUT DIMENSIONS.

v.2024.05.23