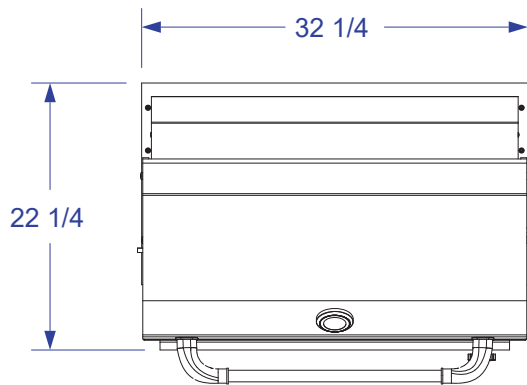
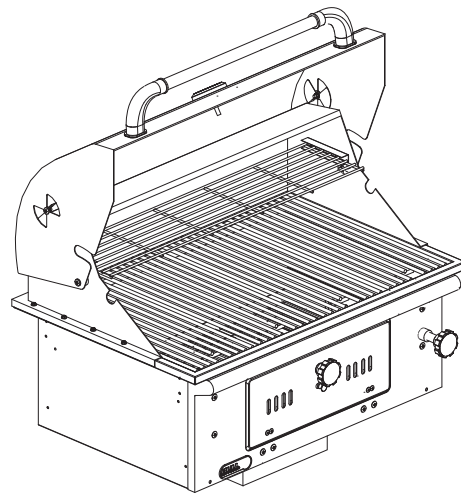


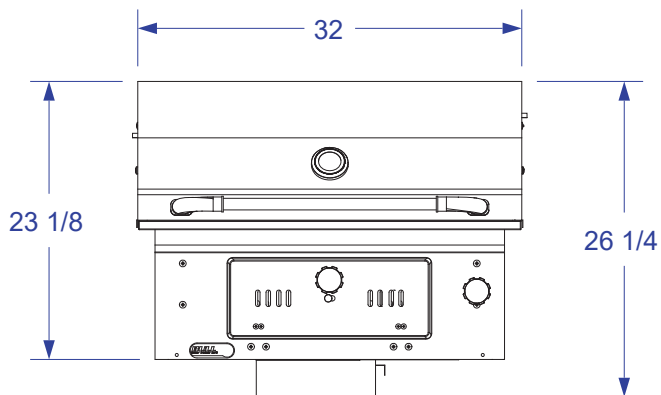


# BISON CHARCOAL GRILL SPEC SHEET

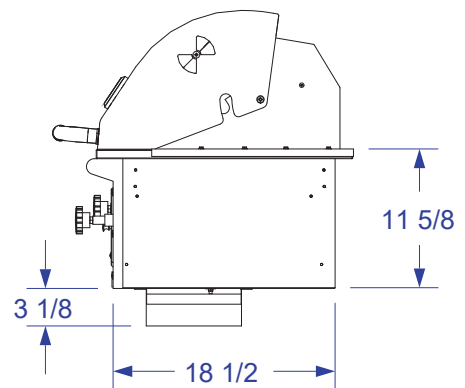
ITEM# 67529



TOP



FRONT



RIGHT

**NOTES:**

1. CUTOUT DIMENSIONS: 29 1/2"W X 18"D X 11 1/2"H
2. ISLAND MUST BE CONSTRUCTED OF NON-COMBUSTIBLE MATERIAL.
3. SCALE: 3/4" = 1'-0"