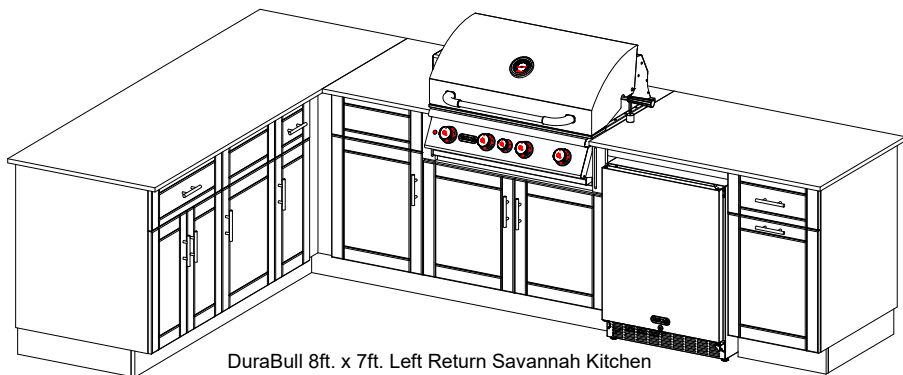
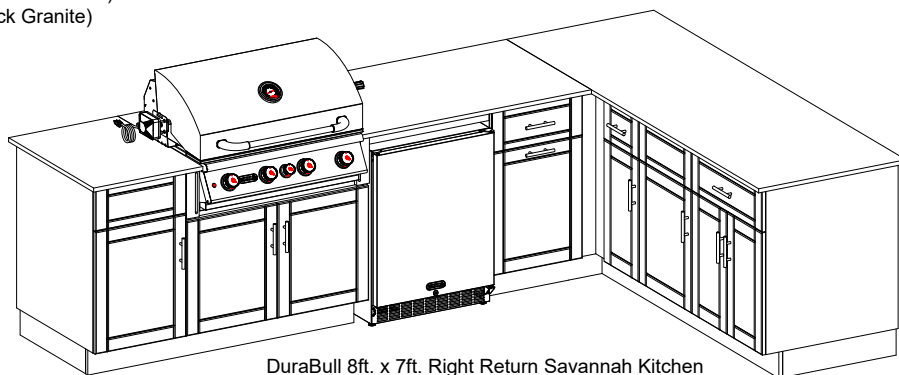


DuraBULL™

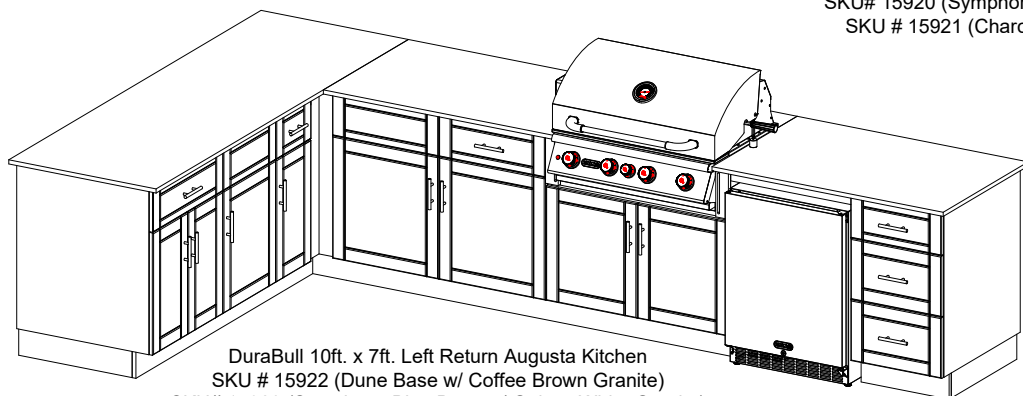
Installation Guide



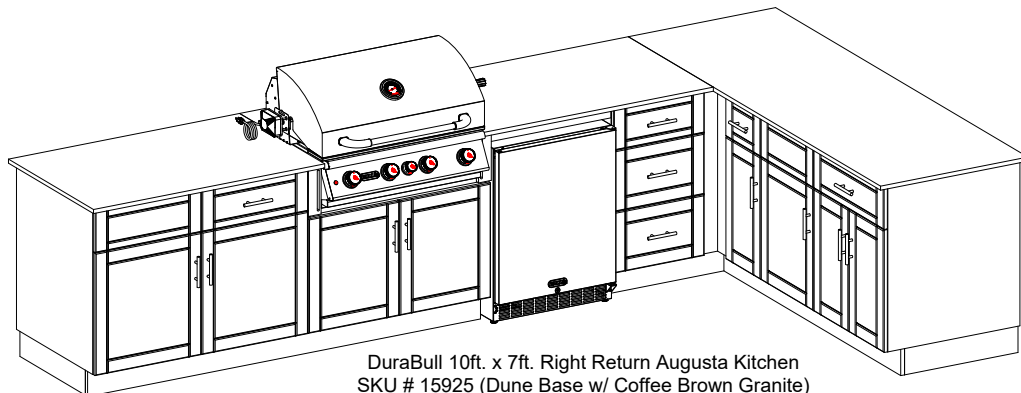
DuraBull 8ft. x 7ft. Left Return Savannah Kitchen
SKU # 15916 (Dune Base w/ Coffee Brown Granite)
SKU# 15917 (Symphony Blue Base w/ Galaxy White Granite)
SKU # 15918 (Charcoal Base w/ Midnight Black Granite)



DuraBull 8ft. x 7ft. Right Return Savannah Kitchen
SKU # 15919 (Dune Base w/ Coffee Brown Granite)
SKU# 15920 (Symphony Blue Base w/ Galaxy White Granite)
SKU # 15921 (Charcoal Base w/ Midnight Black Granite)



DuraBull 10ft. x 7ft. Left Return Augusta Kitchen
SKU # 15922 (Dune Base w/ Coffee Brown Granite)
SKU# 15923 (Symphony Blue Base w/ Galaxy White Granite)
SKU # 15924 (Charcoal Base w/ Midnight Black Granite)

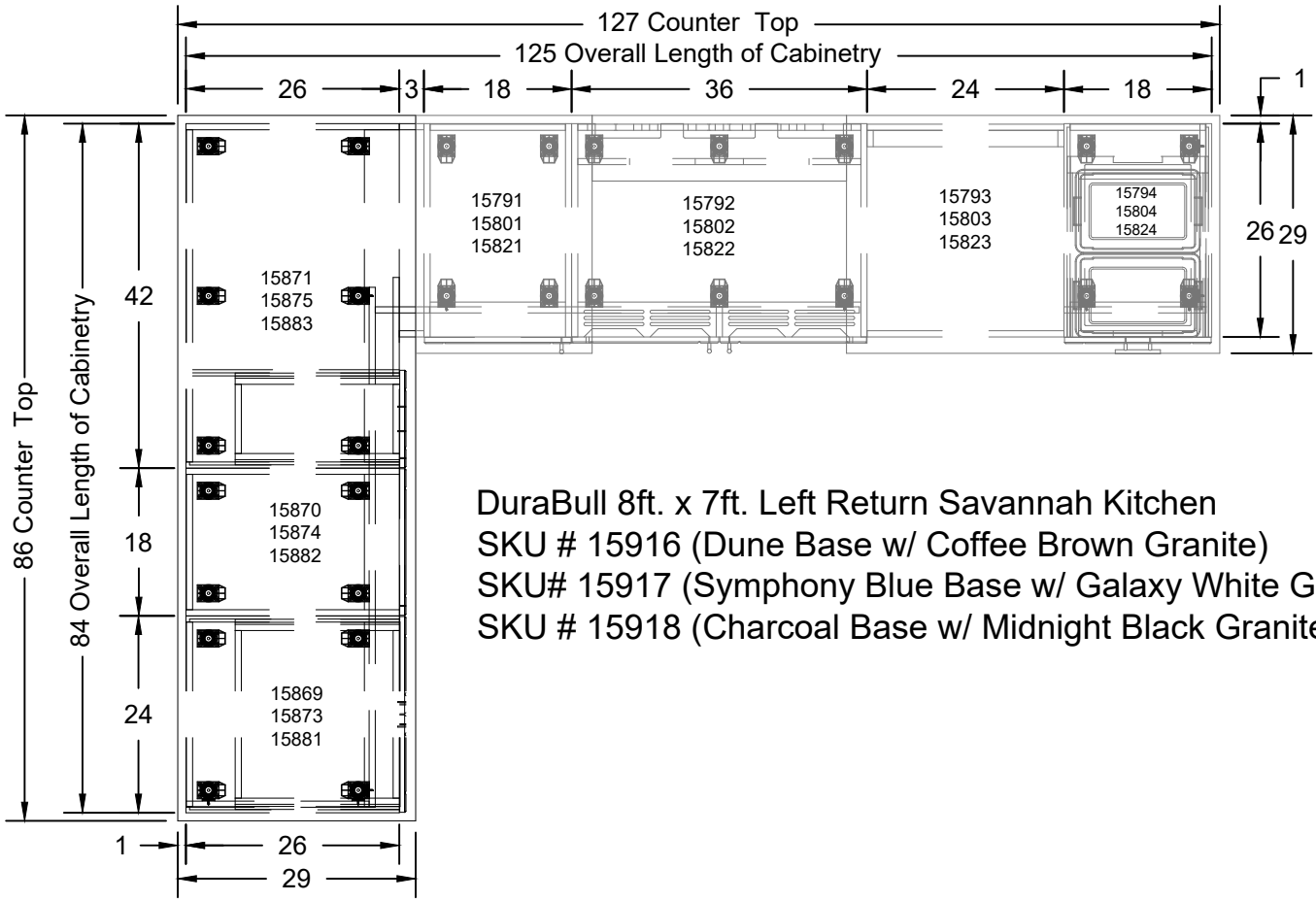


DuraBull 10ft. x 7ft. Right Return Augusta Kitchen
SKU # 15925 (Dune Base w/ Coffee Brown Granite)
SKU# 15926 (Symphony Blue Base w/ Galaxy White Granite)
SKU # 15927 (Charcoal Base w/ Midnight Black Granite)

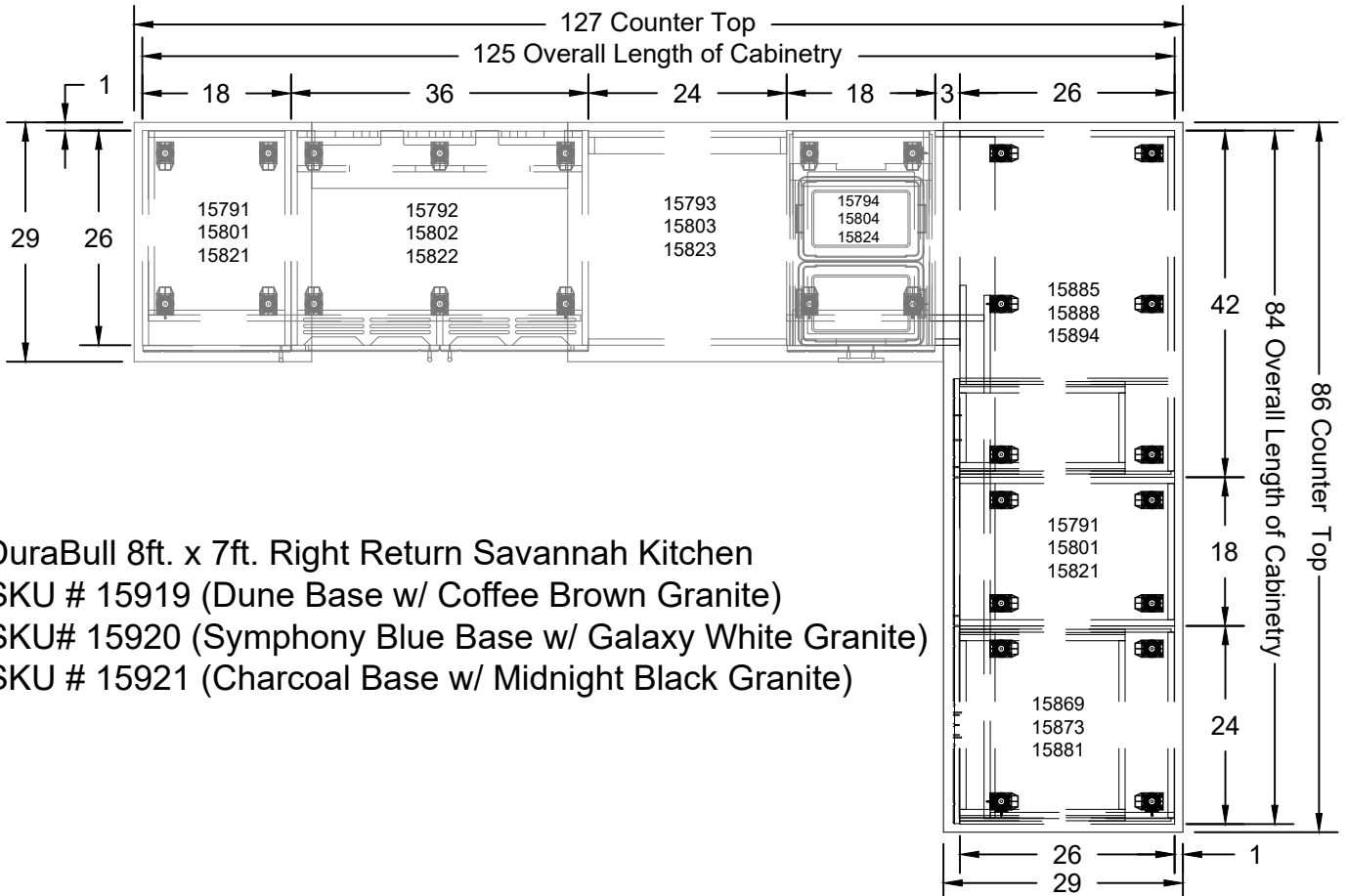
TABLE OF CONTENTS

Cabinetry Layouts for Savannah Kitchen.....	2
Cabinetry Layouts for Augusta Kitchen.....	3
Parts List (8' Section of Savannah Kitchen).....	4
Parts List (10' Section of Augusta Kitchen).....	5
Parts List (7' Left Return).....	6
Parts List (7' Right Return).....	7
Replacement Toe Kicks.....	8
Tools Required.....	9
Prepping Cabinets.....	10
Installing Cabinet Legs.....	11
Standing the Cabinets Upright.....	12
Setting and Leveling the Cabinets.....	13,14
Adding Optional Cabinet Wall Filler Strips.....	15
Securing the Cabinets Together.....	16
Determining Vertical Trim Cabinets.....	17
Adding Vertical Filler Pieces.....	18
Securing the Cabinets Together	19-21
Adding Refrigerator Panel.....	22
Adding Front Filler Piece for Premium Refrigerator.....	23
Adding Front Filler Piece for Standard Contemporary Refrigerator...	24
Toe Kick Preparation and Installation.....	25-29
Side Toe Kick Installation.....	30
Handle Installation.....	31
Countertop Installation.....	32
Adhering the Countertop to the Cabinets.....	33
Grouting Countertop Seams.....	34
Grill and Refrigerator Installation.....	35
Hinge Adjustment.....	36
Cabinet Cleaning and Care.....	37
Warranty.....	38

Cabinetry Layouts

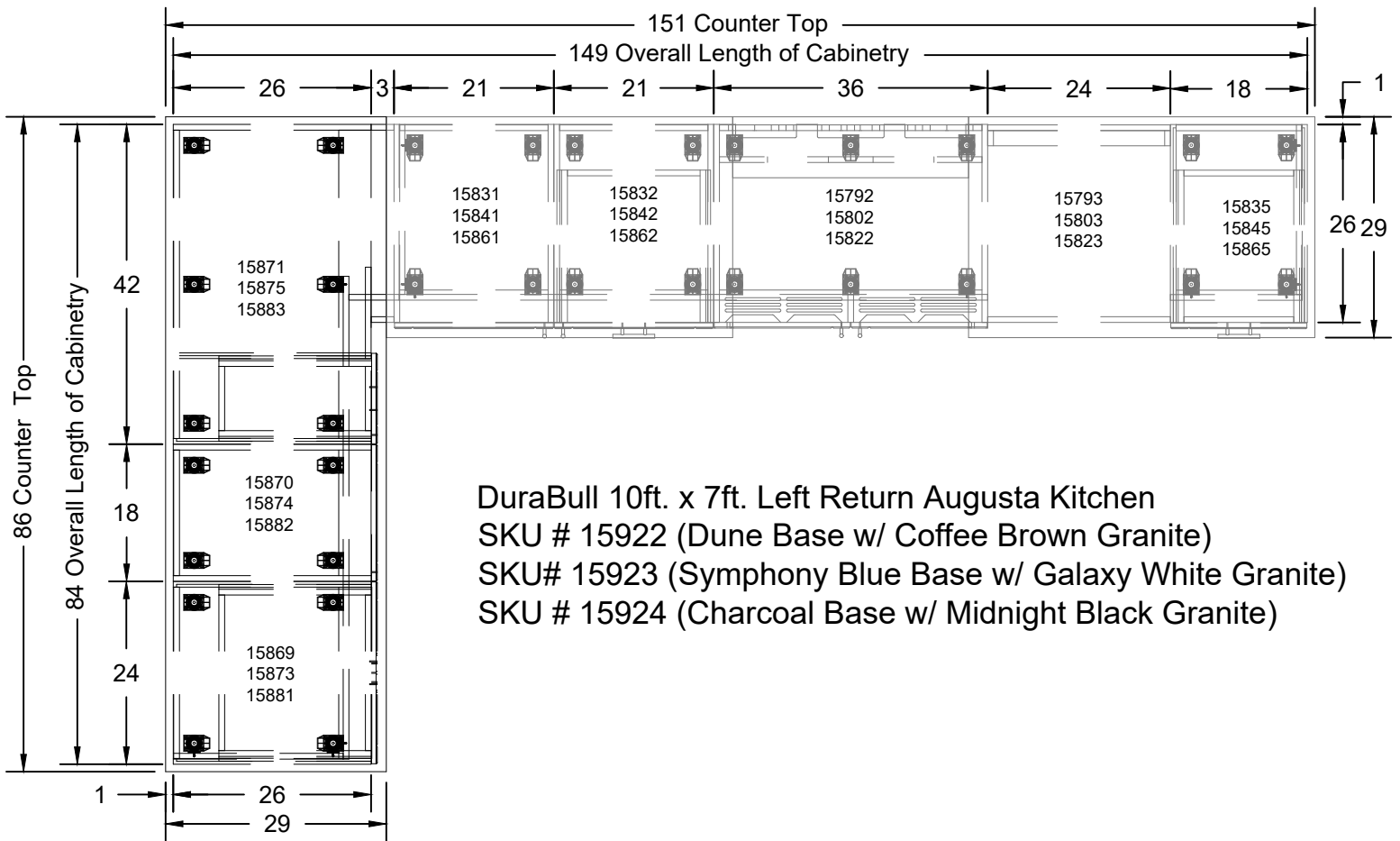


DuraBull 8ft. x 7ft. Left Return Savannah Kitchen
 SKU # 15916 (Dune Base w/ Coffee Brown Granite)
 SKU# 15917 (Symphony Blue Base w/ Galaxy White Granite)
 SKU # 15918 (Charcoal Base w/ Midnight Black Granite)

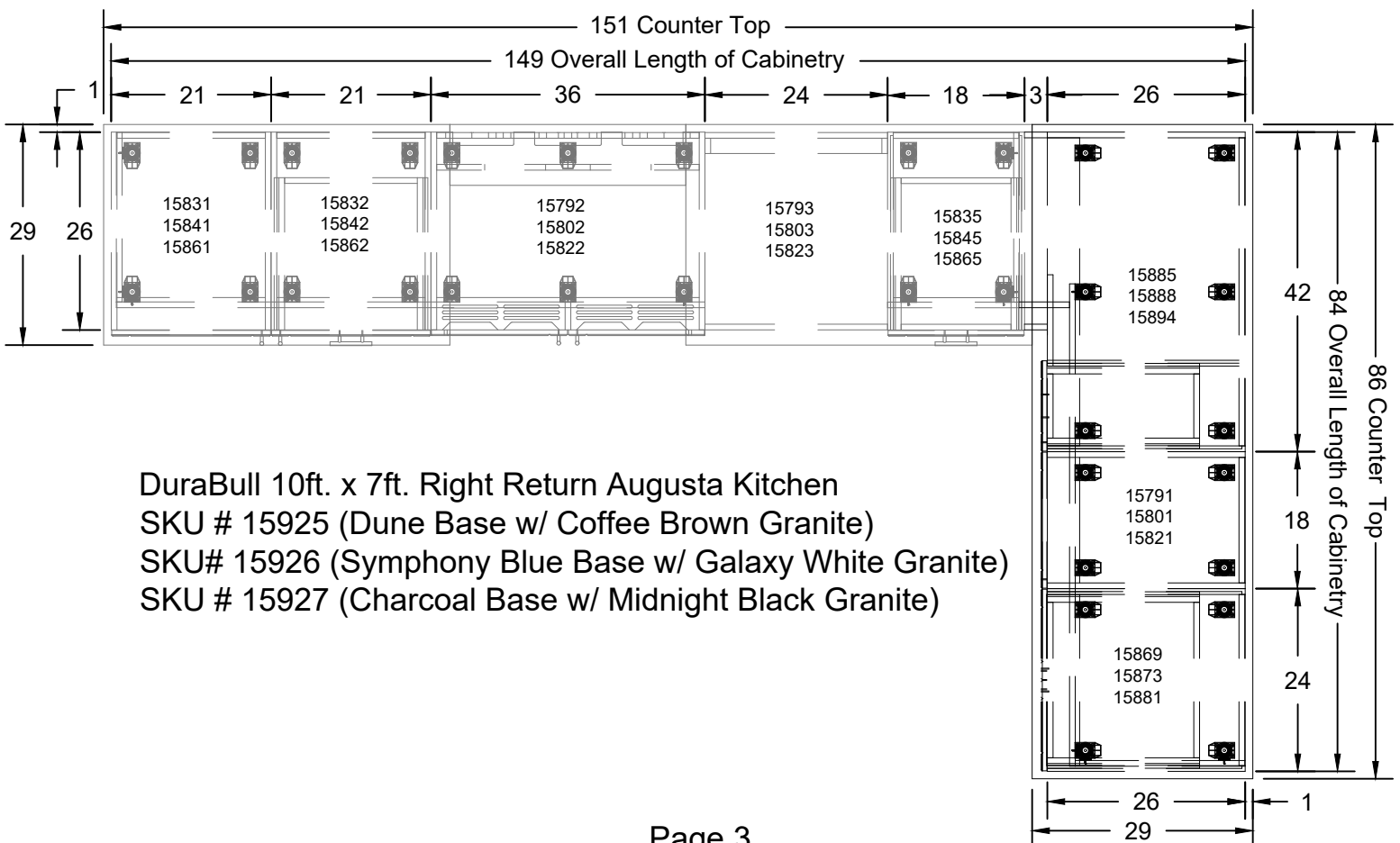


DuraBull 8ft. x 7ft. Right Return Savannah Kitchen
 SKU # 15919 (Dune Base w/ Coffee Brown Granite)
 SKU# 15920 (Symphony Blue Base w/ Galaxy White Granite)
 SKU # 15921 (Charcoal Base w/ Midnight Black Granite)

Cabinetry Layouts



DuraBull 10ft. x 7ft. Left Return Augusta Kitchen
 SKU # 15922 (Dune Base w/ Coffee Brown Granite)
 SKU# 15923 (Symphony Blue Base w/ Galaxy White Granite)
 SKU # 15924 (Charcoal Base w/ Midnight Black Granite)



DuraBull 10ft. x 7ft. Right Return Augusta Kitchen
 SKU # 15925 (Dune Base w/ Coffee Brown Granite)
 SKU# 15926 (Symphony Blue Base w/ Galaxy White Granite)
 SKU # 15927 (Charcoal Base w/ Midnight Black Granite)

Parts List

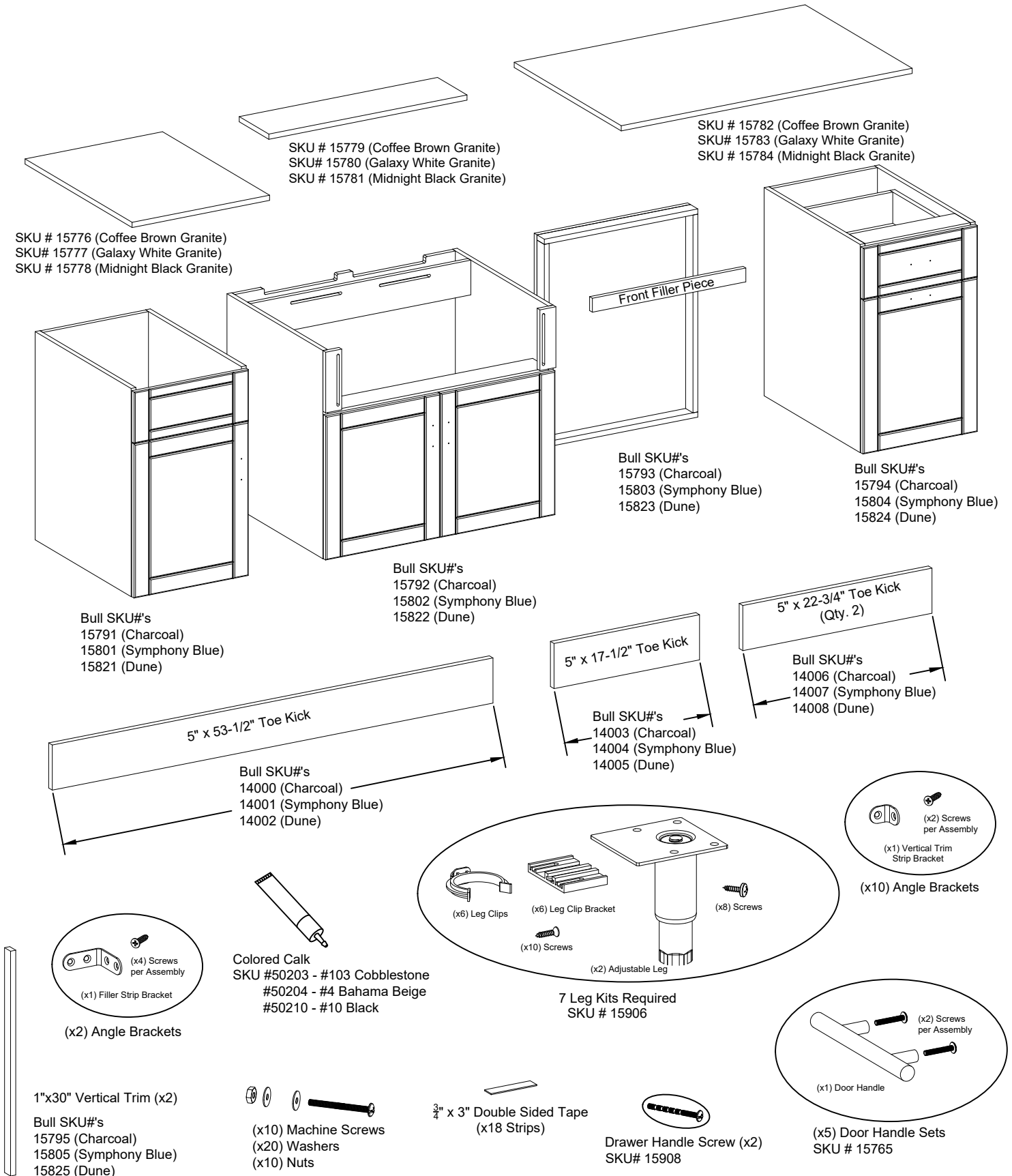
DuraBull 8ft. x 7ft. Left Return Savannah Kitchen

SKU # 15916 (Dune Base w/ Coffee Brown Granite)
 SKU# 15917 (Symphony Blue Base w/ Galaxy White Granite)
 SKU # 15918 (Charcoal Base w/ Midnight Black Granite)

DuraBull 8ft. x 7ft. Right Return Savannah Kitchen

SKU # 15919 (Dune Base w/ Coffee Brown Granite)
 SKU# 15920 (Symphony Blue Base w/ Galaxy White Granite)
 SKU # 15921 (Charcoal Base w/ Midnight Black Granite)

Identify your model using pages 2-3. Once identified, begin the cabinet layout by referring to the sku #'s.



Parts List

DuraBull 8ft. x 7ft. Left Return Savannah Kitchen

SKU # 15916 (Dune Base w/ Coffee Brown Granite)
 SKU# 15917 (Symphony Blue Base w/ Galaxy White Granite)
 SKU # 15918 (Charcoal Base w/ Midnight Black Granite)

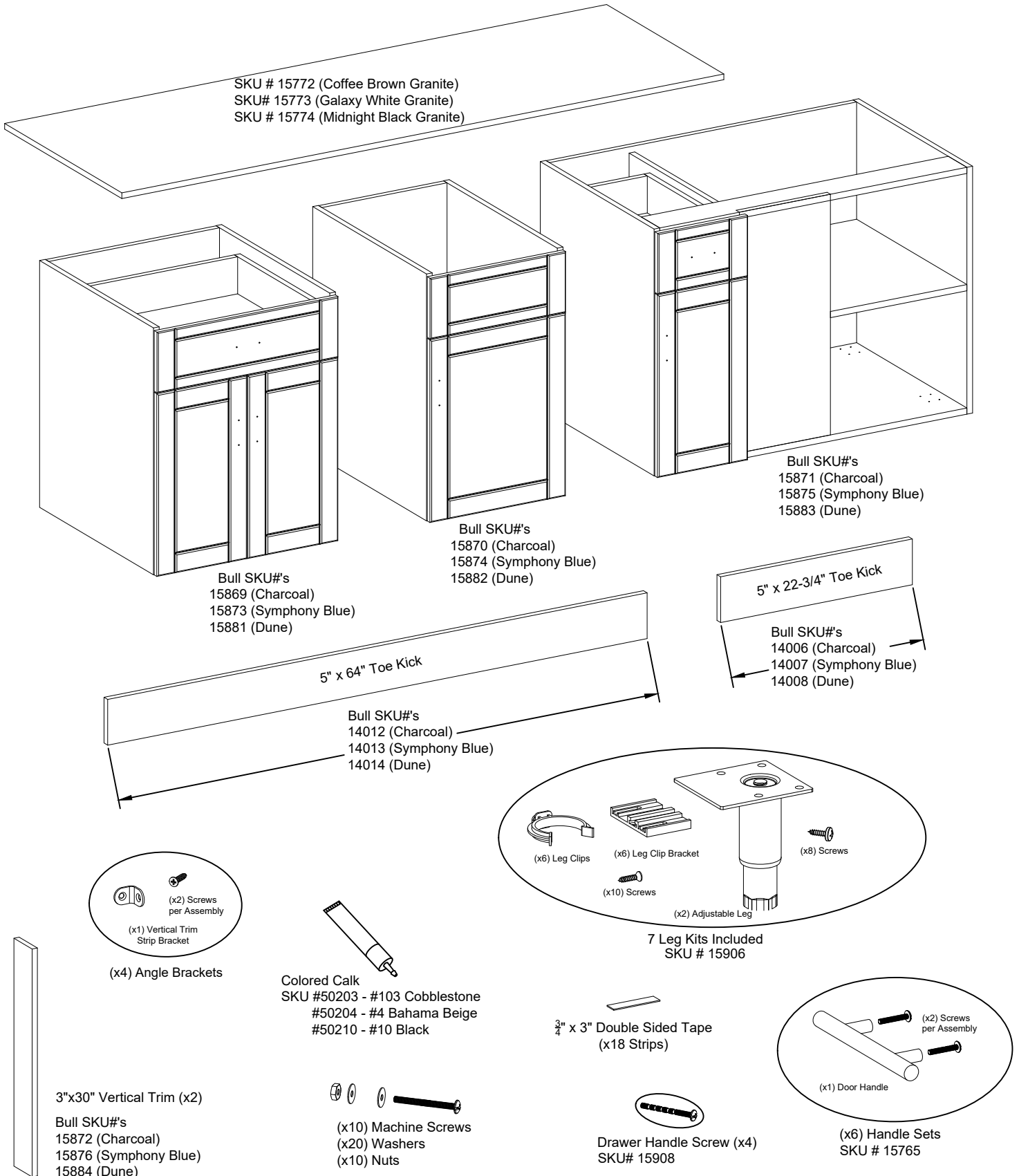
Include what is in the Myrtle Beach Kitchen Materials

DuraBull 10ft. x 7ft. Left Return Augusta Kitchen

SKU # 15922 (Dune Base w/ Coffee Brown Granite)
 SKU# 15923 (Symphony Blue Base w/ Galaxy White Granite)
 SKU # 15924 (Charcoal Base w/ Midnight Black Granite)

Include what is in the Charleston Kitchen Materials

Identify your model using pages 2-3. Once identified, begin the cabinet layout by referring to the sku #'s.



Parts List

DuraBull 8ft. x 7ft. Right Return Savannah Kitchen

SKU # 15919 (Dune Base w/ Coffee Brown Granite)
 SKU# 15920 (Symphony Blue Base w/ Galaxy White Granite)
 SKU # 15921 (Charcoal Base w/ Midnight Black Granite)

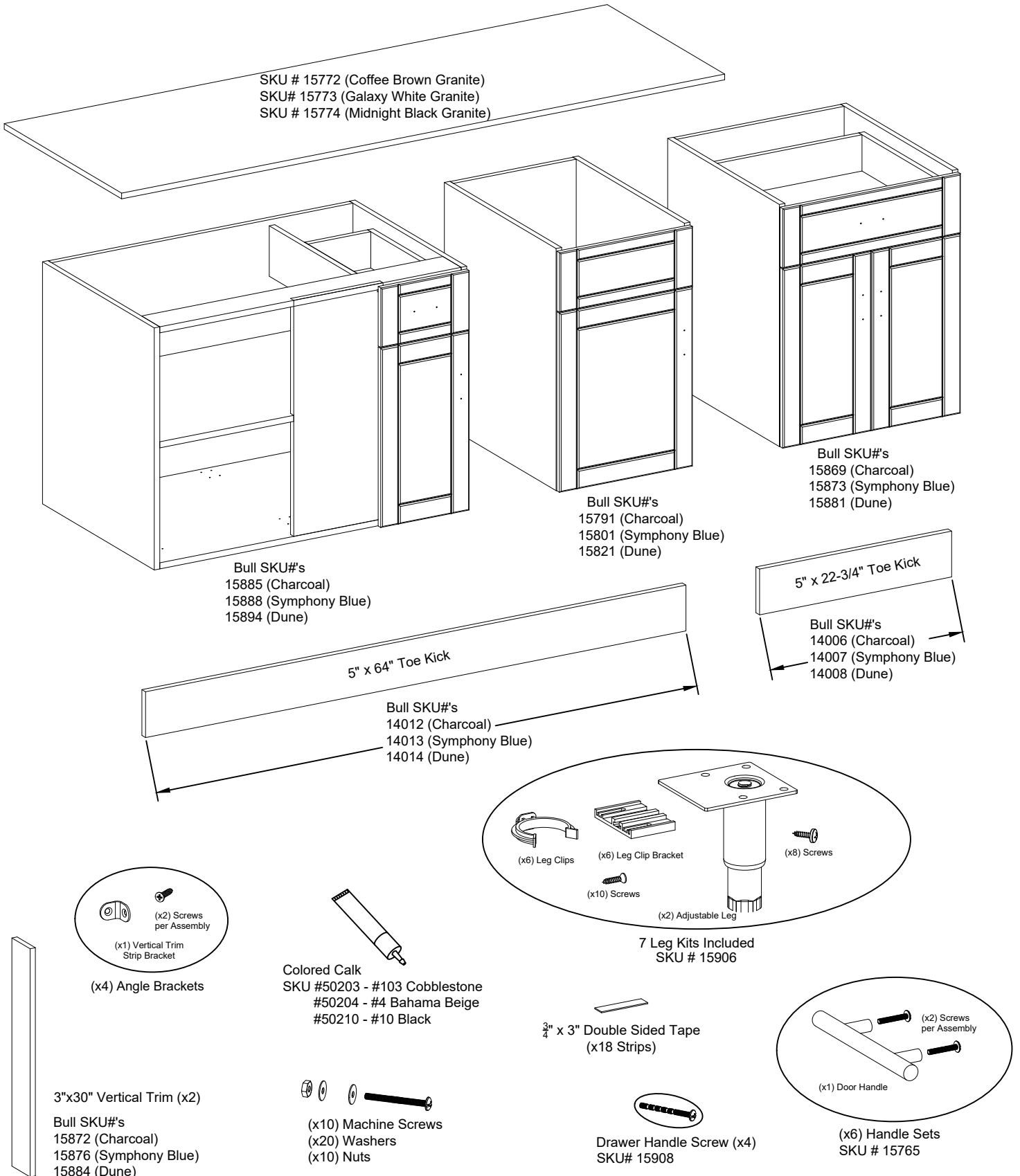
DuraBull 10ft. x 7ft. Right Return Augusta Kitchen

SKU # 15925 (Dune Base w/ Coffee Brown Granite)
 SKU# 15926 (Symphony Blue Base w/ Galaxy White Granite)
 SKU # 15927 (Charcoal Base w/ Midnight Black Granite)

Include what is in the Myrtle Beach Kitchen Materials

Include what is in the Charleston Kitchen Materials

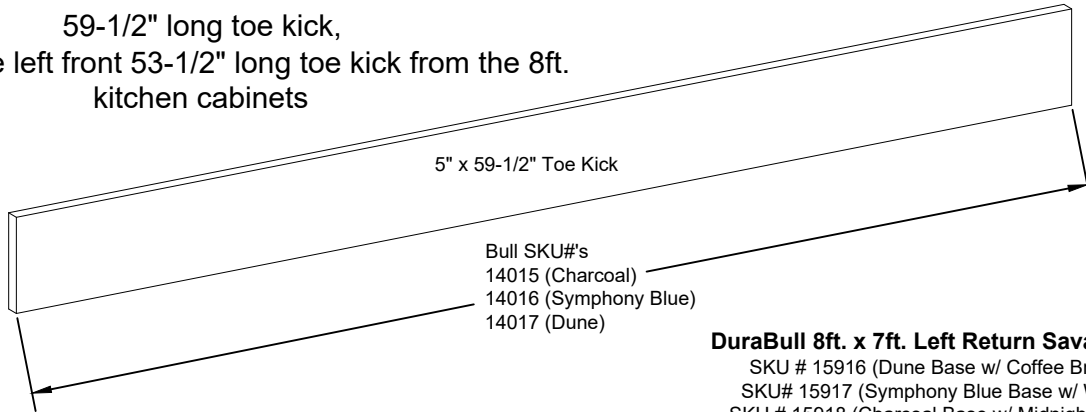
Identify your model using pages 2-3. Once identified, begin the cabinet layout by referring to the sku #'s.



Replacement Toe Kicks

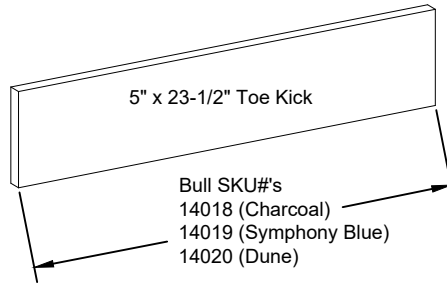
Note: The 8ft. x 7ft. Savannah and 10ft. x 7ft. Augusta DuraBULL kits come standard with toe kicks precut. When installing a left or right return, the length of the toe kick changes on the 8ft. Savannah and 10ft Augusta on the front return side.

59-1/2" long toe kick,
replaces the left front 53-1/2" long toe kick from the 8ft.
 kitchen cabinets



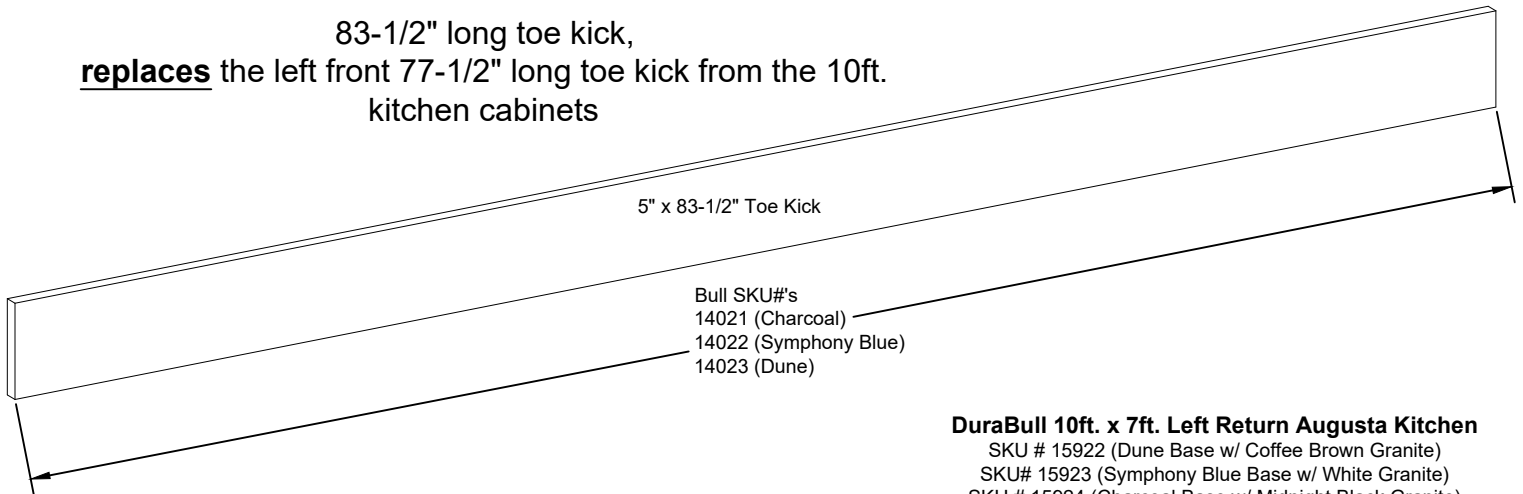
DuraBull 8ft. x 7ft. Left Return Savannah Kitchen
 SKU # 15916 (Dune Base w/ Coffee Brown Granite)
 SKU# 15917 (Symphony Blue Base w/ White Granite)
 SKU # 15918 (Charcoal Base w/ Midnight Black Granite)

23-1/2" long toe kick,
replaces the right front 17-1/2" long toe kick from the 8ft. kitchen cabinets



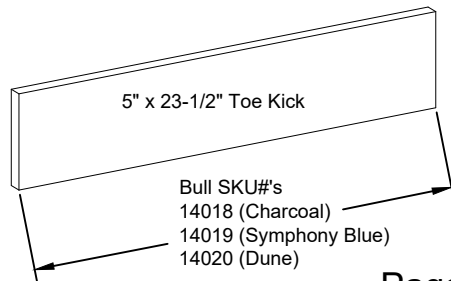
DuraBull 8ft. x 7ft. Right Return Savannah Kitchen
 SKU # 15919 (Dune Base w/ Coffee Brown Granite)
 SKU# 15920 (Symphony Blue Base w/ White Granite)
 SKU # 15921 (Charcoal Base w/ Midnight Black Granite)

83-1/2" long toe kick,
replaces the left front 77-1/2" long toe kick from the 10ft.
 kitchen cabinets



DuraBull 10ft. x 7ft. Left Return Augusta Kitchen
 SKU # 15922 (Dune Base w/ Coffee Brown Granite)
 SKU# 15923 (Symphony Blue Base w/ White Granite)
 SKU # 15924 (Charcoal Base w/ Midnight Black Granite)

23-1/2" long toe kick,
replaces the right front 17-1/2" long toe kick from the 10ft. kitchen cabinets

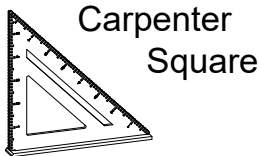
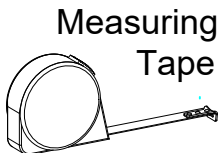
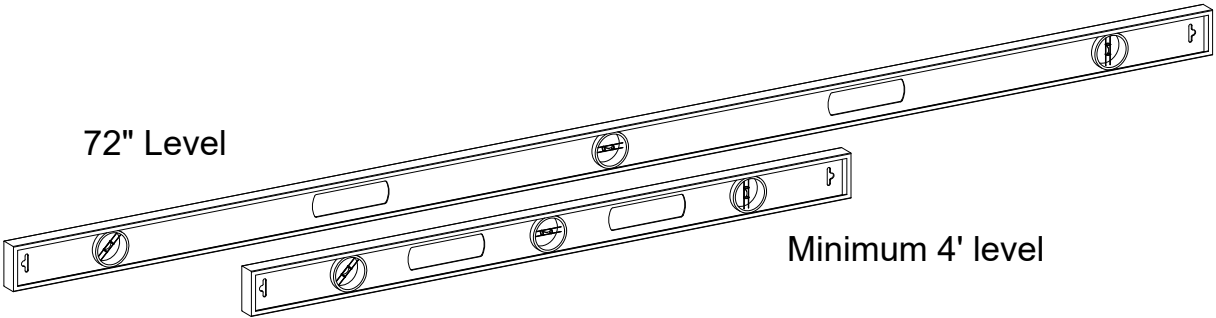


DuraBull 10ft. x 7ft. Right Return Augusta Kitchen
 SKU # 15925 (Dune Base w/ Coffee Brown Granite)
 SKU# 15926 (Symphony Blue Base w/ White Granite)
 SKU # 15927 (Charcoal Base w/ Midnight Black Granite)

TOOLS REQUIRED FOR INSTALLATION



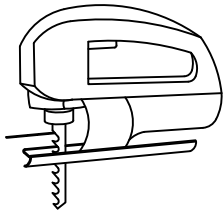
Note: Gloves are recommended.
HDPE can have sharp edges.
Use gloves with grip. HDPE can be slippery.



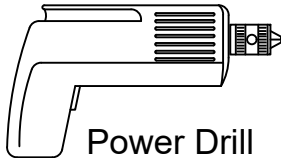
$\frac{5}{32}$ " Drill Bit
 $\frac{9}{32}$ " Drill Bit



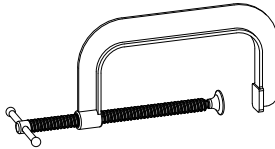
Hole Saw



Jig Saw
or
Circular Saw
or
Miter Saw



Power Drill

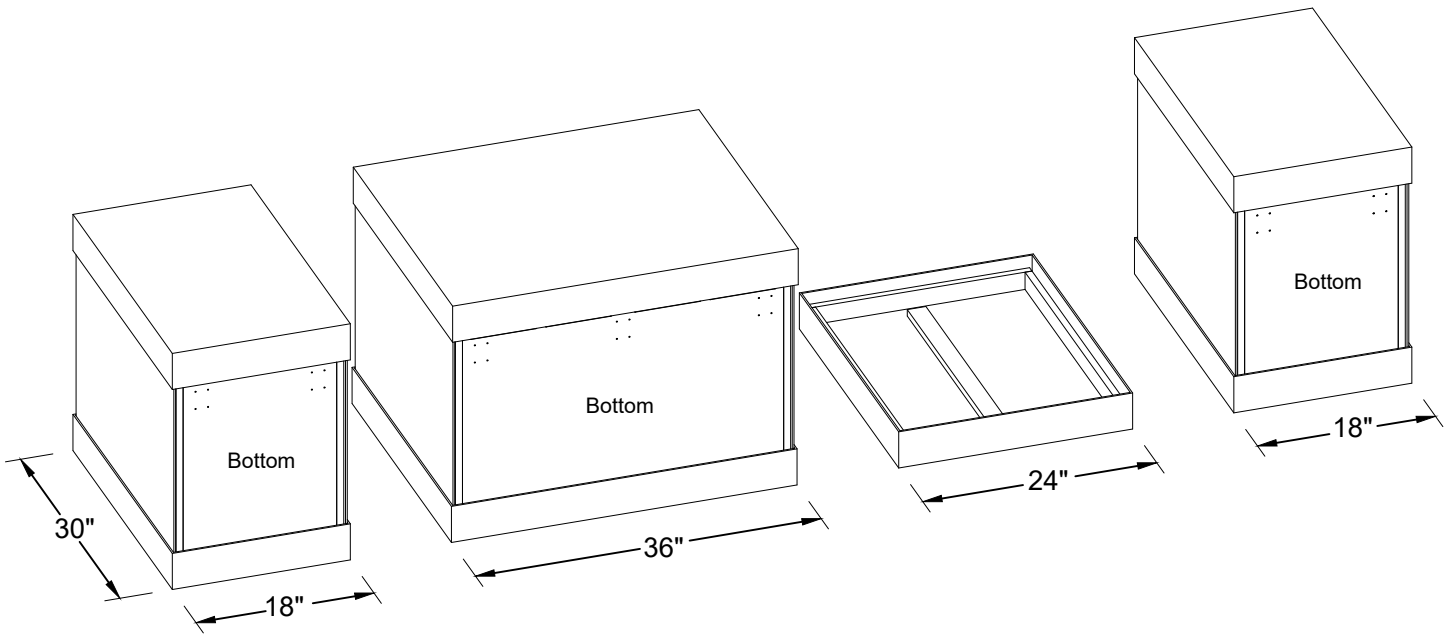


(x2) C-Clamps
or
Quick Clamps
or
Welding Vise Grip Clamps

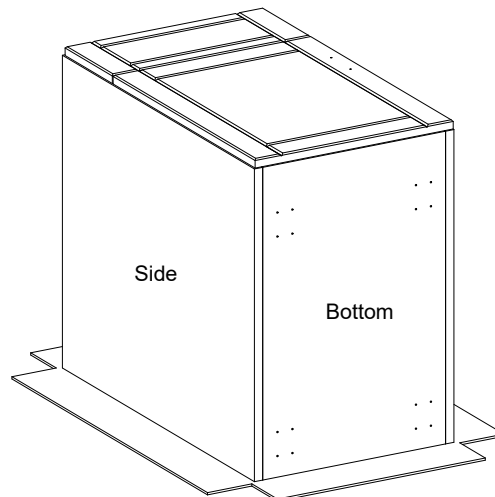


Drill driver bits
Philips

PREPPING CABINETS FOR ASSEMBLY



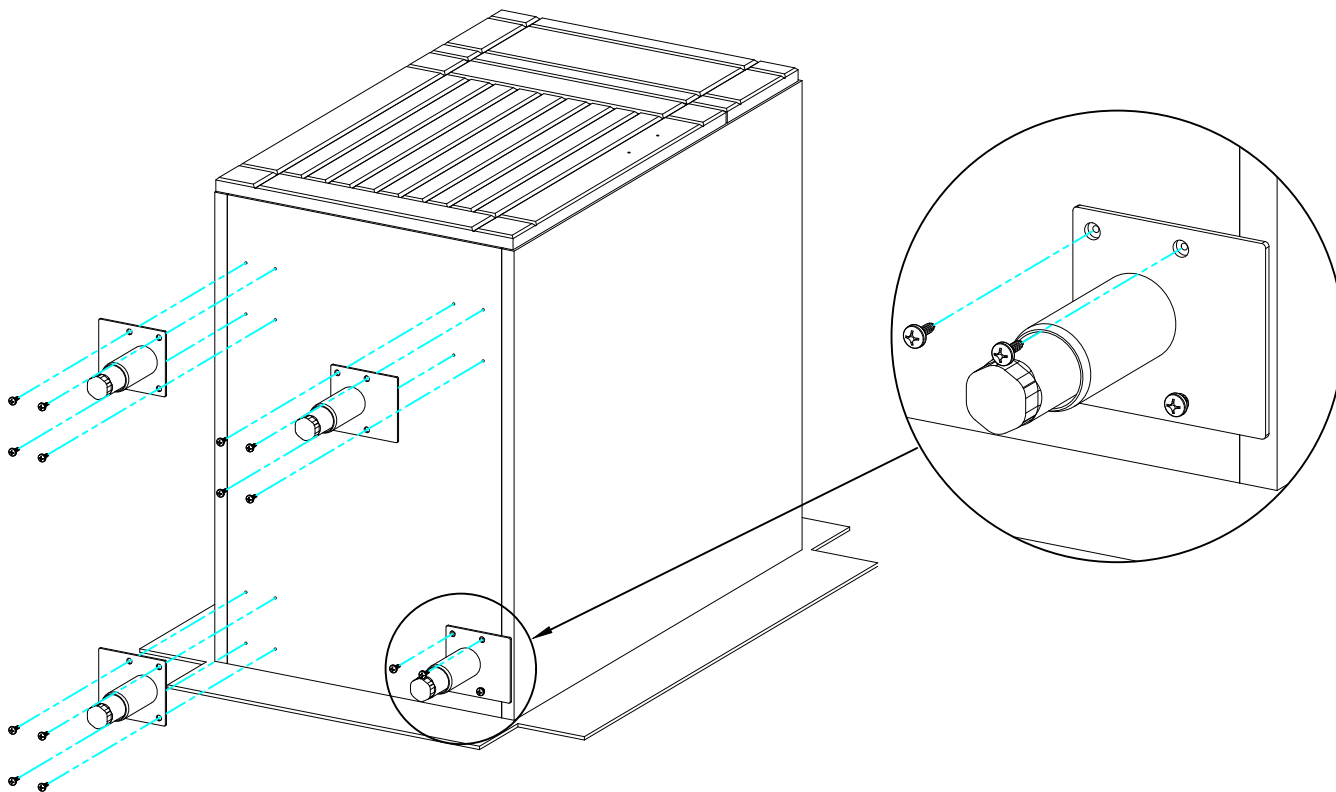
1. Place cabinets on their backs near the location where they will be installed (leaving the cardboard underneath the back of the cabinets to protect them from getting scratched)



2. Remove cardboard from the top and sides, leaving the cardboard under the back of the cabinet

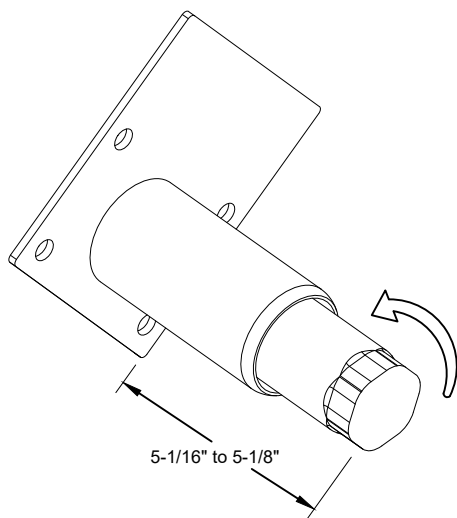
INSTALLING THE CABINET LEGS

3. Screw on the leg bases to the pre-drilled holes with extended flange going to the out side edge of the cabinet.



4. Set the leg length to 5-1/8" height if using tow kicks. (Keep in mind the toe kick is 5" tall from the factory. Cabinets are 30" tall and the granite is 3/4" thick). Adjustments might need to be made later depending on the surface.

Note: If not using tow kicks and the stainless steel legs will be seen, disregard step 4 and set your legs to your desired height.

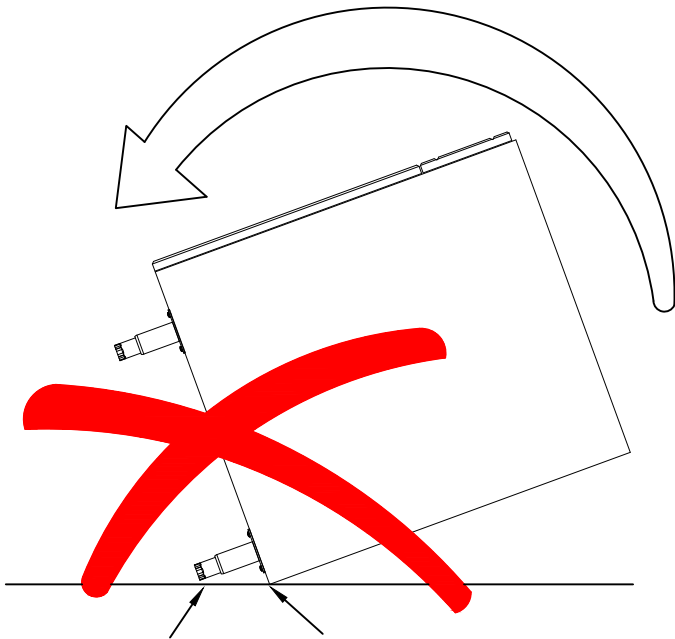


**Turn Counter clockwise to make the legs longer, and clockwise to make the legs shorter

5. Once all legs are installed on each cabinet, begin standing the cabinets up per the instructions on the next page.

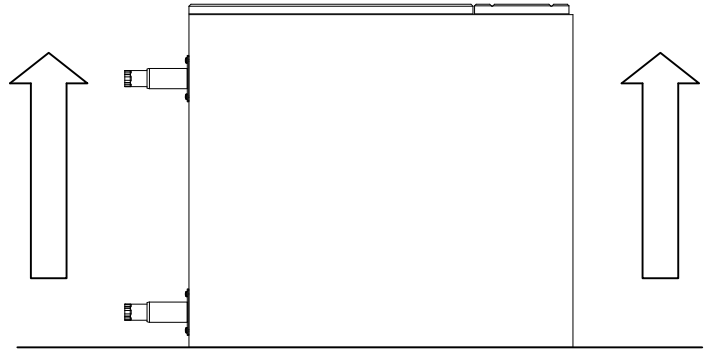
STANDING THE CABINETS UPRIGHT

6. Stand cabinets up onto the legs.

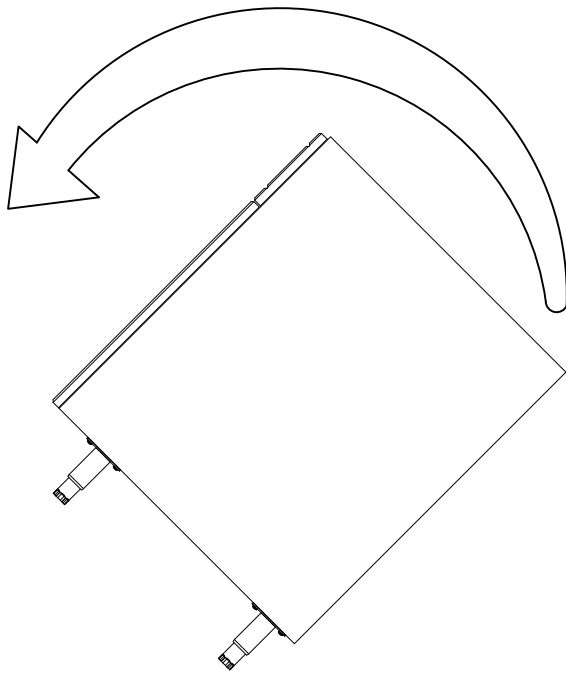


Do not stand the cabinets up by rotating on bottom edge of the cabinet to the legs. This could damage both the edge of the cabinet and the legs.

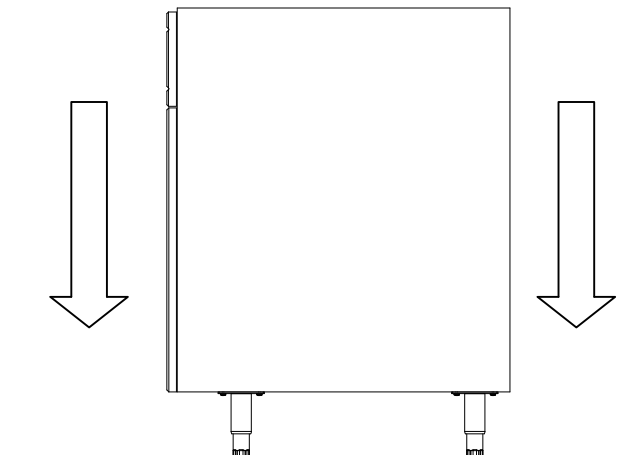
**TEAM
LIFT**



When standing up the cabinets, lift straight up...



Rotate the cabinet 90 degrees...



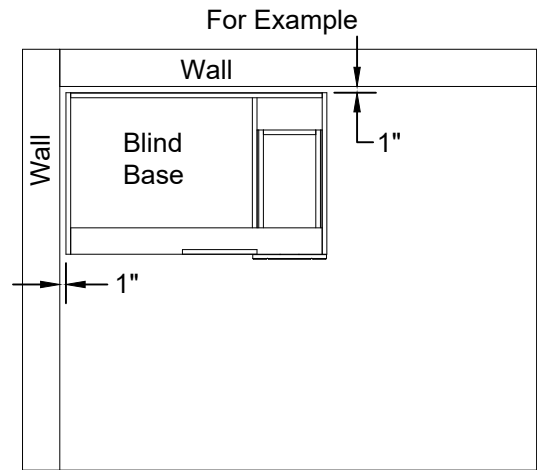
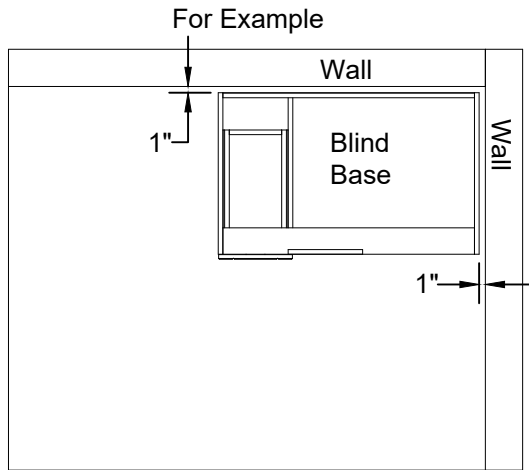
Set the cabinet down gently

If placing cabinets against a wall, leave 1" in the back for granite overhang. The 1" is required for the grill cabinet to have proper ventilation. DO NOT PLACE CABINETS AGAINST A WALL. See page 18 for the wall filler strip installation.

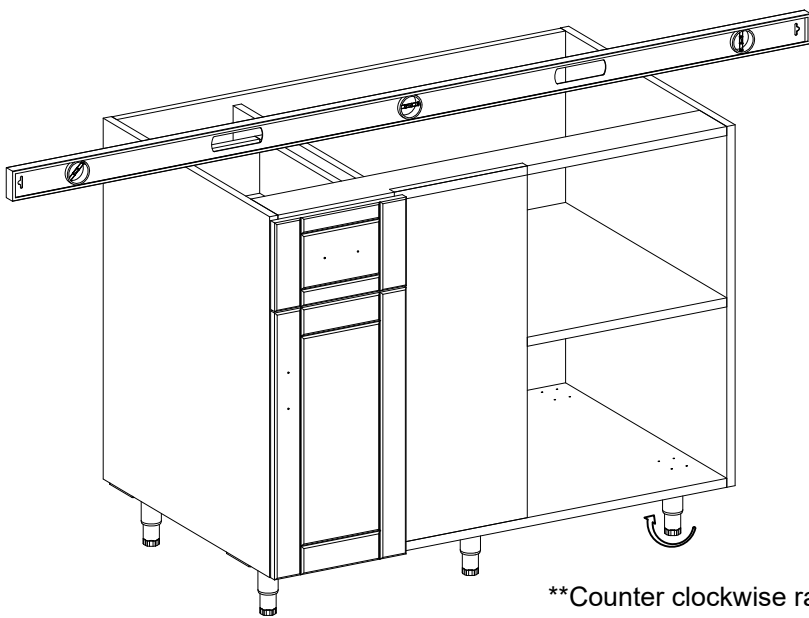
SETTING & LEVELING CABINETS

IMPORTANT NOTE: Cabinet must be 1" off any walls to ensure proper venting for the grill cabinet.

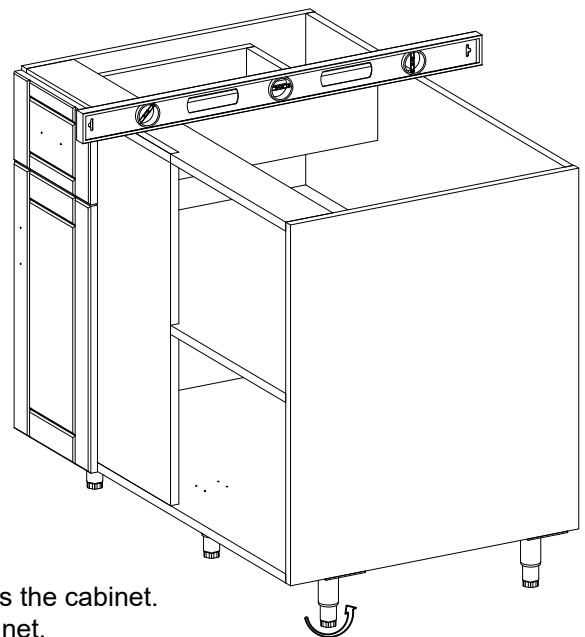
7. It is best to start with the corner cabinet, as it is one of the heaviest, so you will want to set cabinet in place maintaining 1" spacing from walls and work your way outward.



8. Level one cabinet at a time (Note: The toe kick installed later, is 5" high from factory. It can be ripped to desired height. Keep this in mind when setting the height on the legs)



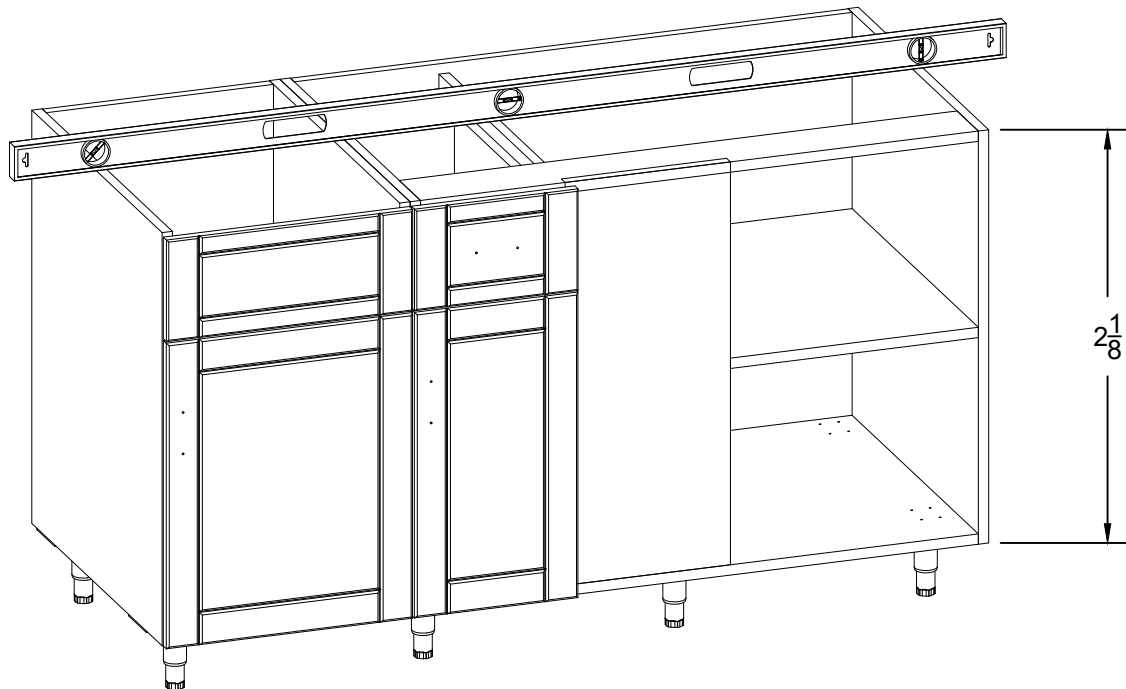
Level left to right



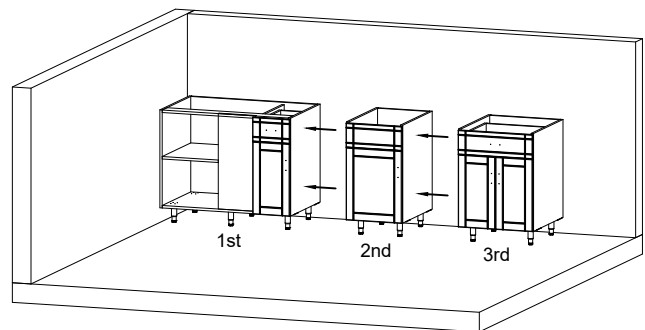
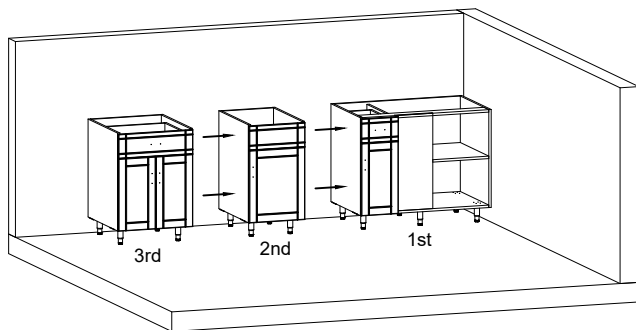
Level front to back

**Counter clockwise raises the cabinet.
Clockwise lowers the cabinet.

LEVELING CABINETS



9. Place next cabinet against first cabinet, making the height equal and leveling it together.

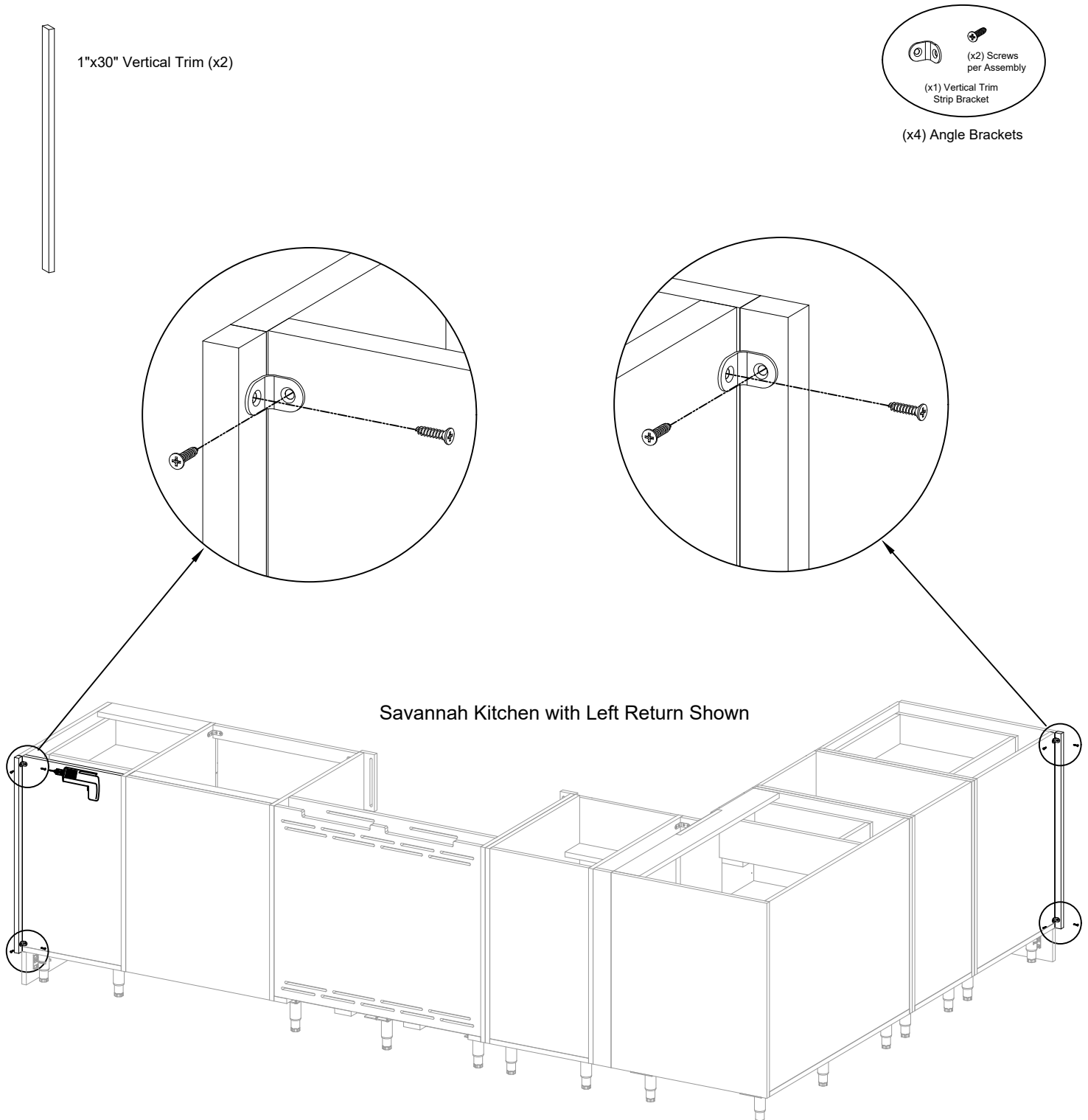


Note: Add one cabinet at a time. Remembering to lift up when moving them. Do not slide the cabinets, this may cause damage.

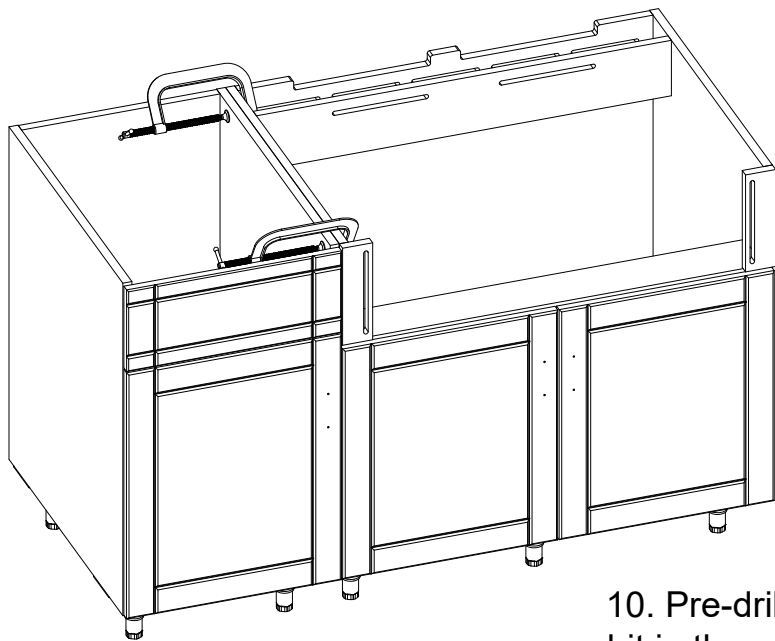
ADDING OPTIONAL CABINET WALL FILLER STRIPS

Note:

If the cabinets are going to be placed against a wall, the kit comes with (x2) 1" x 30" x 3/4" filler strips. These can be installed on the sides of your outside cabinets flush with the top as shown. Secure with the single hole angle brackets, screw them into place as shown.

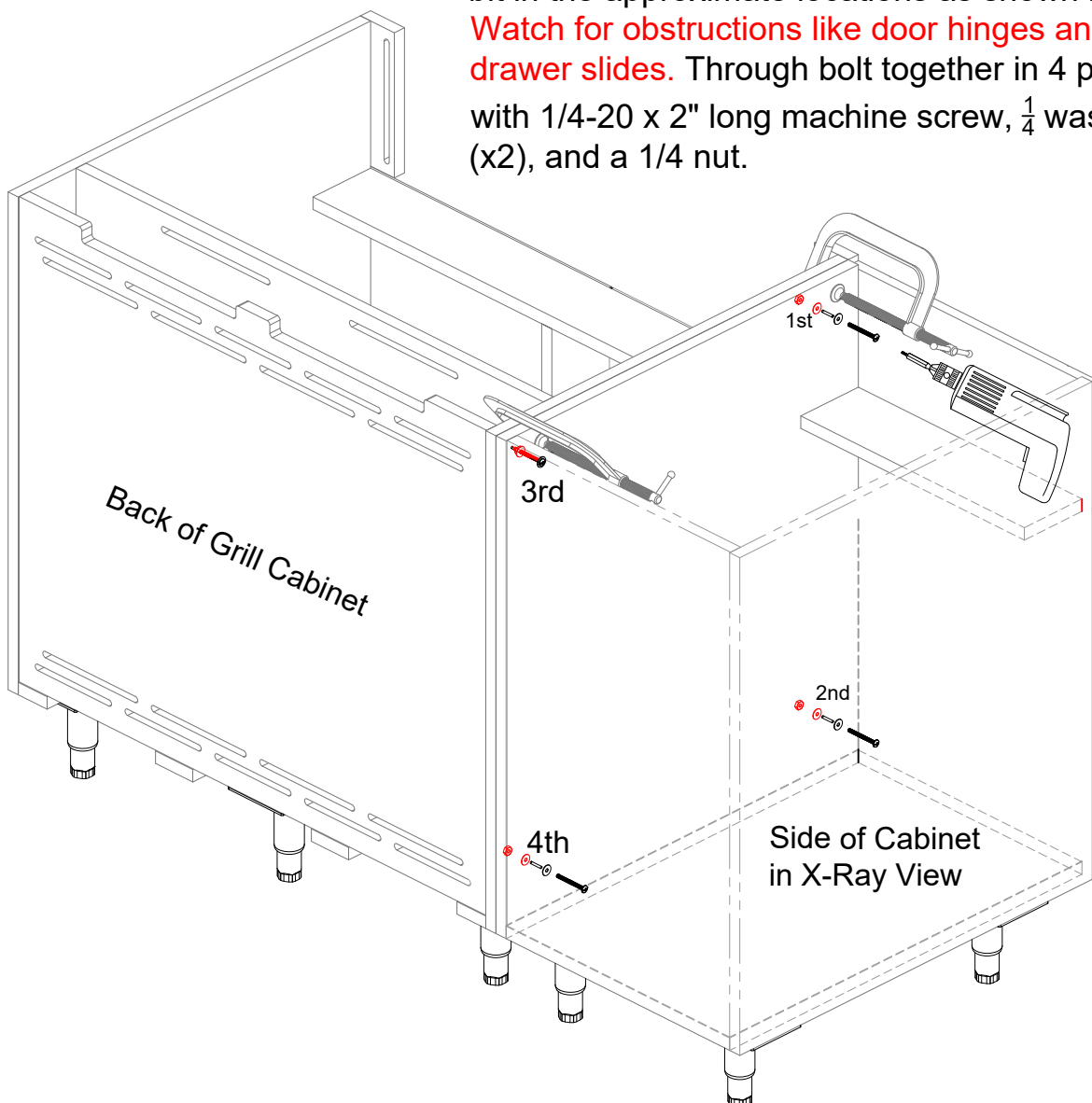


SECURING CABINETS TOGETHER



9. When the cabinets are level with one another, clamp the cabinets together using two clamps positioned per the image.

10. Pre-drill the cabinets with 9/32" diameter drill bit in the approximate locations as shown below. **Watch for obstructions like door hinges and drawer slides.** Through bolt together in 4 places with 1/4-20 x 2" long machine screw, 1/4 washer (x2), and a 1/4 nut.



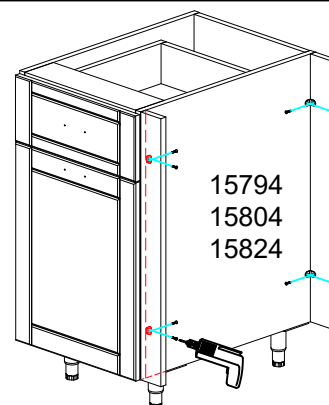
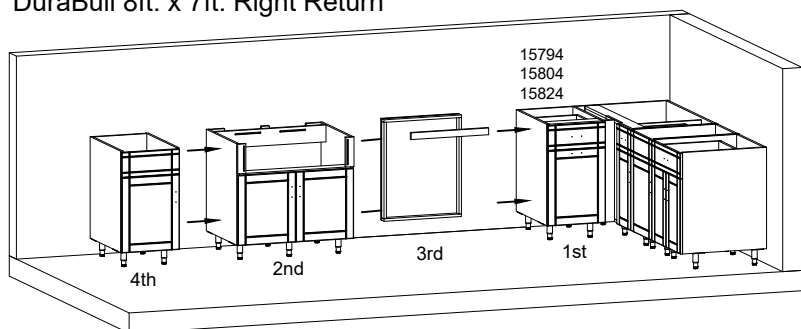
DETERMINING VERTICAL TRIM CABINETS

Important

12. Once you have your left or right return in place. It is now time to determine what cabinet you will need to install the 3" x 30" vertical trim. (Note: This vertical trim keeps the cabinets 3" apart so the doors or drawers can open properly.) Your end cabinet on the side of your return will get the vertical trim, as shown.

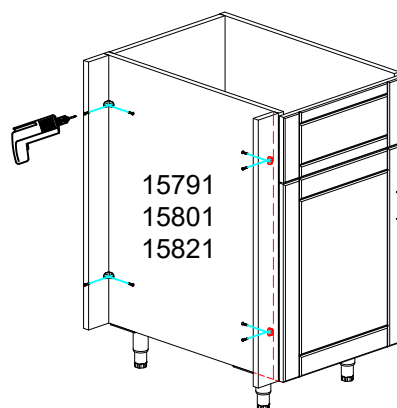
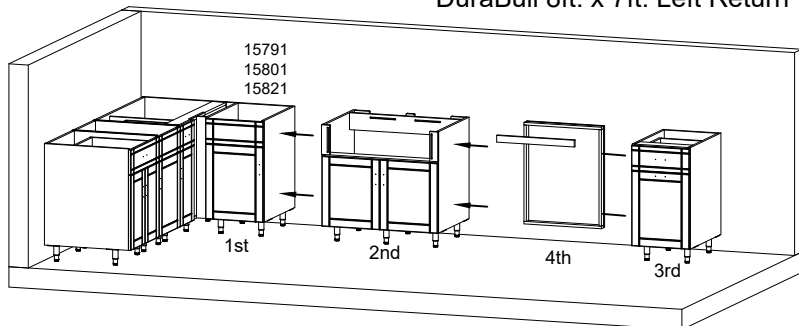
Savannah Kitchen

DuraBull 8ft. x 7ft. Right Return



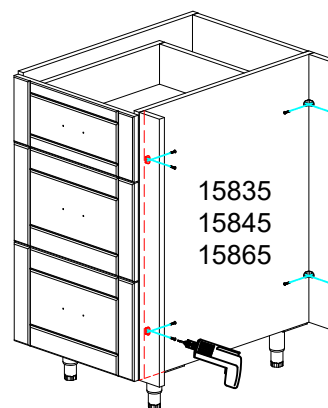
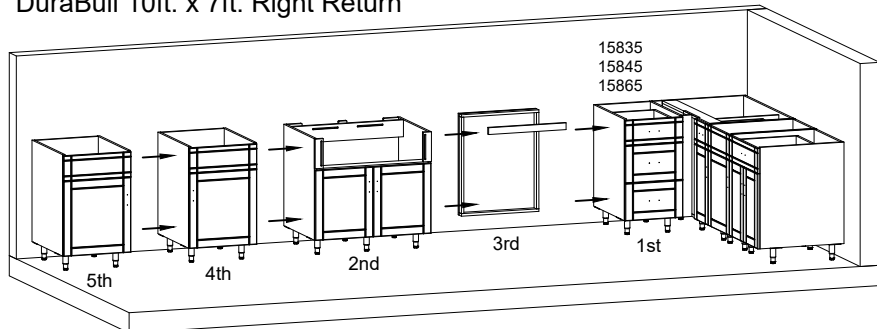
Savannah Kitchen

DuraBull 8ft. x 7ft. Left Return



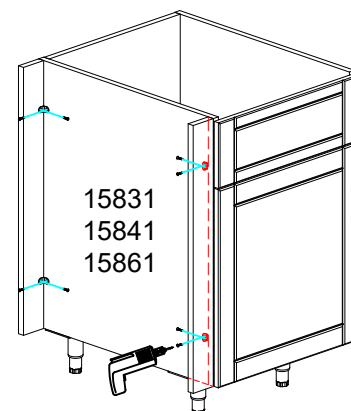
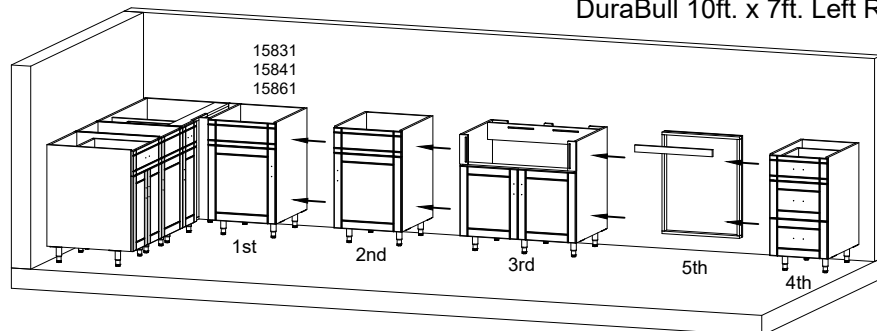
Augusta Kitchen

DuraBull 10ft. x 7ft. Right Return



Augusta Kitchen

DuraBull 10ft. x 7ft. Left Return

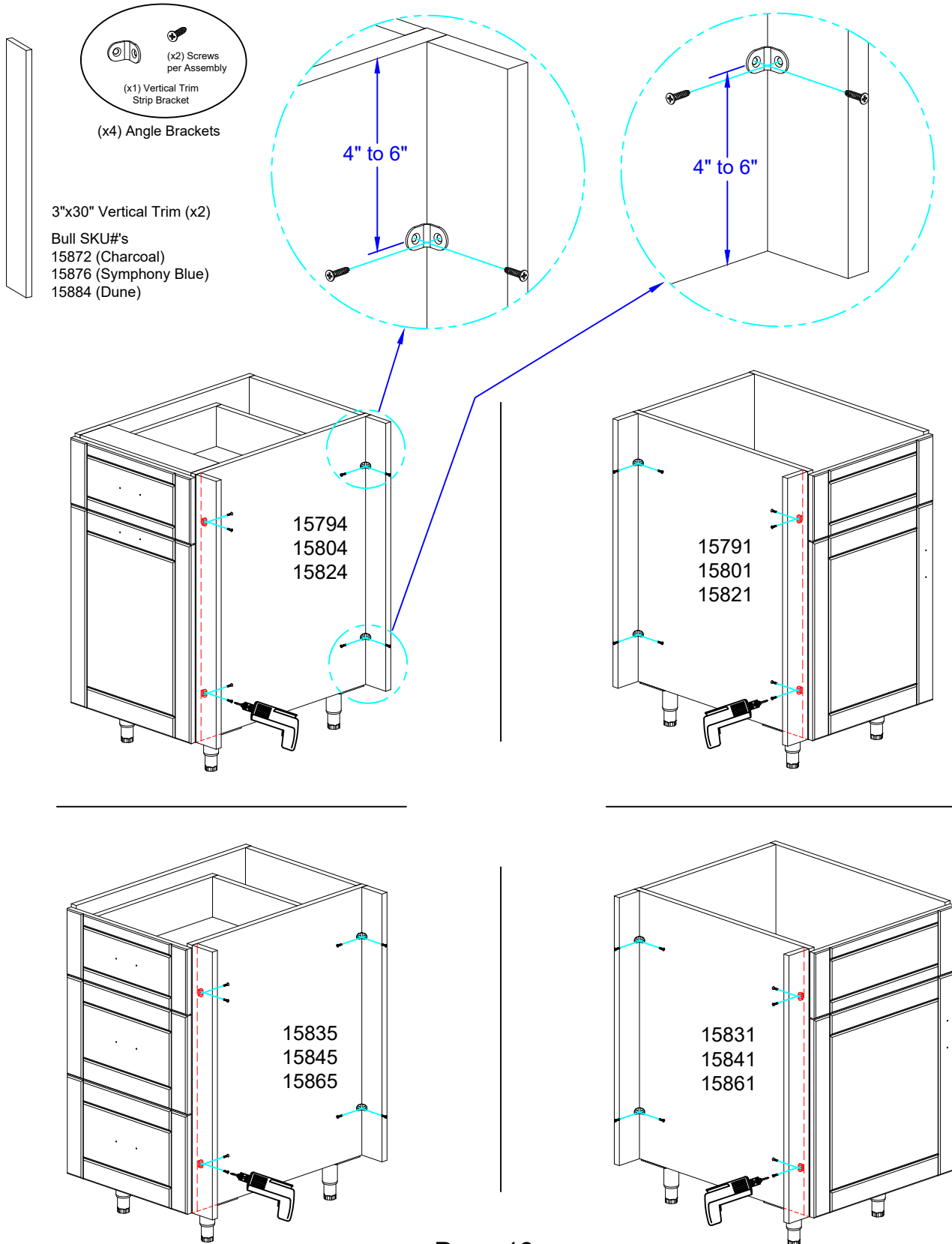


ADDING VERTICAL FILLER PIECES (CONTINUED)

13. Install the 30" x 3" x 3/4" vertical spacer using the single hole "L" brackets provided, making sure your vertical spacer is flush with the back of the cabinet.

When installing the front vertical spacer. Be sure the vertical spacer is flush with cabinet, not the door and or drawers, as shown.

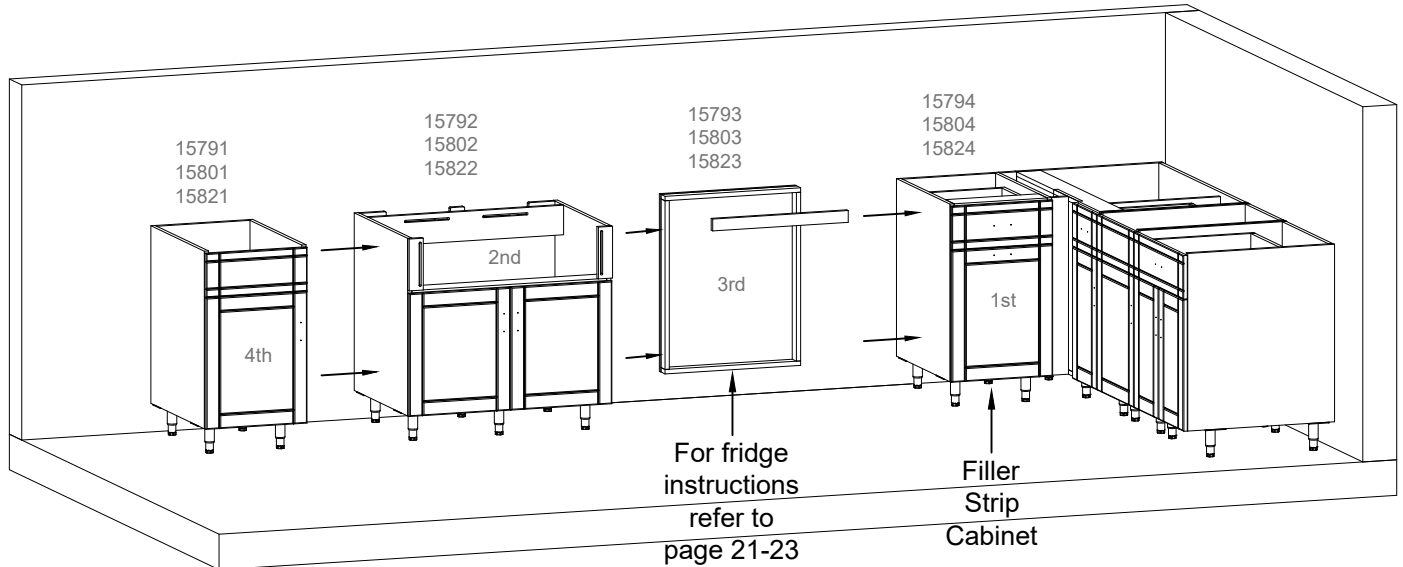
Install 2 angle brackets per side, as shown.



SECURING CABINETS TOGETHER

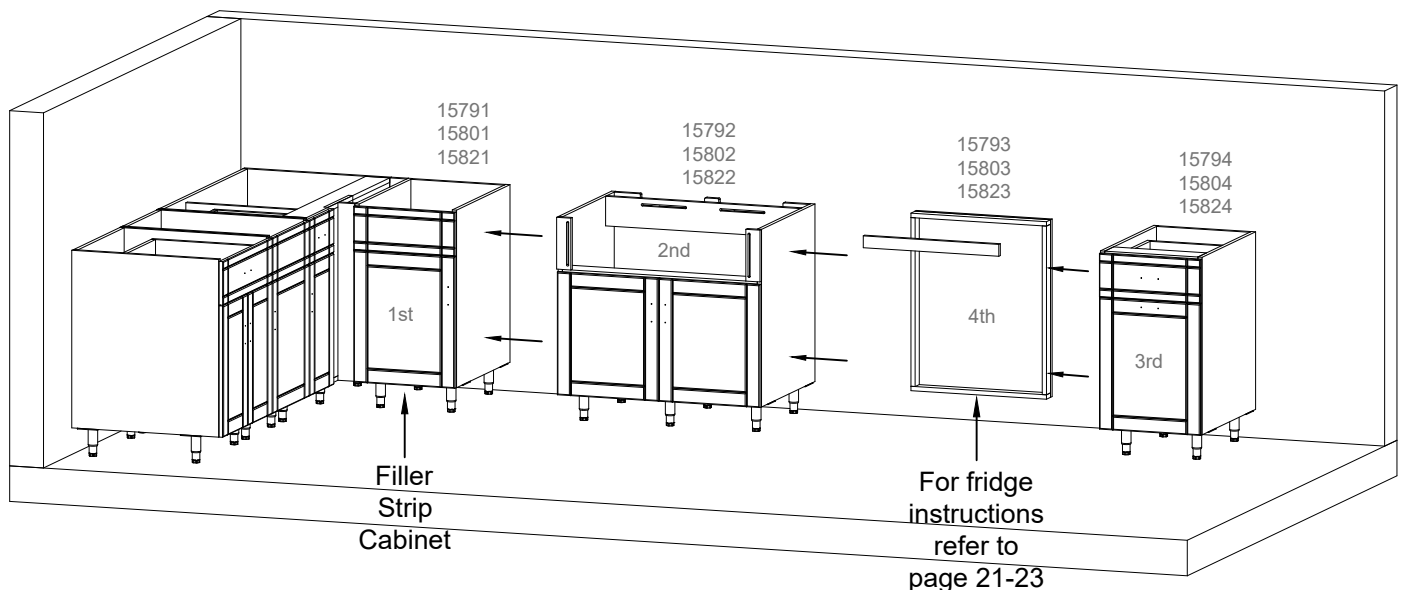
Find your DuraBull model below or on the next page for installation order and then join against the cabinet with the filler pieces to the corner return cabinet and proceed outward

14. The Savannah Kitchen with the Right Return will require setting the grill cabinet 24 inches from the cabinet you added the vertical filler strips, to then add the refrigerator filler pieces. (See page 21 - 23 for securing cabinet together.)



Connect cabinets using the same technique as return cabinets, then work from right to left. (See page 21-23 for refrigerator instructions)

14. The Savannah Kitchen with the Left Return will require setting the grill cabinet we added the vertical filler strips too, add the next cabinet 24 inches from grill cabinet. Then adding the refrigerator filler pieces. (Shown in later pages.)



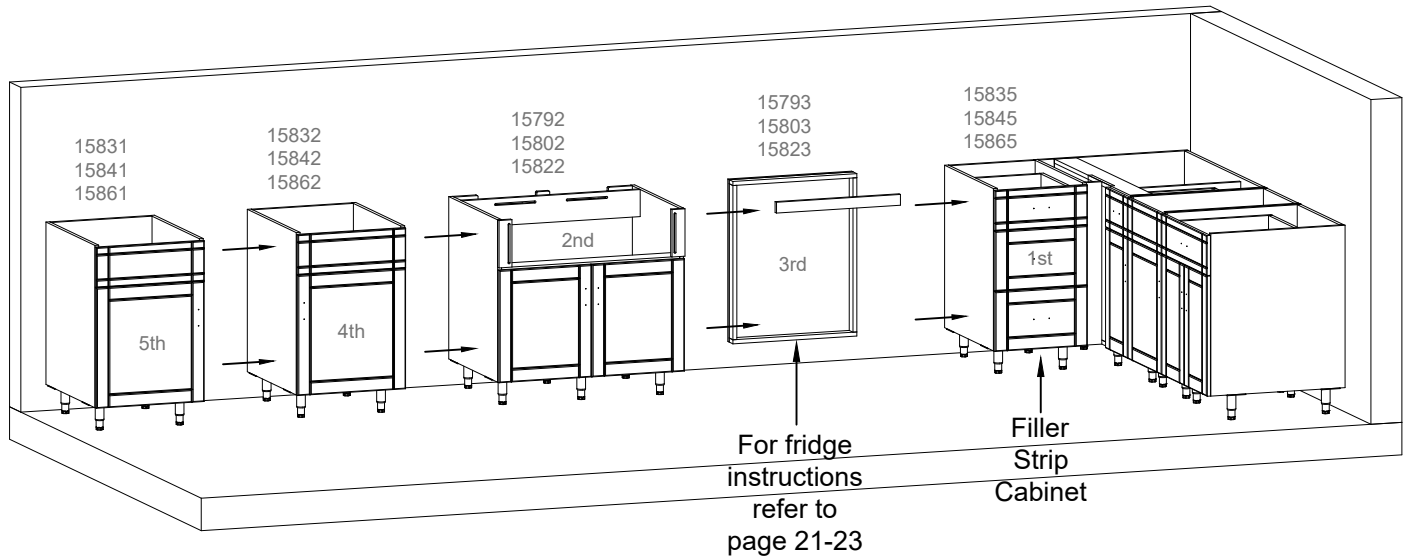
Connect cabinets using the same technique as return cabinets, then work from left to right. (See page 21-23 for refrigerator instructions)

Left and Right Return Augusta Kitchens next page.

SECURING CABINETS TOGETHER (CONTINUED)

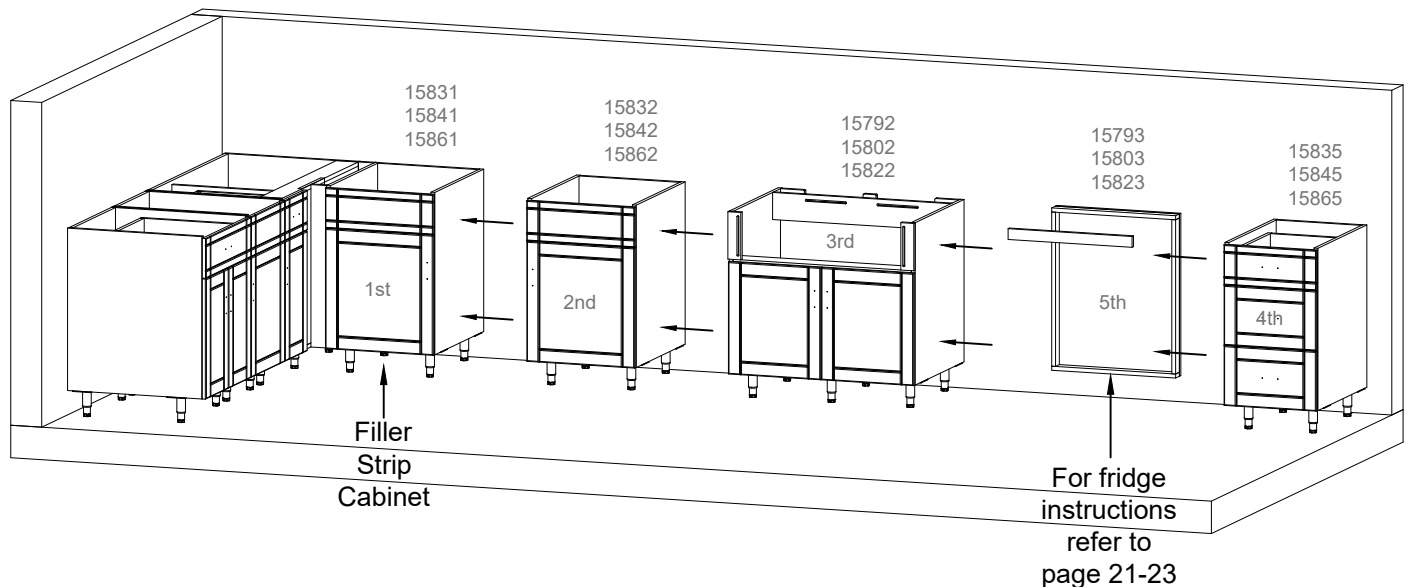
Find your DuraBull model below or on the next page for installation order and then join against the cabinet with the filler pieces to the corner return cabinet and proceed outward.

14. The Augusta Kitchen with the Right Return will require setting the grill cabinet 24 inches from the cabinet you added the vertical filler strips, to then add the refrigerator filler pieces. (See page 21-23 for securing cabinet together.)



Connect cabinets using the same technique as return cabinets, then work from right to left. (See page 21-23 for refrigerator instructions)

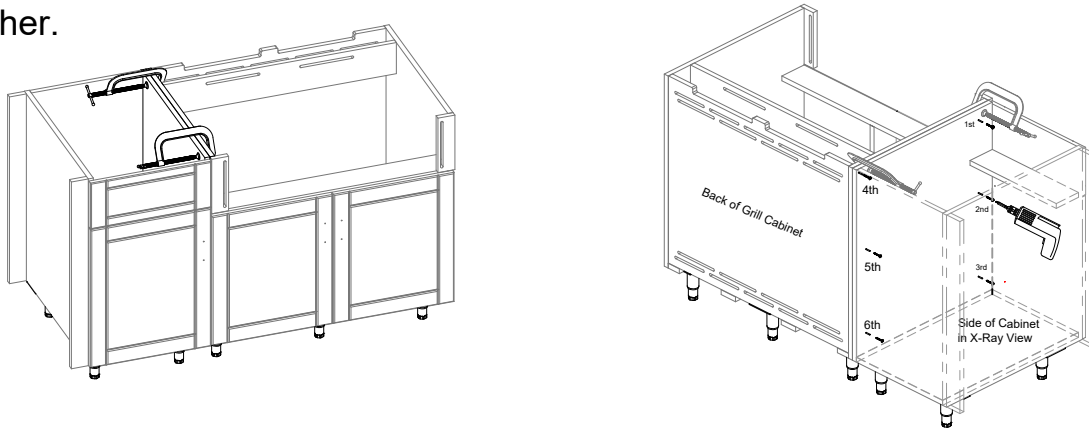
14. The Augusta Kitchen with the Left Return will require setting the cabinet we added the vertical filler strips against the corner cabinet too, add the next 24 inch cabinet, then the grill cabinet, spacing the next cabinet 24 inches from grill cabinet. Now add the refrigerator filler pieces. (Shown in later pages.)



Connect cabinets using the same technique as return cabinets, then work from left to right. (See page 21-23 for refrigerator instructions)

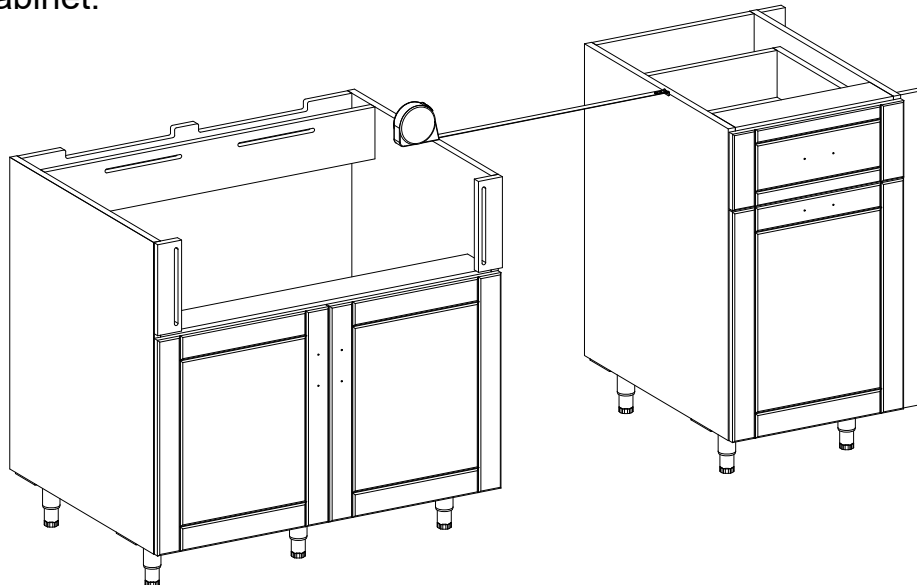
SECURING CABINETS TOGETHER

15. Use the same technique as used on the return cabinets to level and screw together.

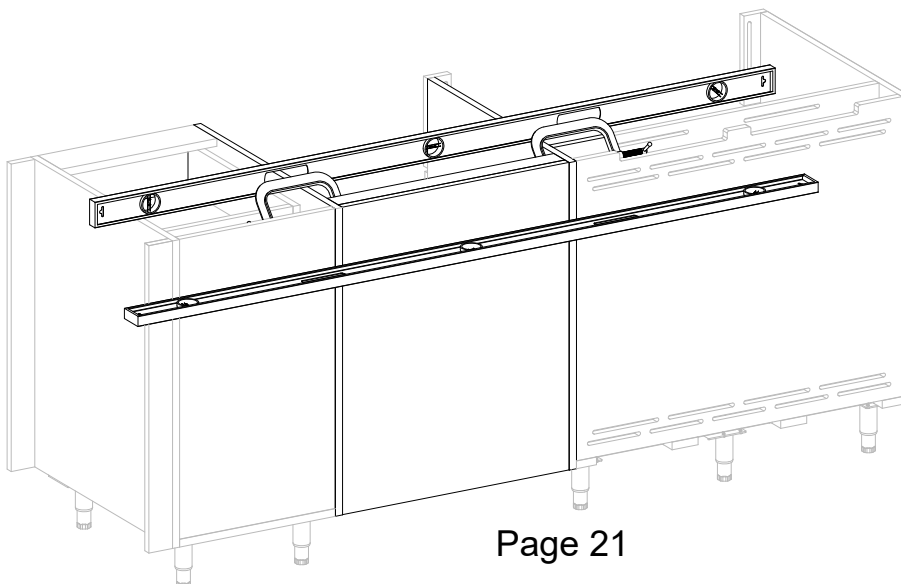


ADDING 24" SPACING FOR REFRIGERATOR

16. Set the trash can cabinet (or the triple drawer cabinet, depending on your model) 24" from the grill cabinet.

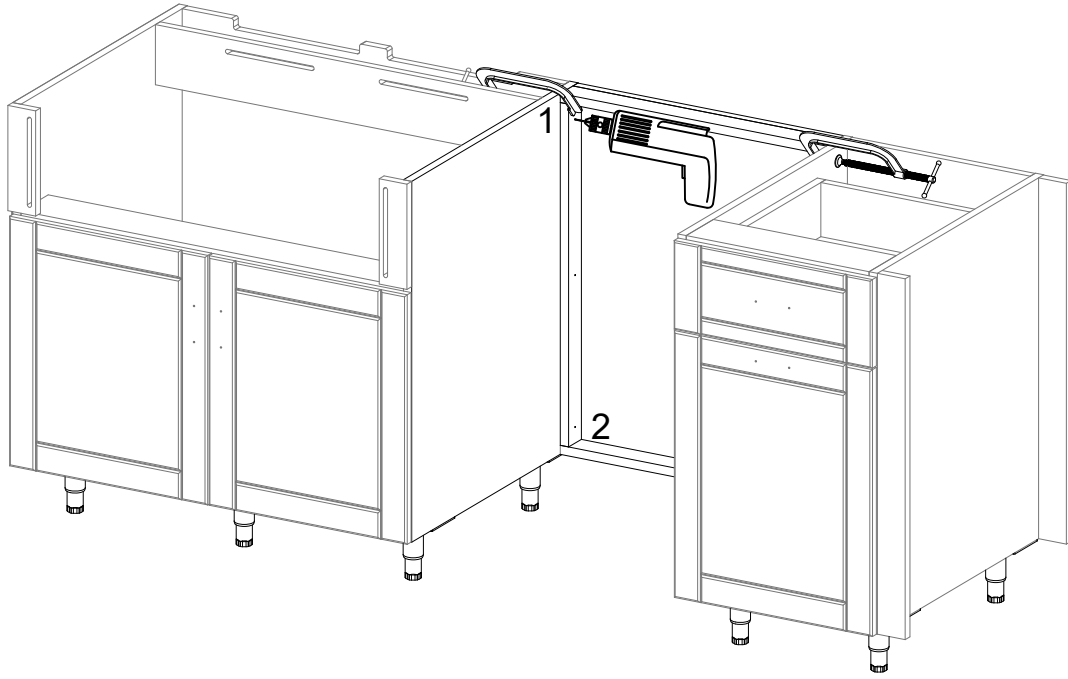


17. Add the refrigeration back panel and secure with clamps. Make sure the cabinets are level and the back panel is flush to the top and back of the cabinets as shown below.

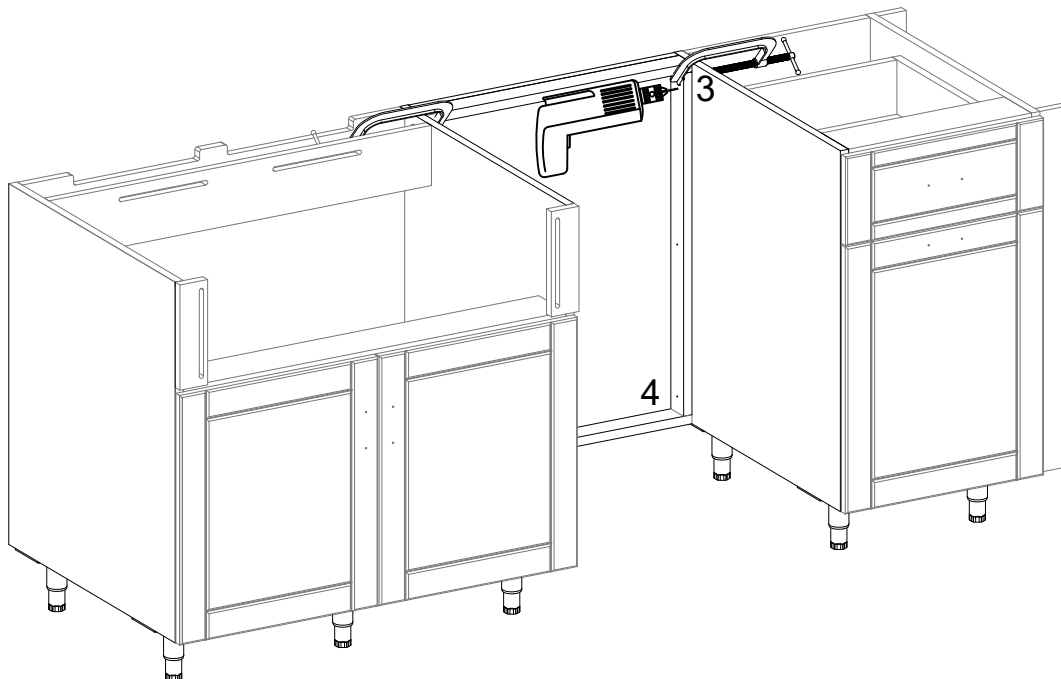


ADDING REFRIGERATOR PANEL

18. Once level and flush to the top and back of the cabinets, drill larger holes ($\text{\O} \frac{9}{32}$) through the holes on the refrigerator panel to the cabinets in 4 places.



19. Using the 1/4-20 x 2" machine screws, with (x2) $\frac{1}{4}$ " washers and a 1/4-20 nut, screw the panel to the grill cabinet from the top to bottom.



Note: Choose Your Refrigerator - Premium or Standard

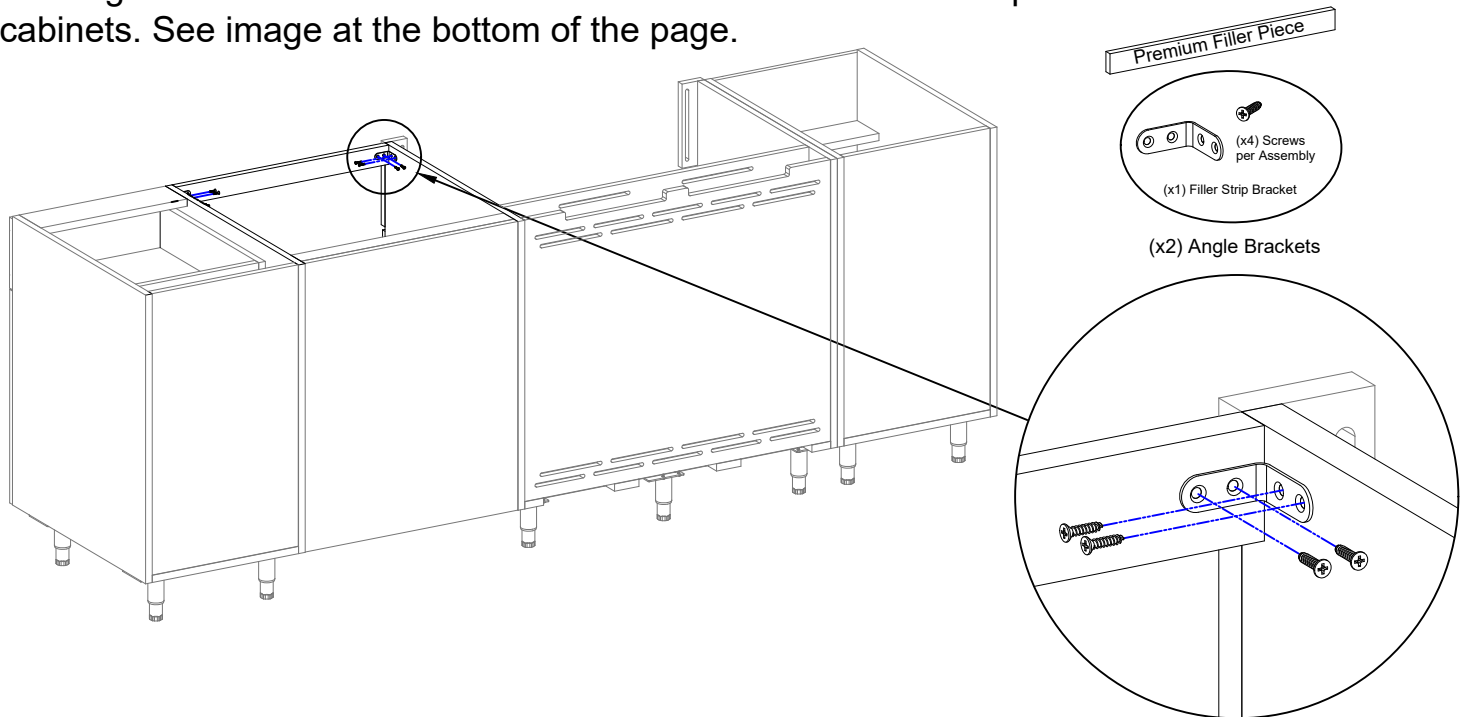
ADDING FRONT FILLER PIECE for Premium Refrigerator

Note: Determine what front filler piece is required for the type of refrigerator chosen.

Use the 2" x 24" top filler piece with the any premium refrigerator.

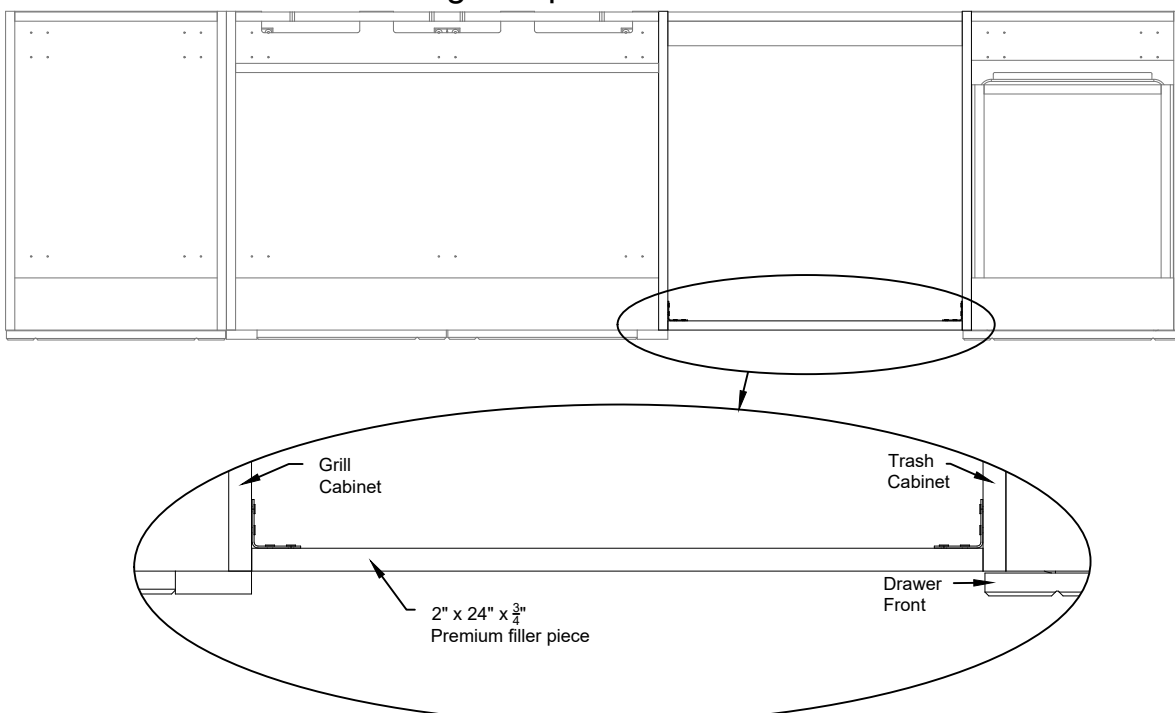
Use the Standard filler piece with the contemporary standard refrigerator.

15a. Install the 24" x 2" x 3/4" premium filler to the top, between the grill cabinet and the trash can cabinet (or triple drawer), making sure it is square and flush with top of the cabinets. Use two angle brackets with the double holes on the backside of the panel to secure the filler to the cabinets. See image at the bottom of the page.



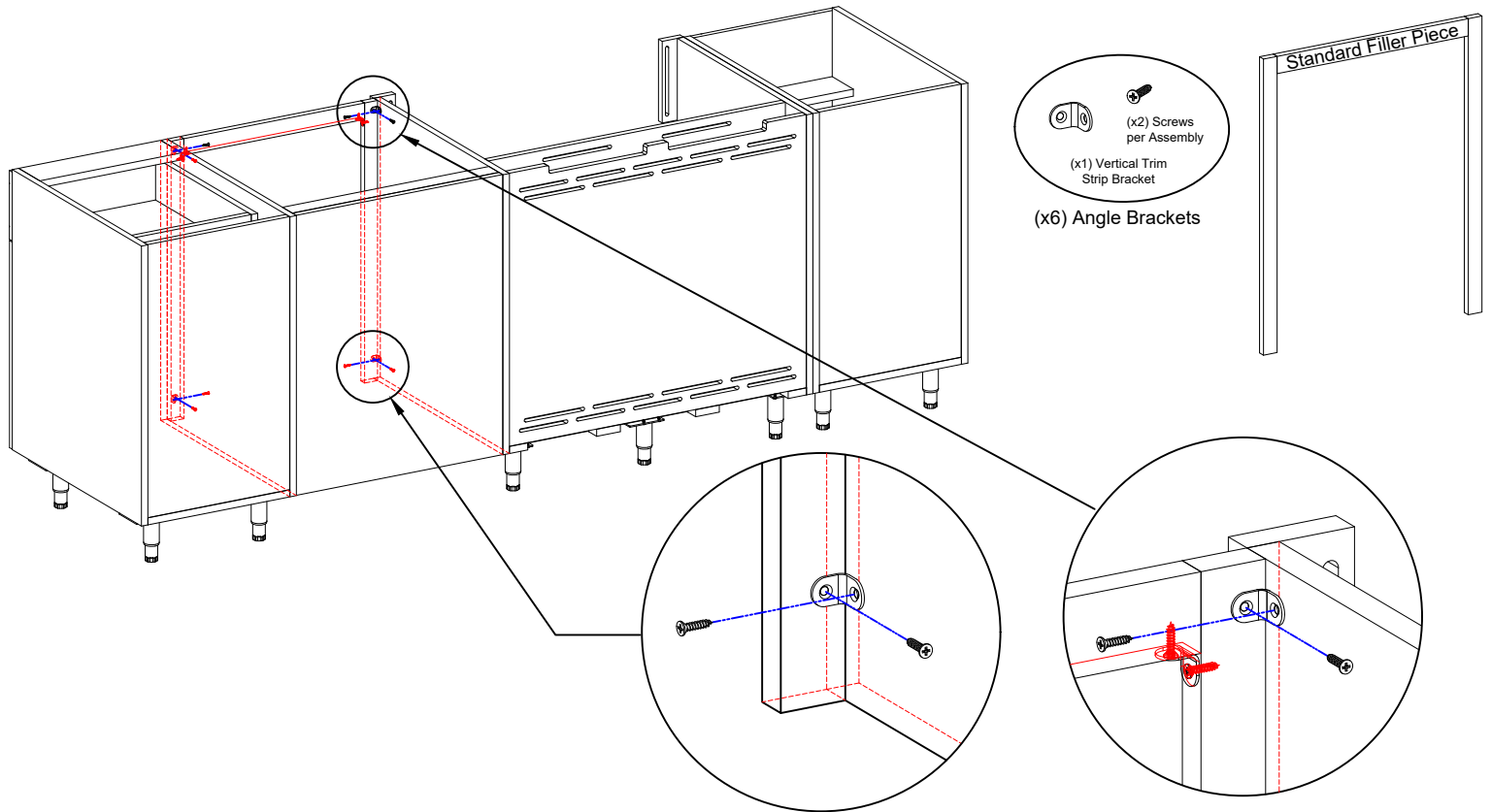
Note: The filler strip should be set back from the drawer, per image below.

Straight Top Down View



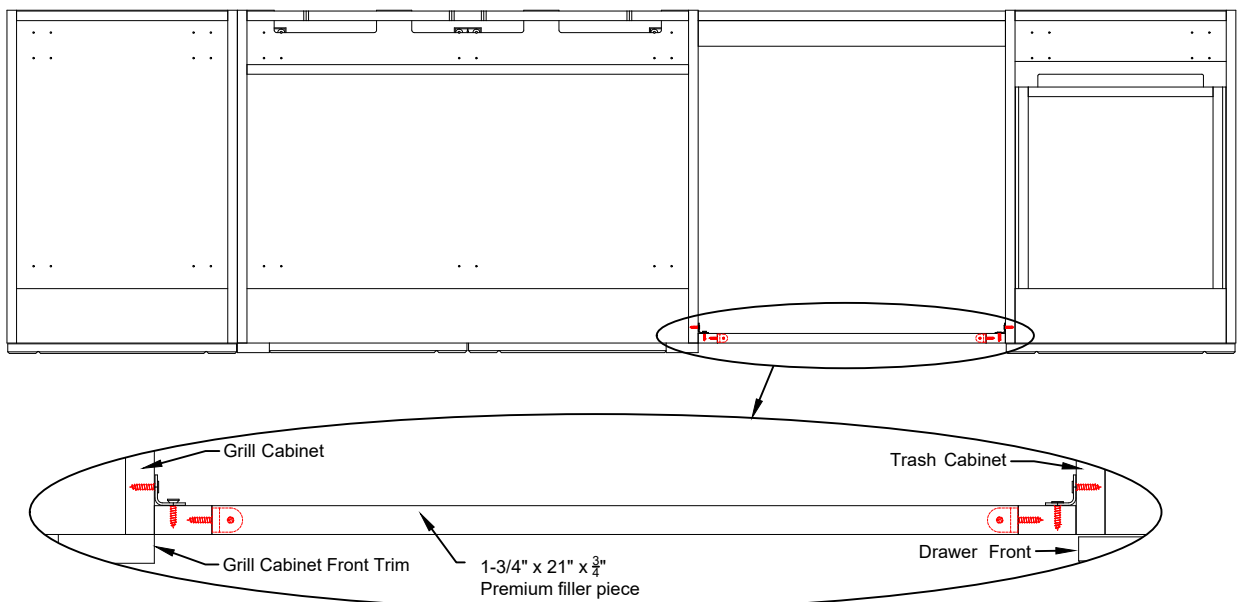
ADDING FRONT FILLER PIECE for Standard Contemporary Refrigerator

20b. Install the standard filler piece to the front, between the grill cabinet and the trash can cabinet (or triple drawer), making sure it is square and flush with top of the cabinets. Use four angle brackets with the single holes on the backside top of the panel and bottom to secure the filler to the cabinets. Then add the 1-3/4" x 21" x 3/4" thick filler piece flush with the top and between the two vertical filler strips just added. See images below.



Note: The filler strip should beset back from the drawer, per image below.

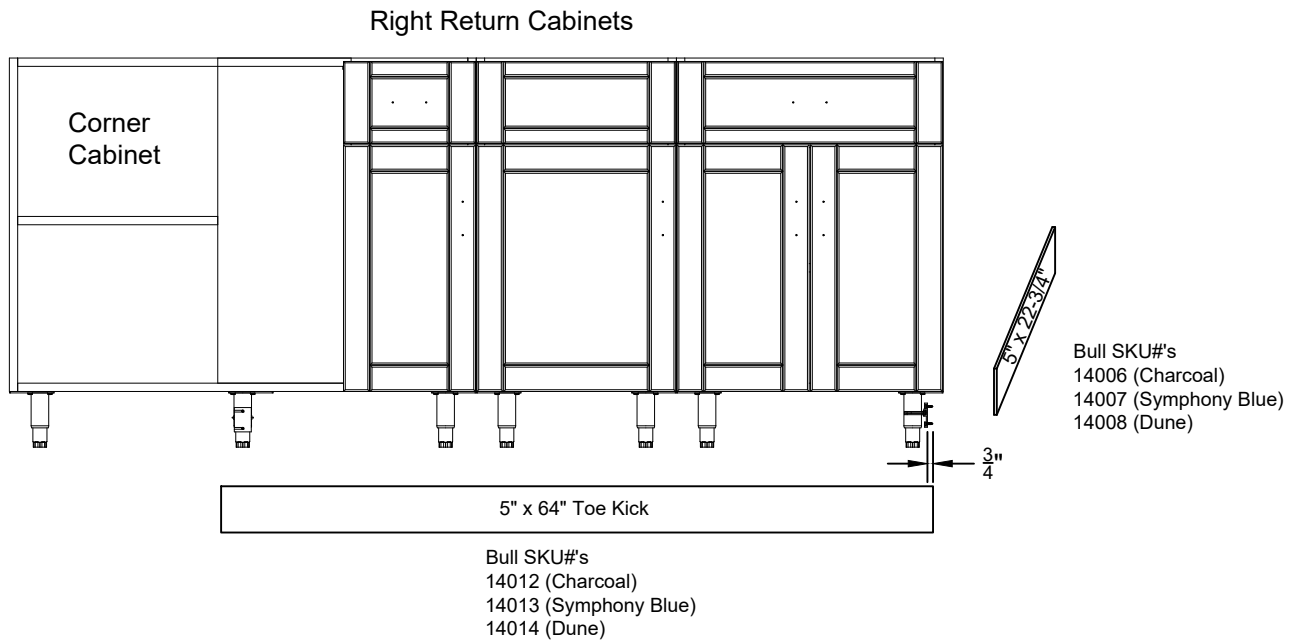
Straight Top Down View



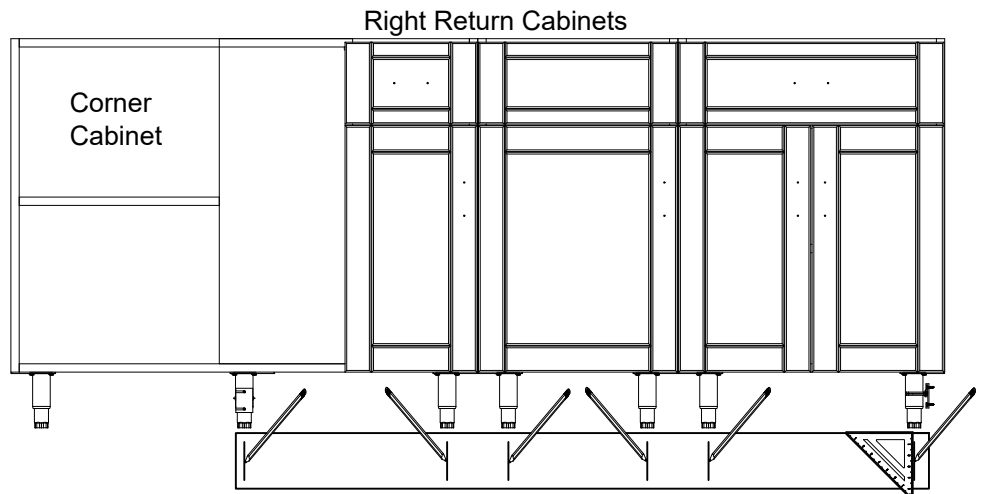
TOE KICK PREPARATION & INSTALLATION

RIGHT RETURN ONLY

21. Put a toe kick clip on the right side front leg parallel with the side of the end cabinet, as shown. With the front toe kick on the return cabinets, lay the precut toe kicks face down in front of the cabinets. Note: it is best to lay the toe kick on cardboard to prevent scratching. The front toe kick must be $\frac{3}{4}$ " past the end toe kick clip, before proceeding to the next step.



22. Using a sharpie and a small square, line up the center of the legs and mark. This will be the placement of the clip mount brackets.

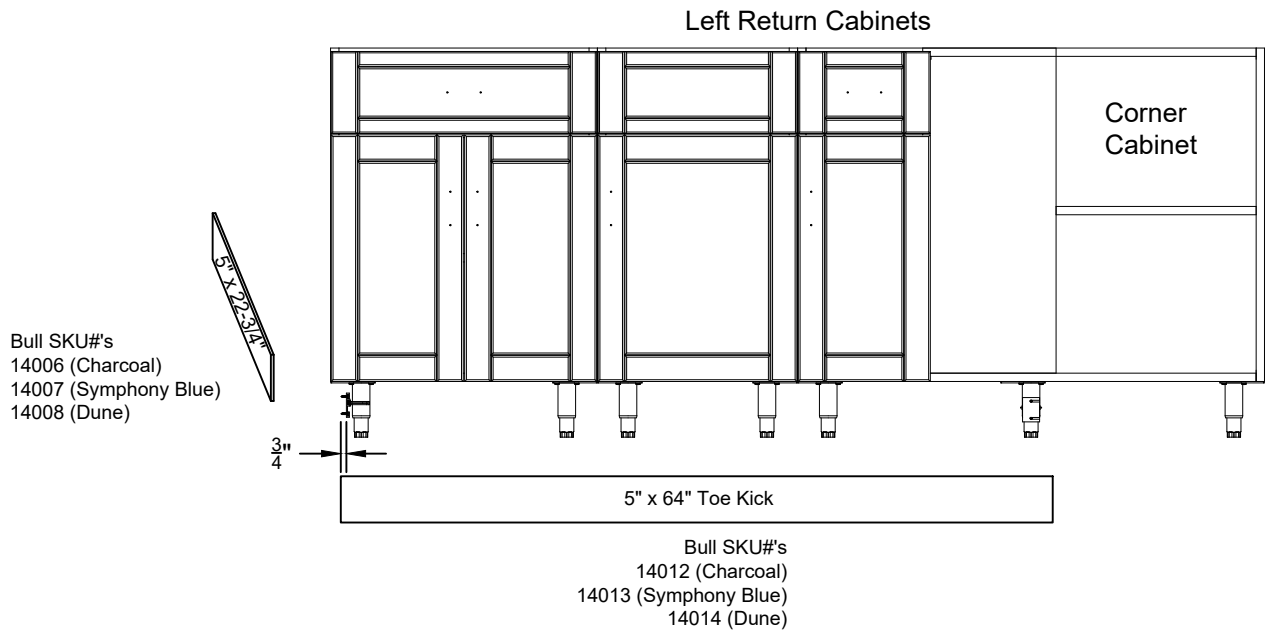


Note: Toe kicks are 5" in height.

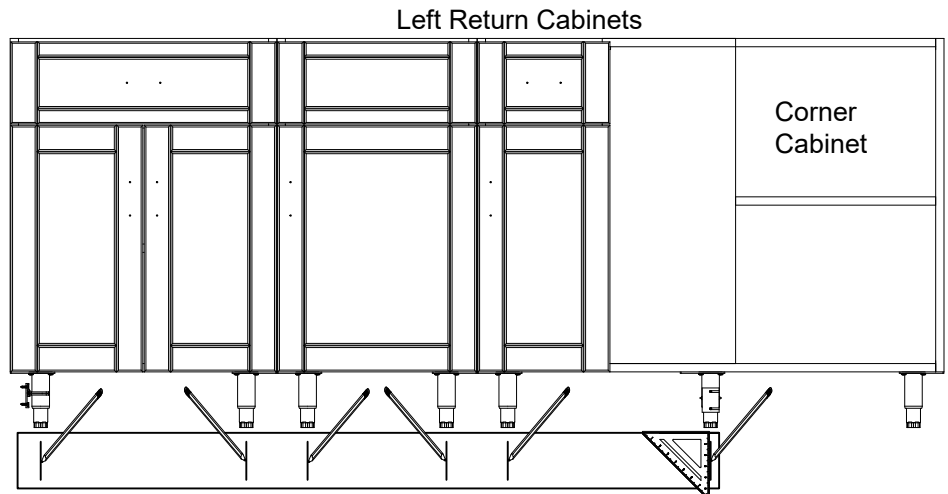
TOE KICK PREPARATION & INSTALLATION

LEFT RETURN ONLY

21. Put a toe kick clip on the left side front leg parallel with the side of the end cabinet, as shown. With the front toe kick on the return cabinets, lay the precut toe kicks face down in front of the cabinets. Note: it is best to lay the toe kick on cardboard to prevent scratching. The front toe kick must be $\frac{3}{4}$ " past the end toe kick clip, before proceeding to the next step.



22. Using a sharpie and a small square, line up the center of the legs and mark. This will be the placement of the clip mount brackets.

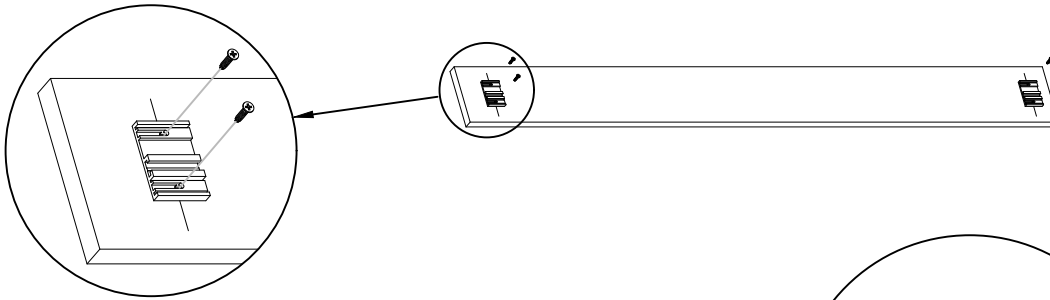


Note: Toe kicks are 5" in height.

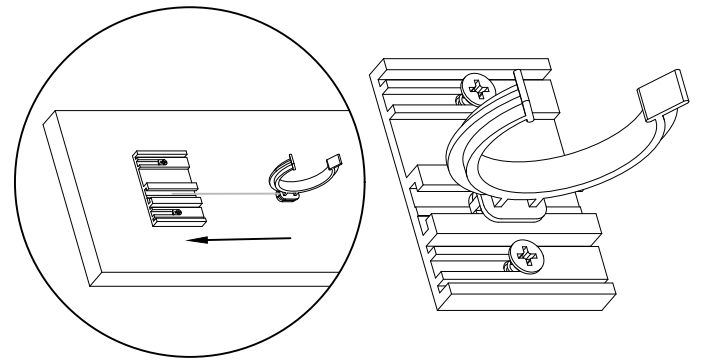
FRONT TOE KICK PREPARATION & INSTALLATION

Make sure toe kicks are ripped to the desired height before proceeding. Note: Toe kicks are 5" tall to start.

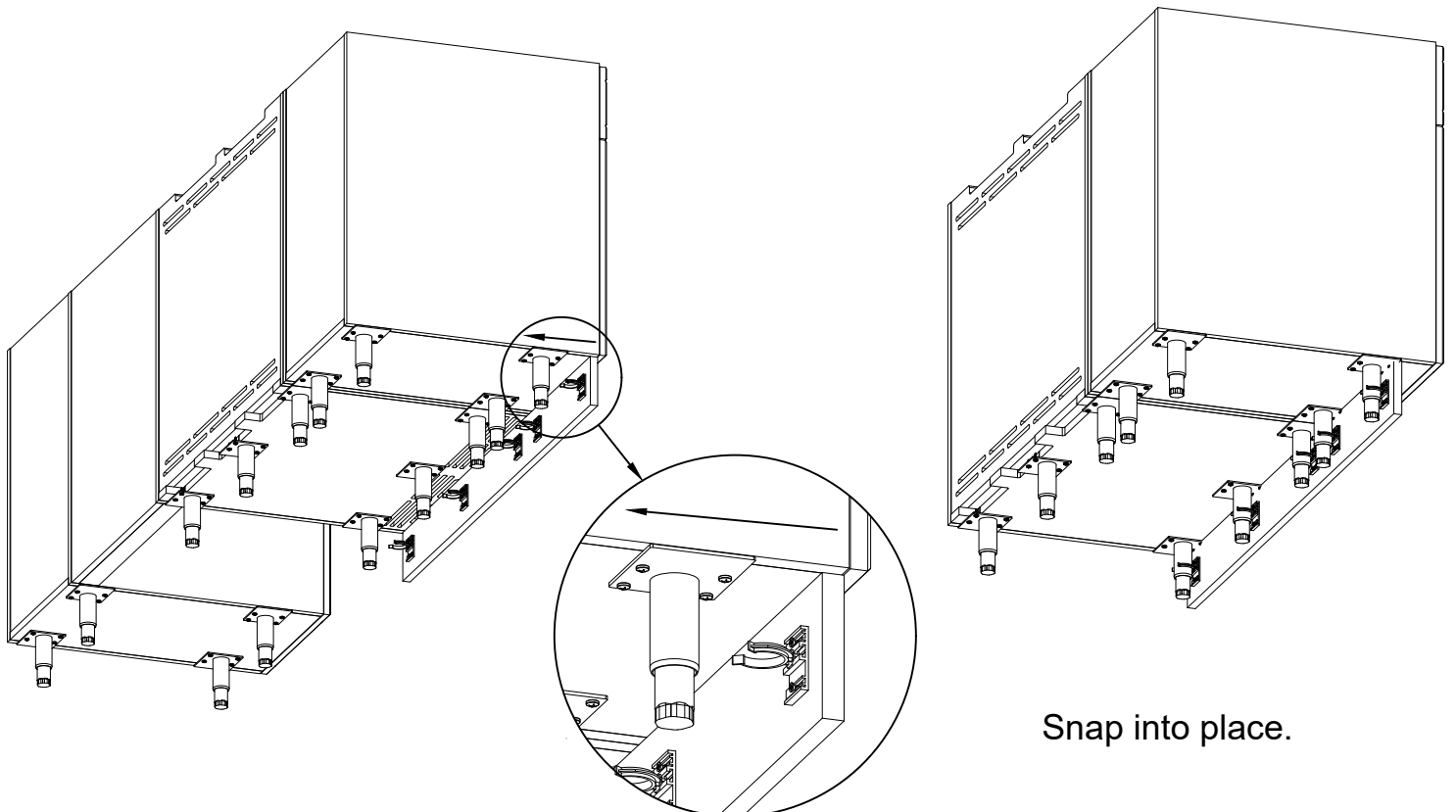
18. Line up the clip mounts, center of the marked lines and approximately center up and down. (The mount & clip will hold the toe kick best and straight when it is approximate in the center of the toe kick marks).



19. Once all clip mounts are screwed into the toe kick, slide the clips into the center of the clip mount. Note: This allows room for side to side adjustment.



20. When all clips are on the clip mounts, line them up with the legs and gently snap in one clip at a time from right to left or left to right.

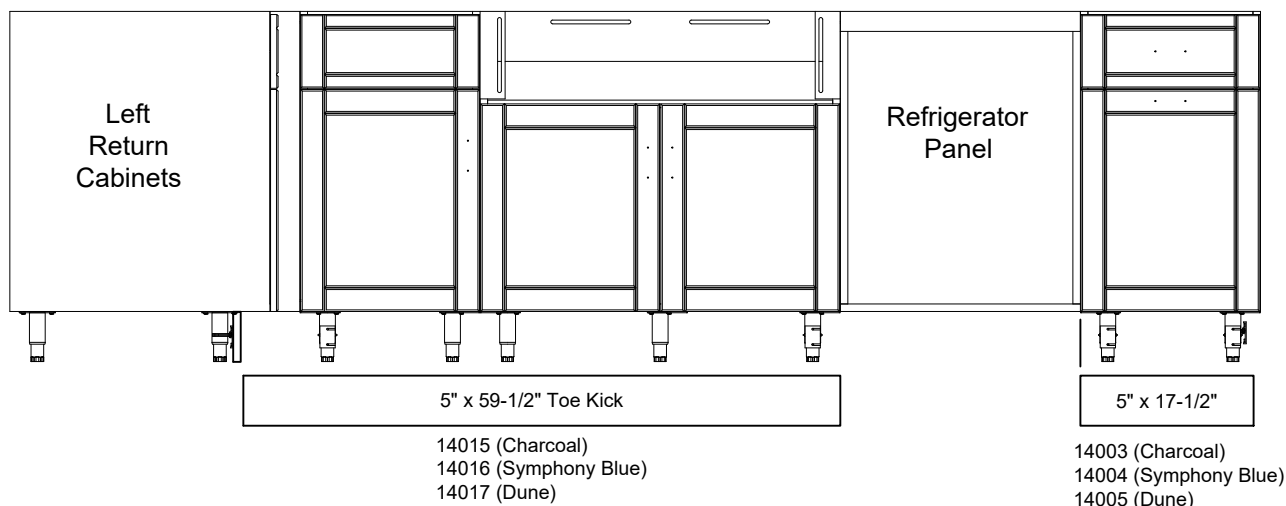


FIND YOUR MODEL

FRONT TOE KICK PREPARATION & INSTALLATION

SAVANNAH KITCHEN LEFT AND RIGHT ONLY

26. Starting with the front toe kicks. Place the precut toe kicks down on cardboard in front of the cabinets. Butt up the 59-1/2" toe kick against the return toe kick and make the 17-1/2" toe kick flush with the refrigerator opening, before proceeding to the next step.

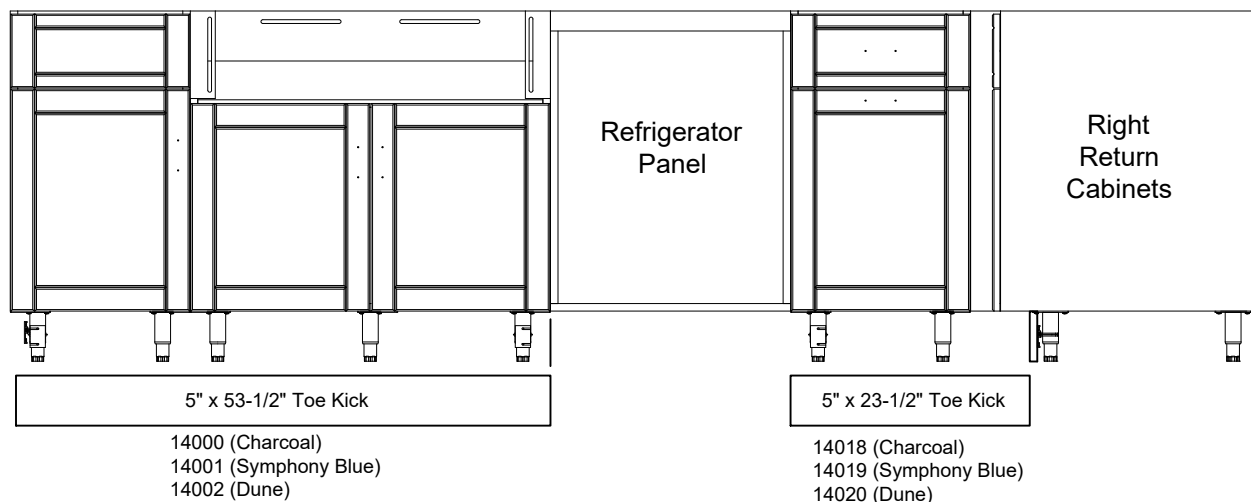


27. Now use the same technique use on page 24 to mark the toe kick.

28. proceed to continue with what was done on page 26 adding the mount and clip. Continuing to snap the toe kick into place.

OR

26. Starting with the front toe kicks. Place the precut toe kicks down on cardboard in front of the cabinets. Butt up the 23-1/2" toe kick against the return toe kick and make the 53-1/2" toe kick flush with the refrigerator opening, before proceeding to the next step.



27. Now use the same technique use on page 24 to mark the toe kick.

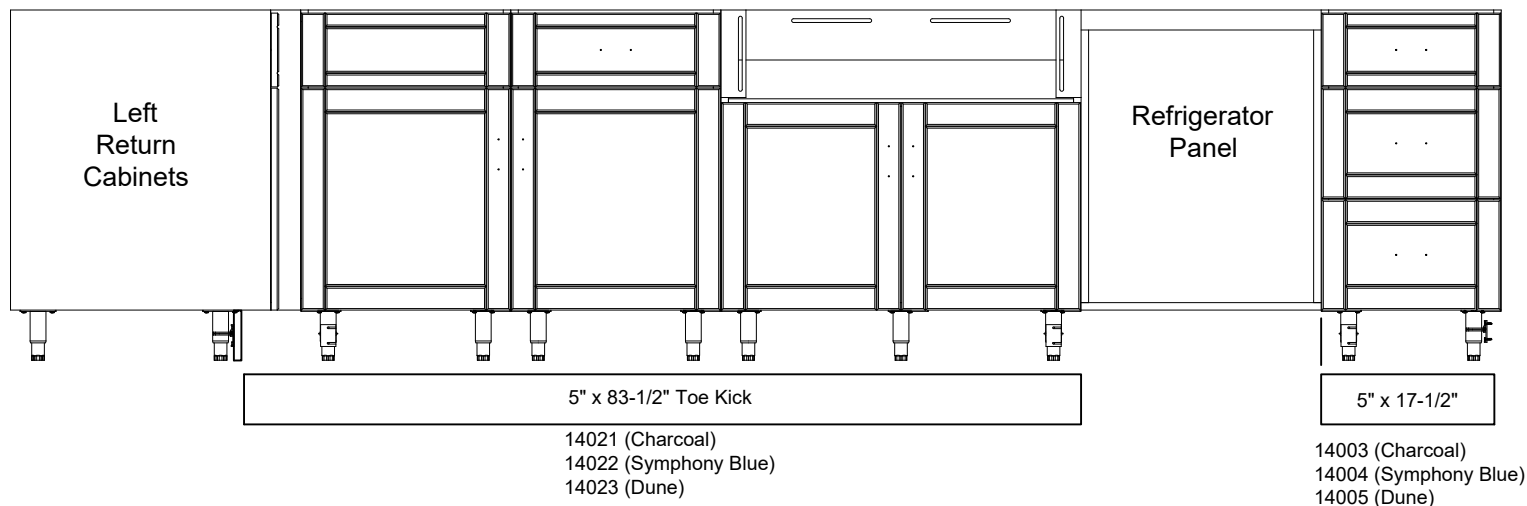
28. proceed to continue with what was done on page 26 adding the mount and clip. Continuing to snap the toe kick into place.

FIND YOUR MODEL

FRONT TOE KICK PREPARATION & INSTALLATION

AUGUSTA KITCHEN LEFT AND RIGHT ONLY

26. Starting with the front toe kicks. Place the precut toe kicks down on cardboard in front of the cabinets. Butt up the 83-1/2" toe kick against the return toe kick and make the 17-1/2" toe kick flush with the refrigerator opening, before proceeding to the next step.

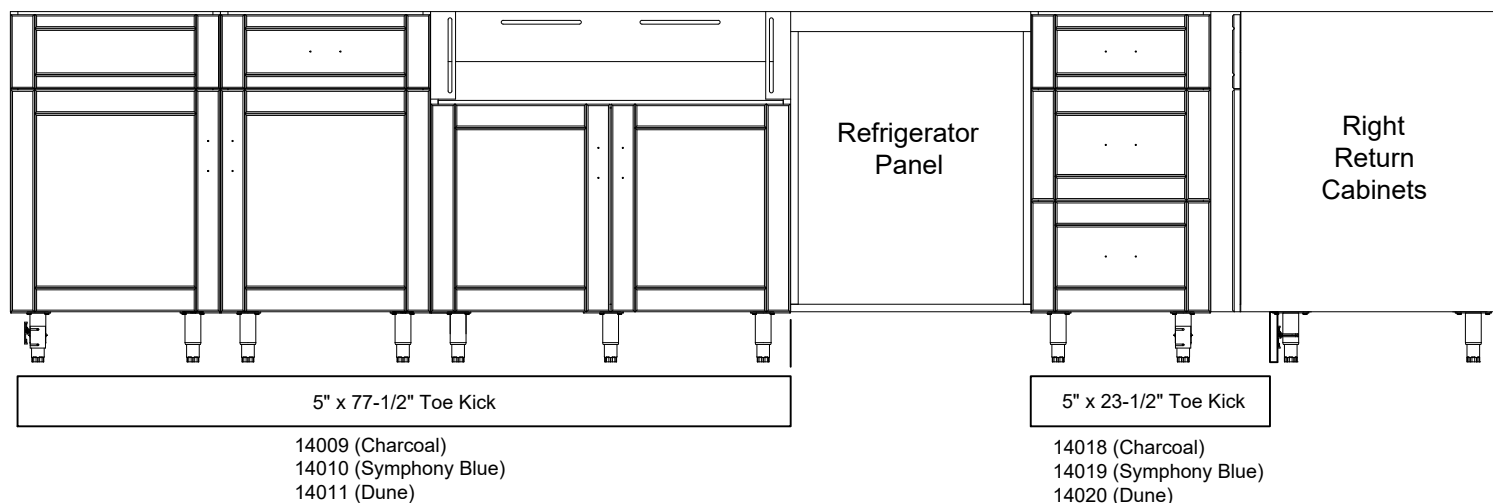


27. Now use the same technique use on page 24 to mark the toe kick.

28. proceed to continue with what was done on page 26 adding the mount and clip. Continuing to snap the toe kick into place.

OR

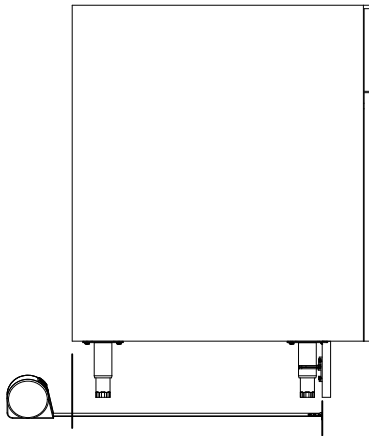
26. Starting with the front toe kicks. Place the precut toe kicks down on cardboard in front of the cabinets. Butt up the 23-1/2" toe kick against the return toe kick and make the 77-1/2" toe kick flush with the refrigerator opening, before proceeding to the next step.



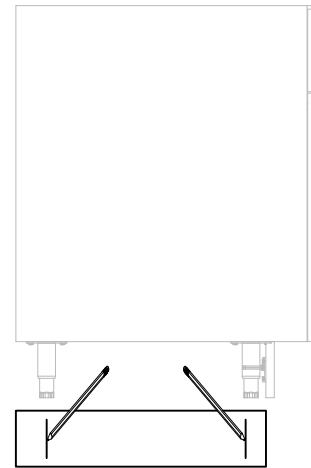
27. Now use the same technique use on page 24 to mark the toe kick.

28. proceed to continue with what was done on page 26 adding the mount and clip. Continuing to snap the toe kick into place.

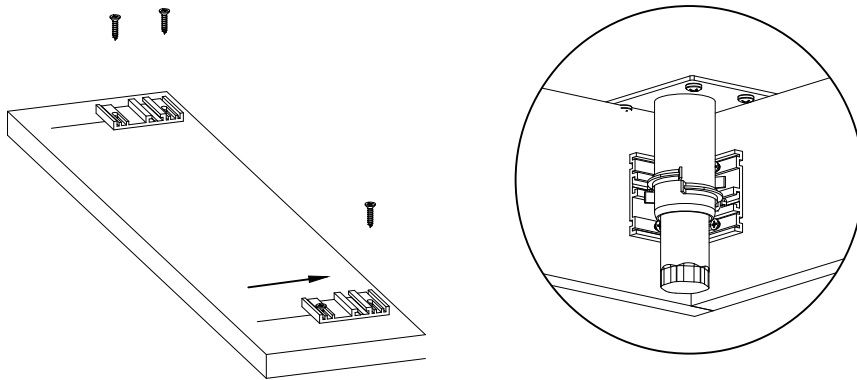
SIDE TOE KICK INSTALLATION



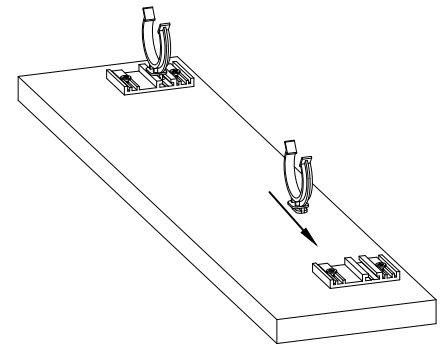
21. Measure from the inside of the front installed toe kick to the rear of the cabinet. Note: If you are installing a rear toe kick you will install the rear toe kick before measuring this side piece. On the rear toe kick, measure the inside of both the front and rear.



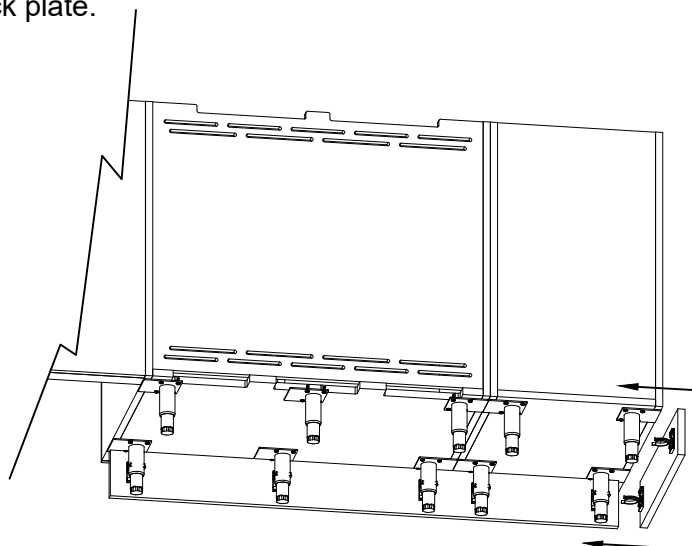
22. Lay down the side toe kick flush with the inside front toe kick. Use a sharpie to mark the center of the legs.



23. Offset front side clip mount by 1/2" either above or below your front toe kick measurement (This will ensure that the 2 clip mounts on the leg do not interfere with each other). Screw the clip mounts to the kick plate.



24. Slide the clips on the brackets.

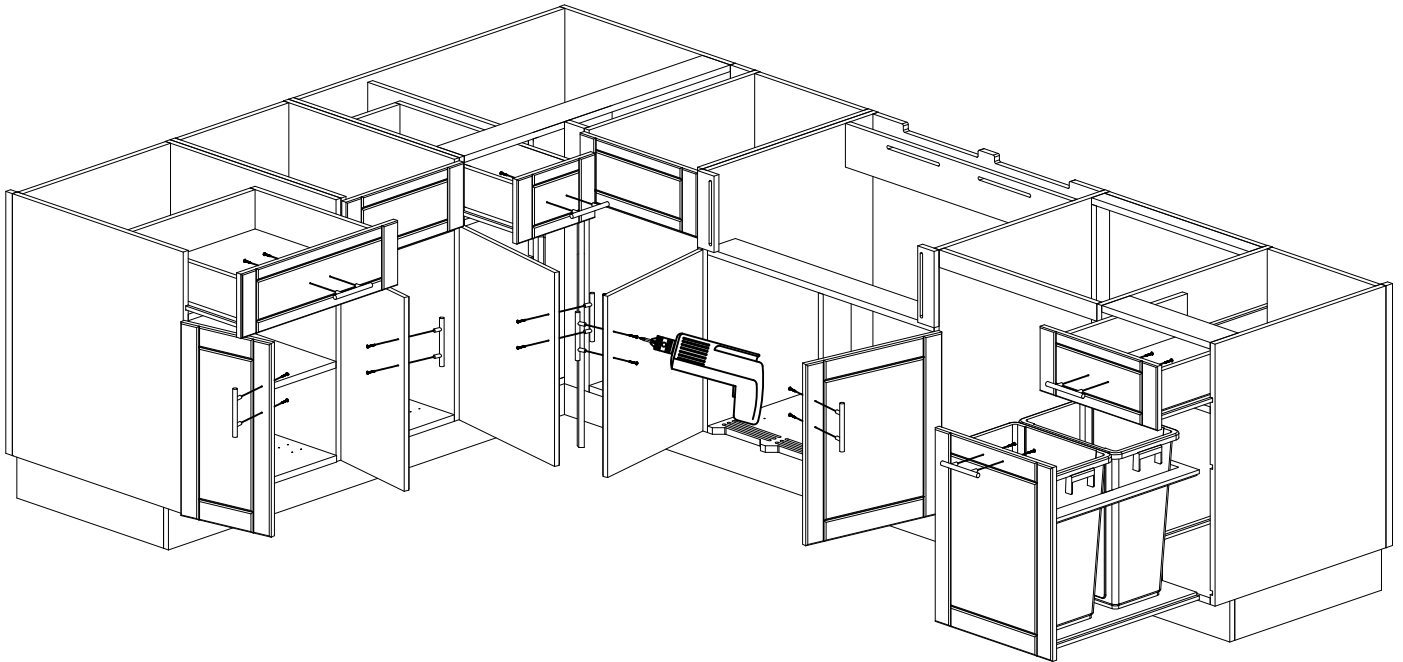


25. Snap the kick plate carefully one side at a time.

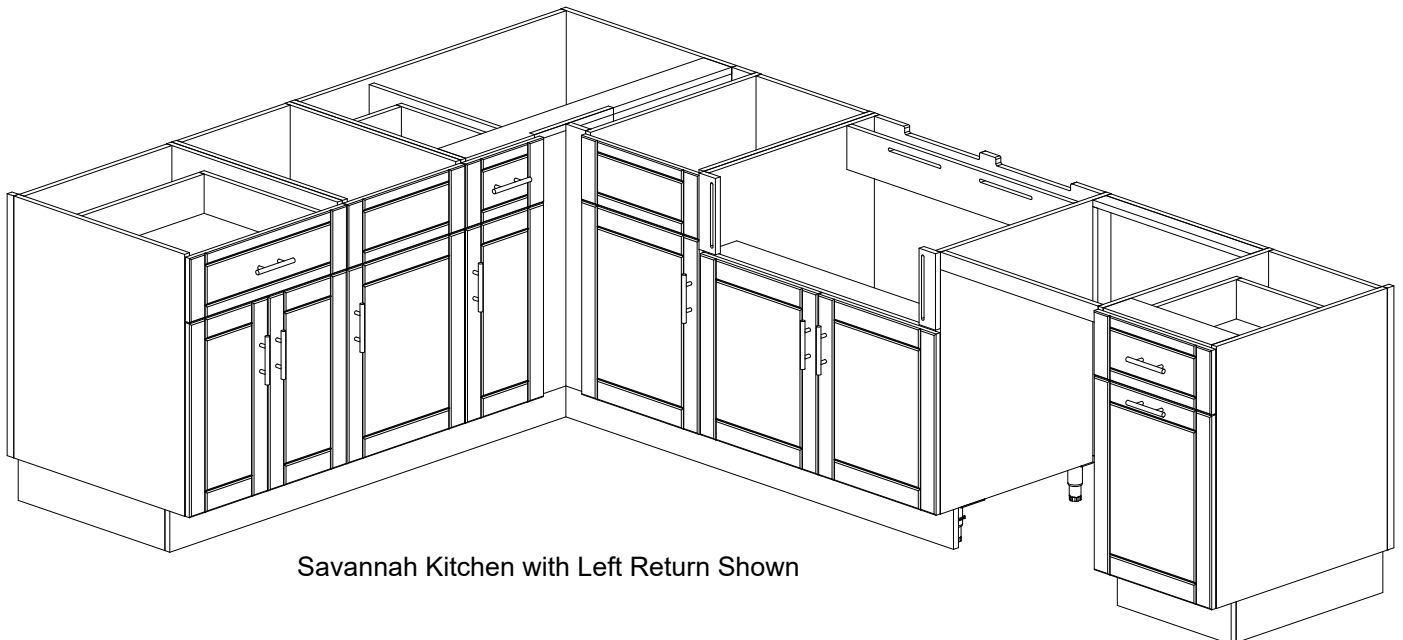
Note: If installing a rear toe kick measure both outside end with the mounts and clips, add 1 1/2" overall.

HANDLE INSTALLATION

Savannah Kitchen with Left Return Shown



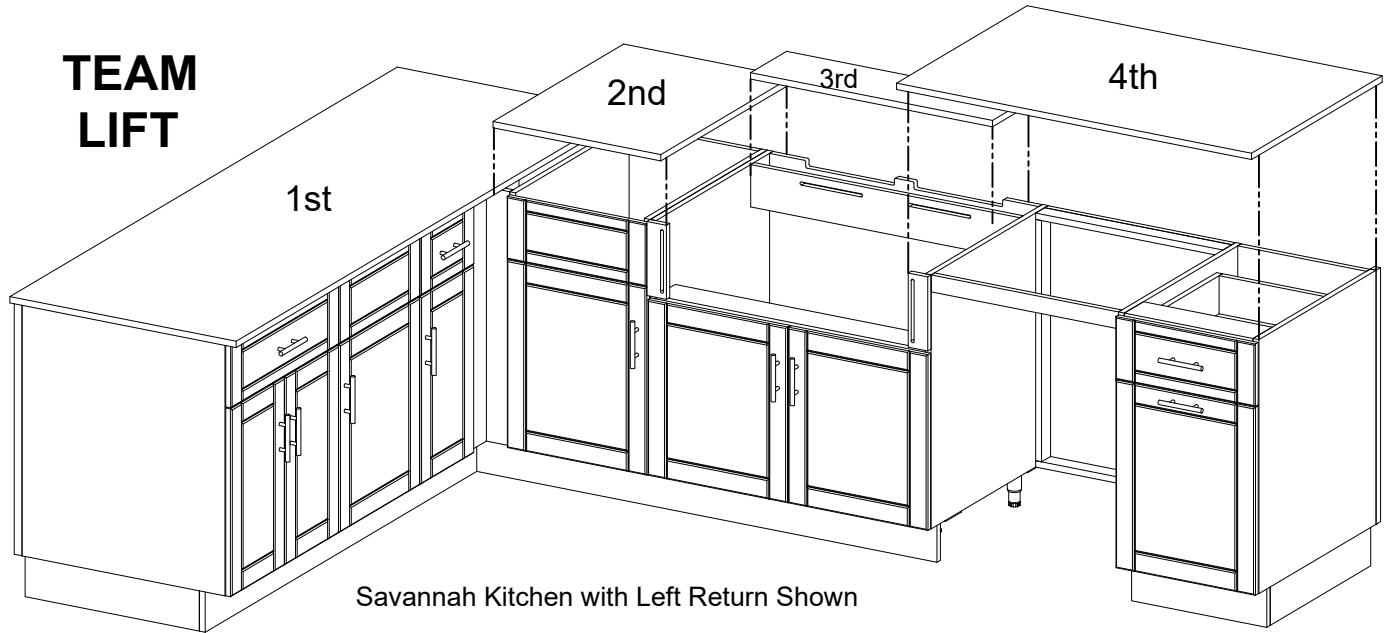
33. Screw in the door handles using the pre-drilled holes in the doors. The drawer fronts are pre-drilled, the backs are not. You must use the pre-drilled holes on the fronts to drill out the backs using a 5/32" drill bit. When the drawer holes are completed, attach the handles.



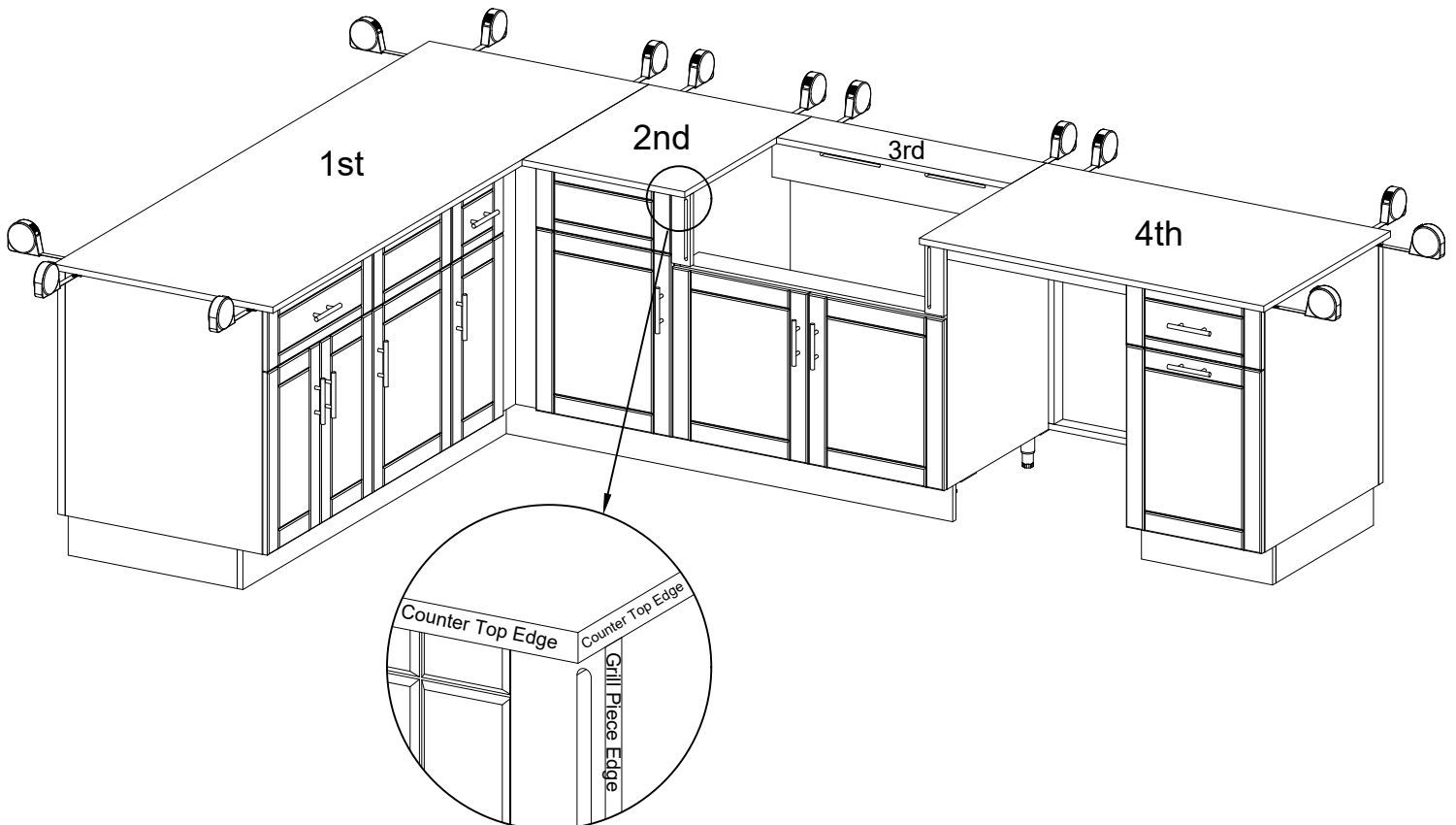
Savannah Kitchen with Left Return Shown

COUNTER TOP INSTALLATION

34. Starting with the largest piece of granite first. Set the granite onto the cabinets as shown in the order below, allowing approximately 1" on side and 1" on back.

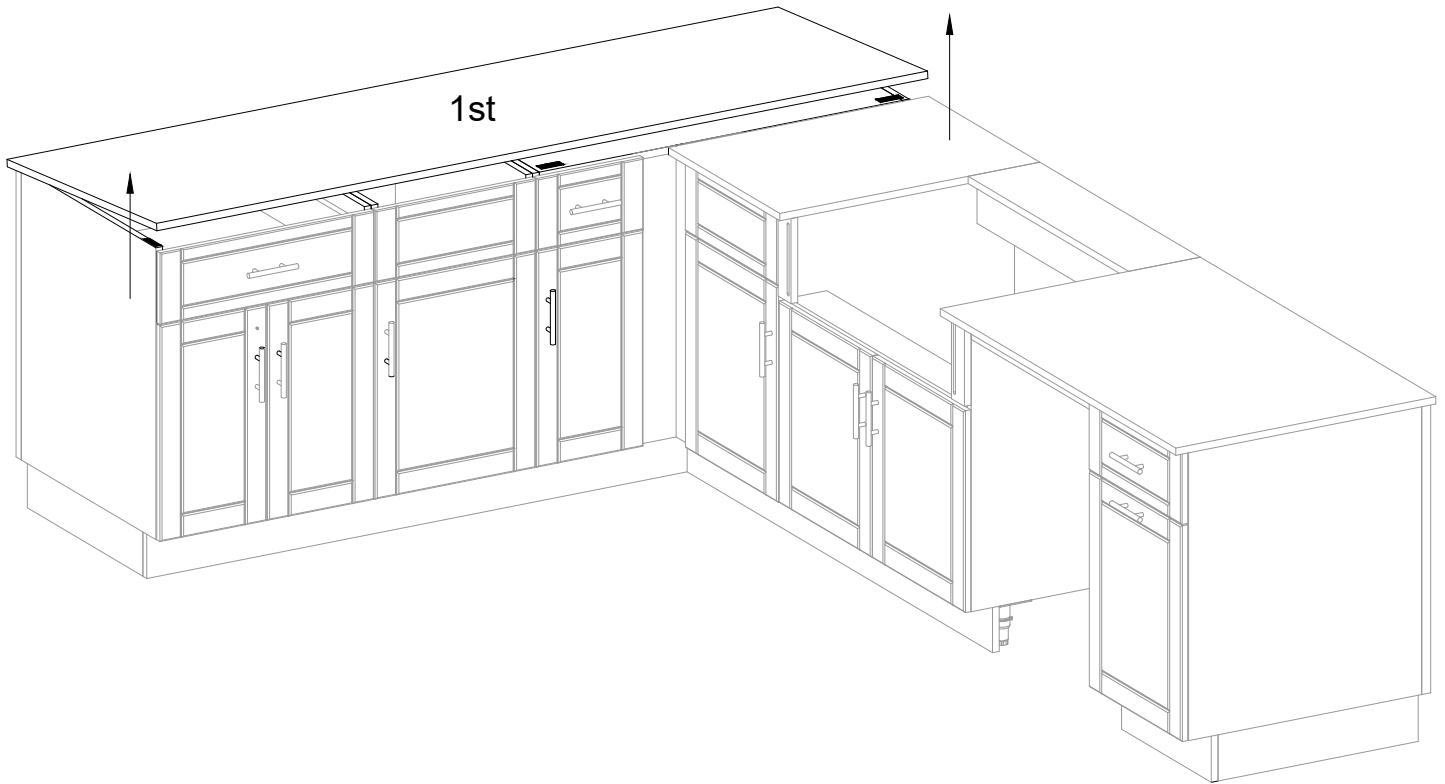


Note: When the granite is set, the counter tops should have 1" overhang on the sides and back. Keep in mind you want to make sure the edge of the counter is flush to the grill openings as shown above.

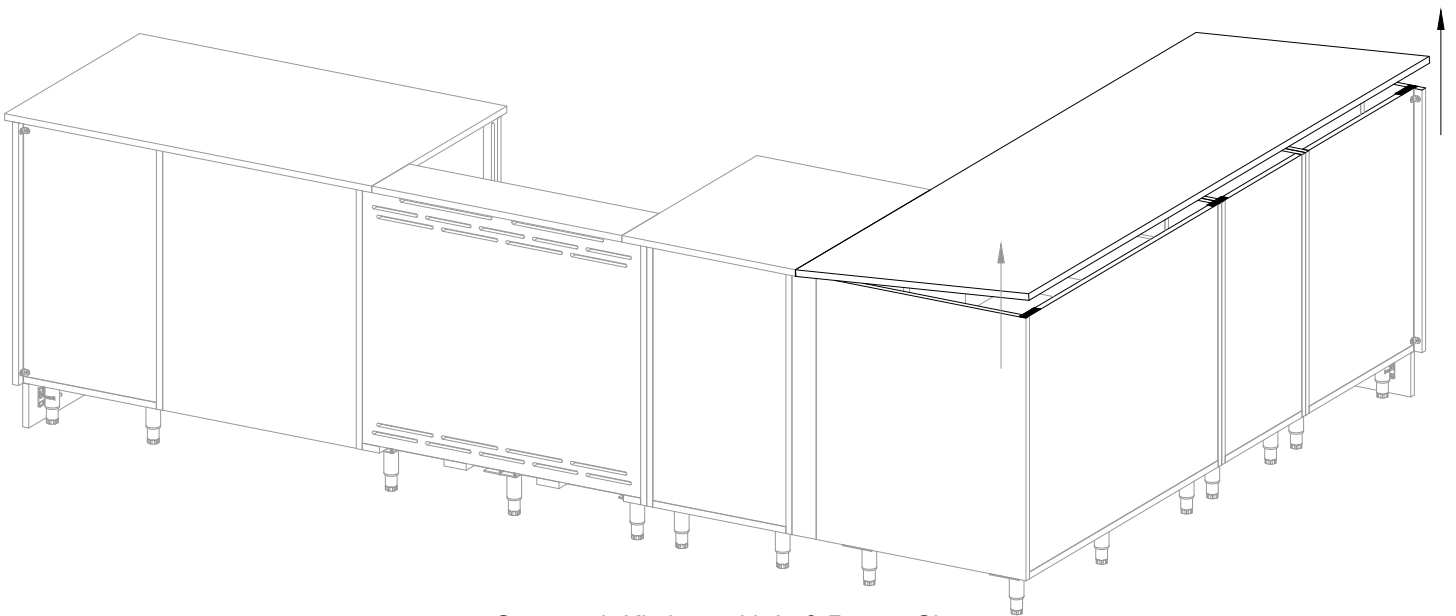


ADHERE THE COUNTER TOP

Savannah Kitchen with Left Return Shown



35. When all granite is in place, lift the front edge of granite top pivoting on the back edge about 3", being careful not to let the top slide or move to maintain that back 1". Apply the adhesive strips (provided) in the locations shown, then rest the counter back into position, verifying your 1" overhang. Repeat these steps for the other side. You can use a spacer block to set the countertop on while applying the adhesive strips. **Note: The tape does not allow the top to be moved around after top is lowered. Starting with only one corner down to start will allow the top to be lifted for adjustments until the 1" overhang is achieved.**

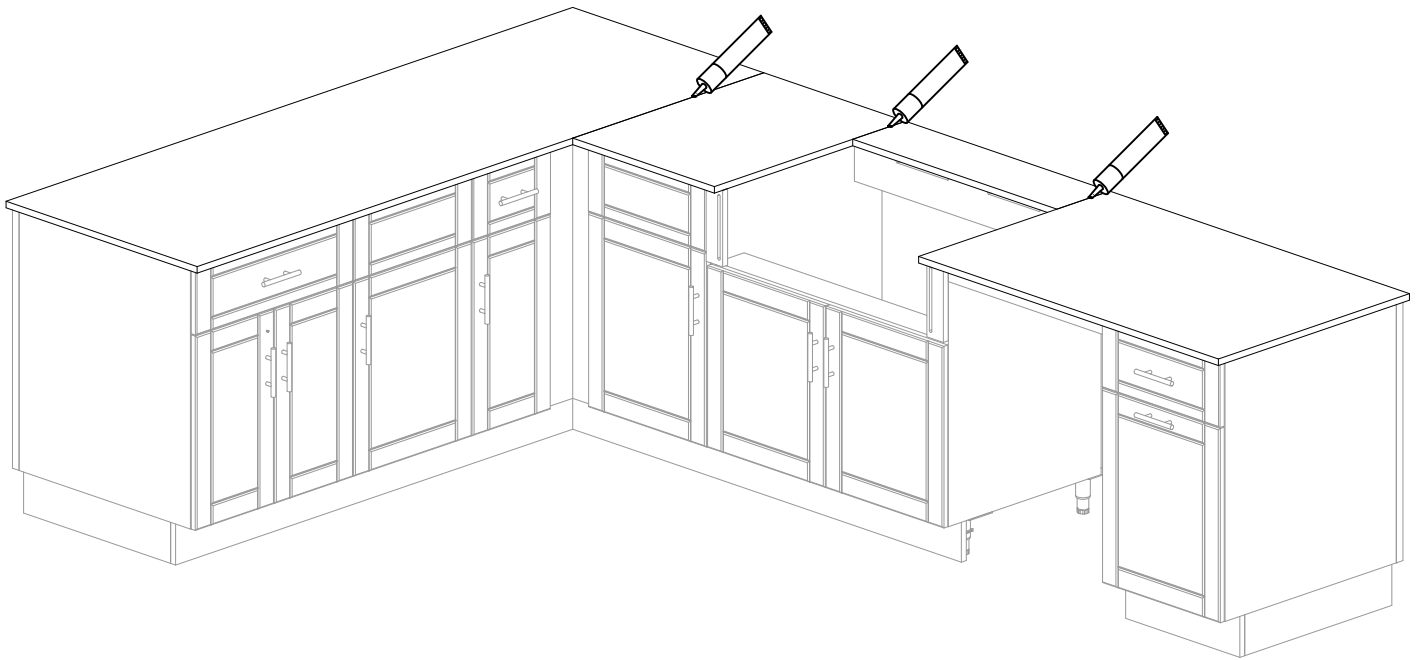


Savannah Kitchen with Left Return Shown

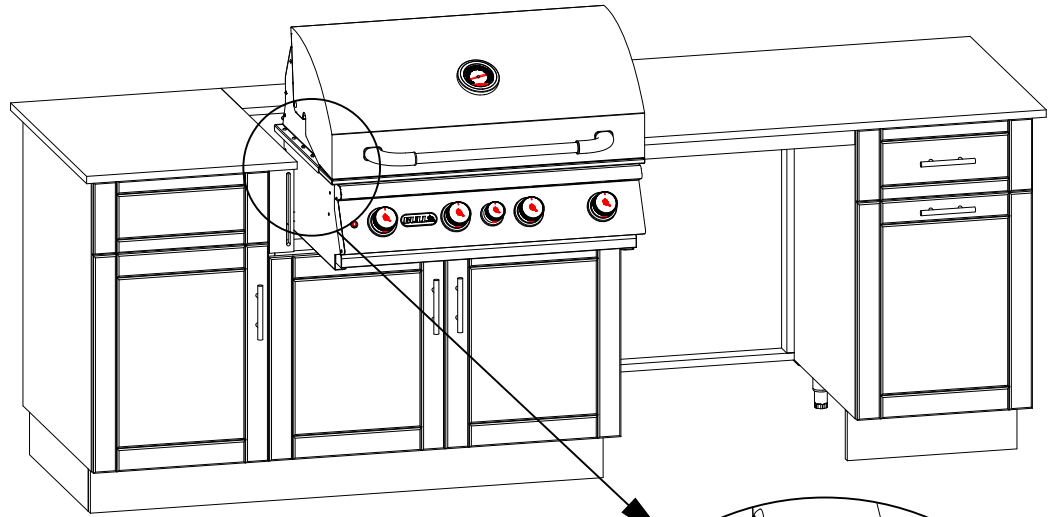
GROUTING COUNTERTOP SEAMS

36. After all steps are completed, and granite is firmly adhered to the adhesive strips, you can apply the colored caulking provided in the granite counter joints. Clean the surface around the joints when finished.

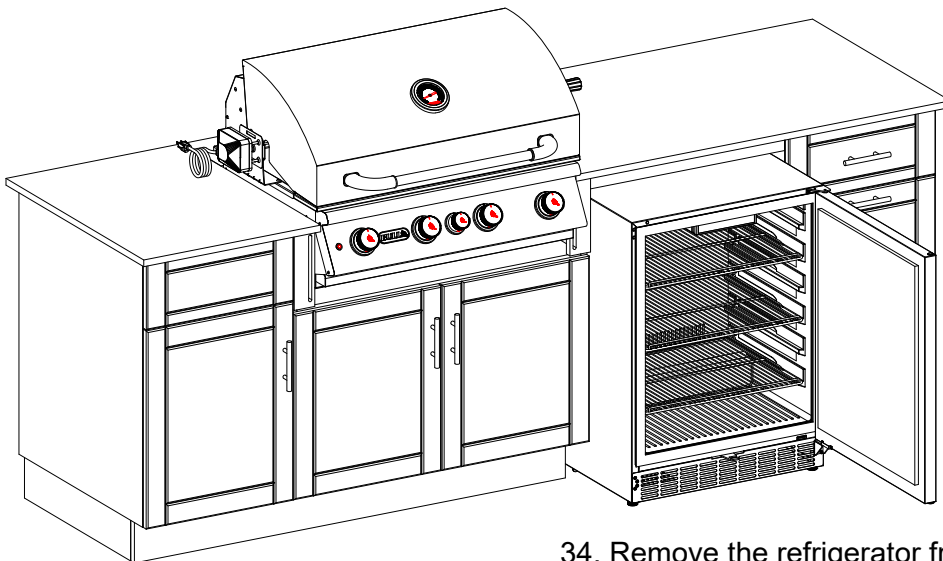
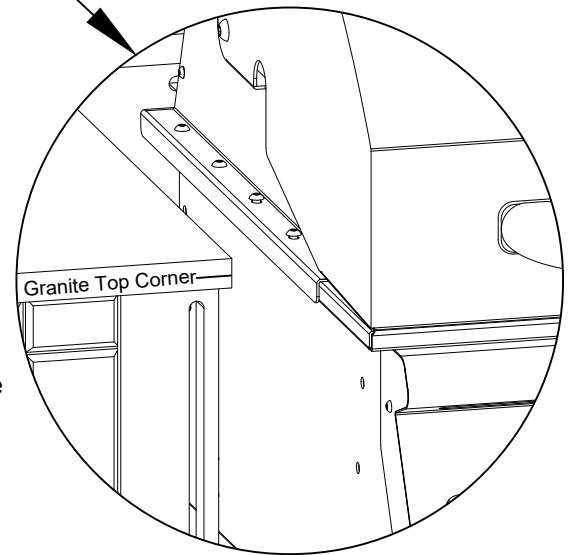
Savannah Kitchen with Left Return Shown



Grill and Refrigerator Installation



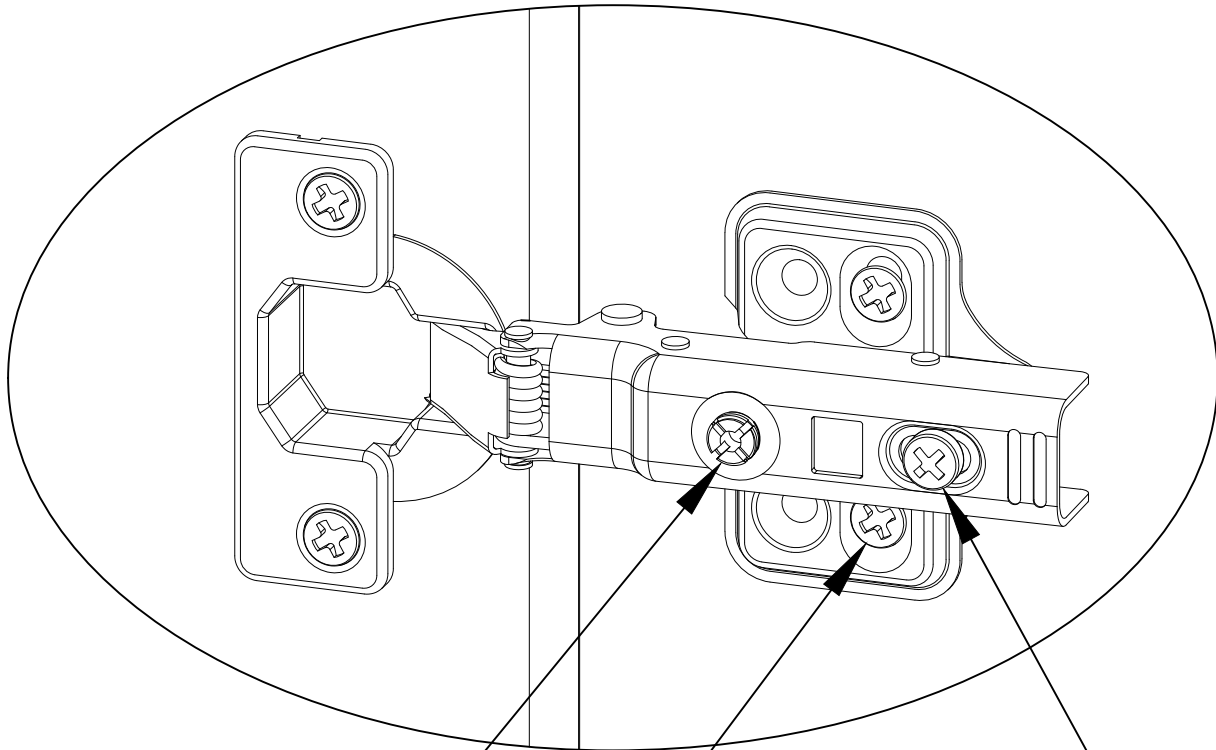
33. Remove the grill from the box and set on even ground. It is recommended to remove the grates, heat shields, flame tamers, box of knobs and the rotisserie motor before installing. (This will remove unnecessary weight while lifting, which makes it easier to maneuver) **BE CAREFUL NOT TO CHIP THE GRANITE WHEN SLIDING THE GRILL IN PLACE.** Pay close attention to the granite edge. When the grill is a few inches back behind the front of the granite you can slide the rest gently into place.



34. Remove the refrigerator from the box and place on level ground. It is recommended to remove the shelves and clips before installing. (This will remove unnecessary weight while lifting) With your palms facing up inside the center of the refrigerator, lift slowly in place. Do not use your feet or knees to install the refrigerator. Both will cause damage to your refrigerator.

Hinge Adjustment

Doors might need adjustment and tightening after assembly due to shipping movement.



Adjustment point for door left
and right position when door is
closed.

Adjustment points for door elevation.

Adjustment point for door gap between cabinet box and door

MAXIMUM RESILIENCY MEANS MINIMAL MAINTENANCE

DuraBull cabinetry is built to be UV and weather resistant. Crafted from high-density polyethylene (HDPE), *DuraBull* is built to withstand rigorous daily outdoor and indoor use. To keep *DuraBull* cabinetry looking good, follow these simple cleaning instructions.

GENERAL CARE

- Clean regularly with a standard soap and water solution and a soft cotton cloth.
- Acceptable cleaners: 10% chlorine bleach dilution, hand washing liquid soap, glass cleaner, ammonia, furniture polish.
- If debris or grease appears on the surface, spray the affected area with a garden hose. If necessary, remove excess dirt and debris by scrubbing with a soft bristle brush or sponge.
- Allow the material to air dry or use a soft towel to remove excess moisture.
- A pressure washer with no greater than 1500 PSI may be used to remove dirt, dust, or other types of airborne particulates. Use a wide angled (40° >) spray nozzle and do not direct the sprayer less than 8" from the cabinetry surface.

AVOID THE FOLLOWING CLEANING PRODUCTS

- Chemical cleaners, sprays, and hard scrubbers.
- Spic & Span which contains abrasives Sodium Carbonate and Sodium Silicate.
- Tilex which contains Sodium Hypochlorite.
- Comet which contains abrasives Calcium Carbonate and Sodium Carbonate

Splatters & Spills

Clean spills and splatters immediately. Prolonged exposure to spills, including food, water, or other liquids, or to oil and grease splatters, can cause permanent discoloration or damage to your cabinet's finish.

Regular Dusting

Use a clean/ dry soft cotton cloth for regular dusting. Packaged dusting sheets are not recommended. Do not use pre-moistened dusting sheets, or aerosol products made for dusting.

HARDWARE CLEANING CARE

Decorative surface hardware such as drawer and door pulls, and knobs should be stainless steel, with stainless steel screws for best results. Refer to the hardware manufacturer's recommendations for the cleaning of stainless steel hardware.

Hinges and optional soft-close glides require little to no maintenance. Should dust or debris appear on the surface of a hinge or glide, remove using a soft bristle brush or toothbrush.

Apply spray lubricant such as WD-40 to the hinge. Then open and close the cabinet door a few times so the lubricant can work into the hinge while its parts are in motion.

CAUTION: Storing open containers of caustic chemicals inside the cabinets can be corrosive to the hinges



DURABLE CONSTRUCTION

The 3/4" marine-grade HDPE is UV and weather-resistant. Cabinets will never rot, delaminate, or splinter and never need refinishing.



INNOVATIVE TECHNOLOGY

Uniquely constructed with a hidden patented joinery technology for a beautiful finish with no visible fasteners.



100% RECYCLABLE

HDPE cabinets have a recycling code of 2, which means at the end of its lifetime, it is easily recycled into usable products for home and garden.



LIMITED LIFETIME WARRANTY

Assures the cabinetry you are buying is of good quality and without manufacturing defects, for years of worry-free enjoyment.



EASY TO CLEAN

Easy-to-clean surfaces means you spend more time enjoying your Outdoor Kitchen and less time cleaning them.



DESIGNED IN THE USA

Discover the excellence of American ingenuity with our proprietary, and unique products. *DuraBull*™ cabinetry is manufactured and hand-assembled with materials sourced from American companies.



LIFETIME LIMITED WARRANTY

Thank you for purchasing A DuraBull high-quality Outdoor Kitchen! We trust that our products will bring you many years of outstanding service and appearance.

Bull Outdoor Products Inc. warrants that DuraBull products shall be free from defects in material and workmanship under the following conditions:

This Warranty applies only to first quality High-Density Polyethylene (HDPE) cabinet carcasses, doors, drawers, and shelves. It is only applicable to properly installed products used in residential applications within the United States by the original purchaser, and it is not transferable. Hinges, leveling legs, and factory-installed hardware are provided with a 5-Year Limited Warranty subject to the same conditions, exclusions, and limitations detailed herein.

This Warranty does not cover normal wear and tear, accidents, spills, improper cleaning, misuse, improper installation, abuse, accidents, negligence, alterations, unauthorized repairs, commercial use, exposure or contact with caustic chemicals, and any other cause of damage unrelated to a defect in workmanship or material. In addition, environmental conditions, lighting, and surrounding colors can affect the perception of the colored finish, and sunlight and other conditions can cause natural aging of the finish. These are not defects covered by this Warranty.

Under the terms of this Warranty, Bull Outdoor Products Inc, in its sole discretion, will determine the appropriate remedy and will either repair or replace the defective item or parts. Refunds are generally not available. Bull Outdoor Products Inc. cannot guarantee that these replacements will match the residential application's original components' colors, hues, sheens, textures, finish, or appearance.

The repair or replacement of an item or part does not extend the duration of the warranty period or start a new warranty period. In-home inspection fees, transportation of the product to and from the retail store, and to and from Bull Outdoor Products Inc, if required for repairs are the responsibility of the purchaser.

HDPE is a manufactured product sourced by Bull Outdoor Products Inc. Colors are subject to availability and may be changed or discontinued over time. Bull Outdoor Products Inc reserves the right to alter design, specifications, and material without obligation to make similar changes to products previously manufactured.

If a warranty claim is filed after a product or color is discontinued, Bull Outdoor Products Inc reserves the right to honor the Warranty in one of the following fashions:

- To replace the affected component with a new component of the same style.
- To replace the affected component and any other component(s) in the residential application to achieve a reasonably uniform appearance with a similar and comparable product style to the initially purchased style.

This Warranty is provided only under the following conditions:

- Proper safeguards are incorporated in the use and care of cabinets in accordance with local building codes and Innovation Cabinetry's Installation Guide and Cabinet Cleaning and Care Guidelines including:
 1. Proper installation
 2. Protection against contact with extreme chemicals and harmful substances.
 3. Adherence to appliance manufacturers' specifications for installation and ventilation of cabinets.

THIS WARRANTY SHALL BECOME VOID IF THE CABINETS ARE IN ANY WAY MODIFIED, IMPROPERLY INSTALLED, OR DAMAGED BEFORE OR DURING THE INSTALLATION PROCESS. THE LIMITED WARRANTY IS THE EXCLUSIVE WARRANTY OF BULL OUTDOOR PRODUCTS INC. THIS LIMITED WARRANTY IS EXTENDED IN LIEU OF AND TO THE EXCLUSION OF ALL OTHER WARRANTIES, EXPRESS, IMPLIED, OR STATUTORY, INCLUDING ANY IMPLIED WARRANTY OF MERCHANTABILITY OR FITNESS FOR A PARTICULAR PURPOSE. IN NO EVENT SHALL BULL OUTDOOR PRODUCTS INC. LIABILITY EXCEED THE BUYER'S PURCHASE PRICE. THE LIMITED WARRANTY RUNS ONLY TO THE ORIGINAL END-USER OF THE PRODUCTS. THE LIMITED WARRANTY IS NOT INTENDED TO, AND DOES NOT, RUN TO ANY SUBSEQUENT BUYER OR END-USER, NOR TRANSFERRED TO ANY OTHER PERSON, UNLESS OTHERWISE SPECIFICALLY STATED IN WRITING BY AN OFFICER OF BULL OUTDOOR PRODUCTS INC. IN NO EVENT SHALL BULL OUTDOOR PRODUCTS INC BE LIABLE TO THE END-USER OR ANY THIRD PARTY FOR SPECIAL, COLLATERAL, INCIDENTAL, CONSEQUENTIAL, OR PUNITIVE DAMAGES. THIS WARRANTY GIVES YOU SPECIFIC LEGAL RIGHTS, AND YOU MAY HAVE OTHER RIGHTS, WHICH VARY FROM STATE TO STATE. SOME STATES DO NOT EXCLUDE OR LIMIT INCIDENTAL OR CONSEQUENTIAL DAMAGES, SO THE ABOVE LIMITATIONS OR EXCLUSIONS MAY NOT APPLY.

HOW DO YOU OBTAIN WARRANTY SERVICE? To obtain warranty service, you must submit a warranty claim online through the Bullbq.com website during the Warranty Period. Warranty claims will not be accepted via email, fax or phone.

