

WWW.BULLBBQ.COM

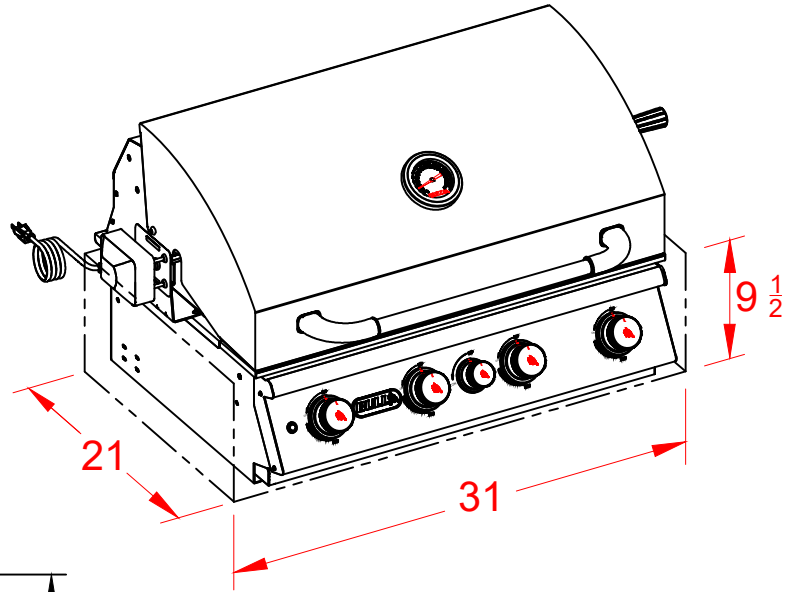
ANGUS 4 BURNER GRILL

SPEC SHEET

MODELS

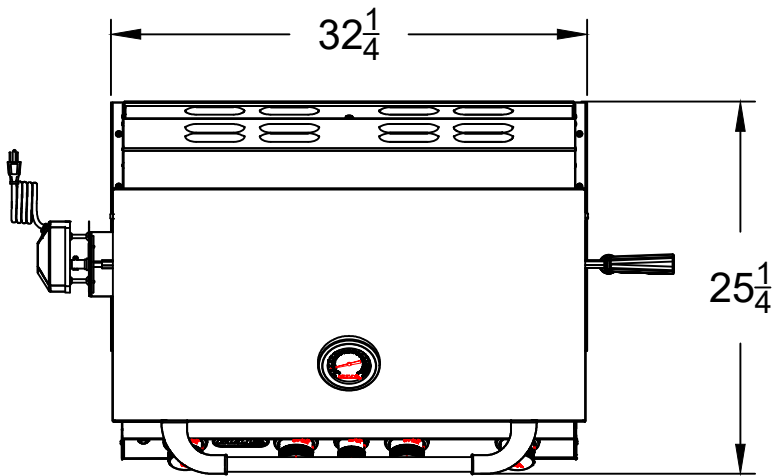
47628 LP (LIQUID PROPANE)

47629 NG (NATURAL GAS)

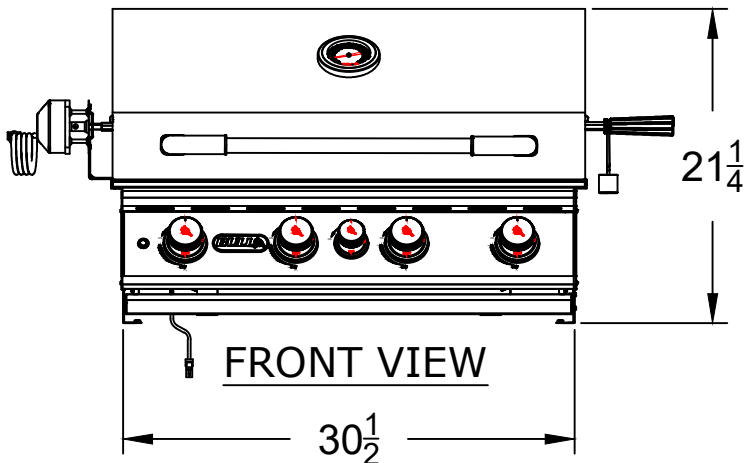


PERSPECTIVE VIEW

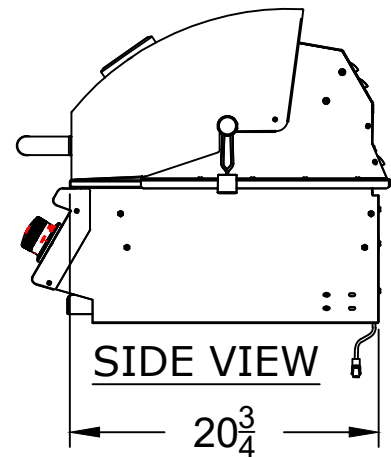
WITH INSTALLATION
CUT OUT DIMENSIONS



TOP VIEW



FRONT VIEW



SIDE VIEW

NOTES:

- 1) ALL DIMENSIONS ARE IN INCH UNITS
- 2) REFER TO PERSPECTIVE VIEW FOR INSTALLATION CUTOUT DIMENSIONS.