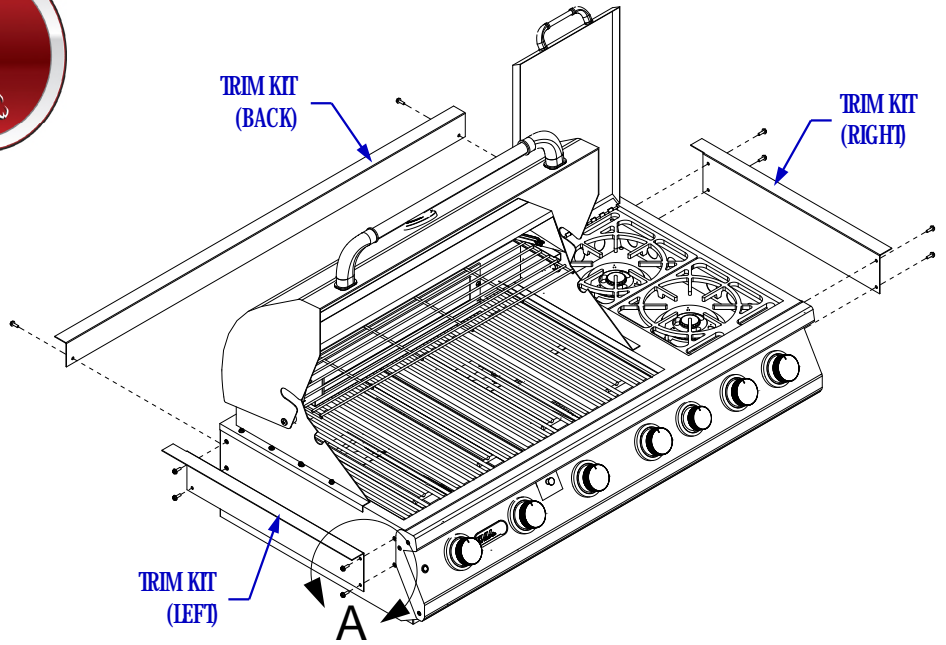


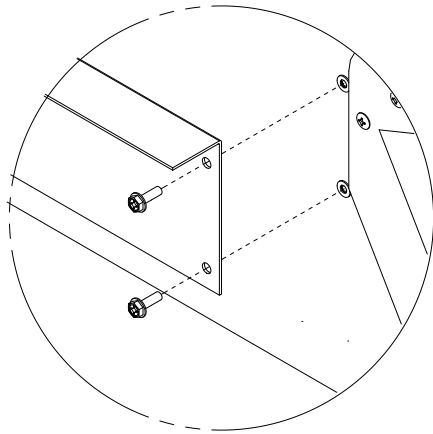


# BULL 7 BURNER GRILL SPEC SHEET

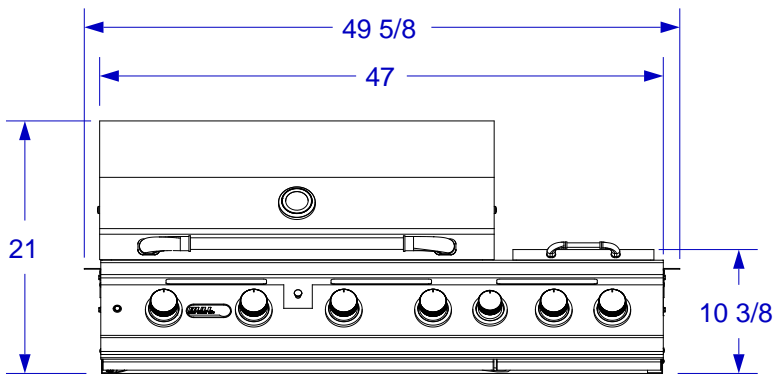
\*ISLAND MUST BE CONSTRUCTED WITH NON-COMBUSTIBLE MATERIALS; REFER TO GRILL OWNERS MANUAL



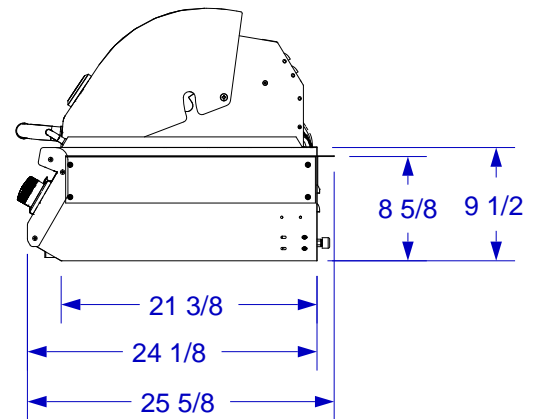
ISOMETRIC VIEW



Detail A  
SCALE 3" = 1' 0"



FRONT VIEW



RIGHT SIDE VIEW

**NOTES:**

1. CUTOUT DIMENSIONS: 47 3/4" W X 22" D X 9" H
2. TRIM KITS SUPPLIED; NOT NECESSARY FOR CART APPLICATION.
3. SCALE: 3/4" = 1'-0"
4. REVISION: 10/2014