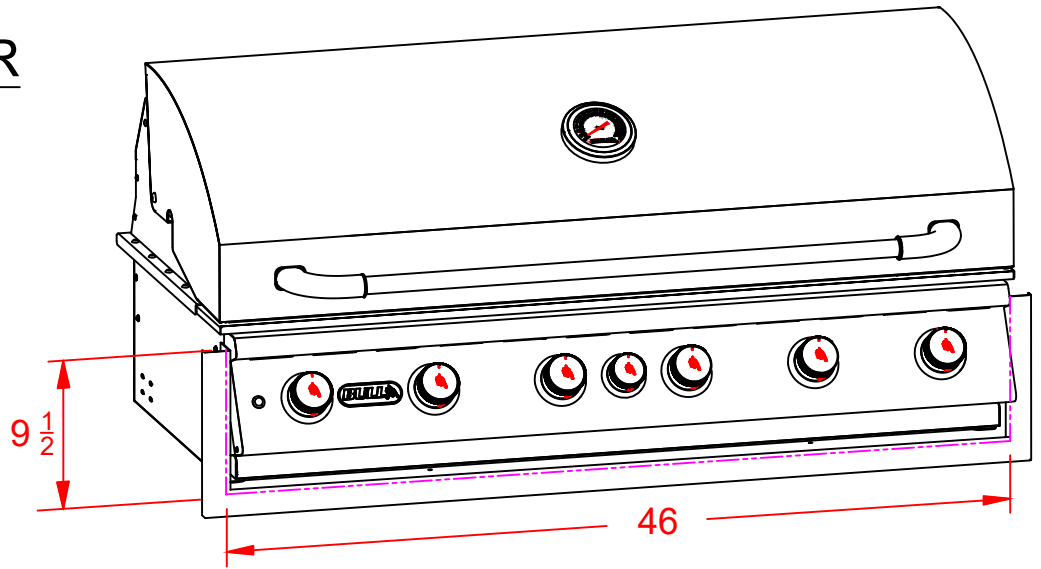




WWW.BULLBBQ.COM

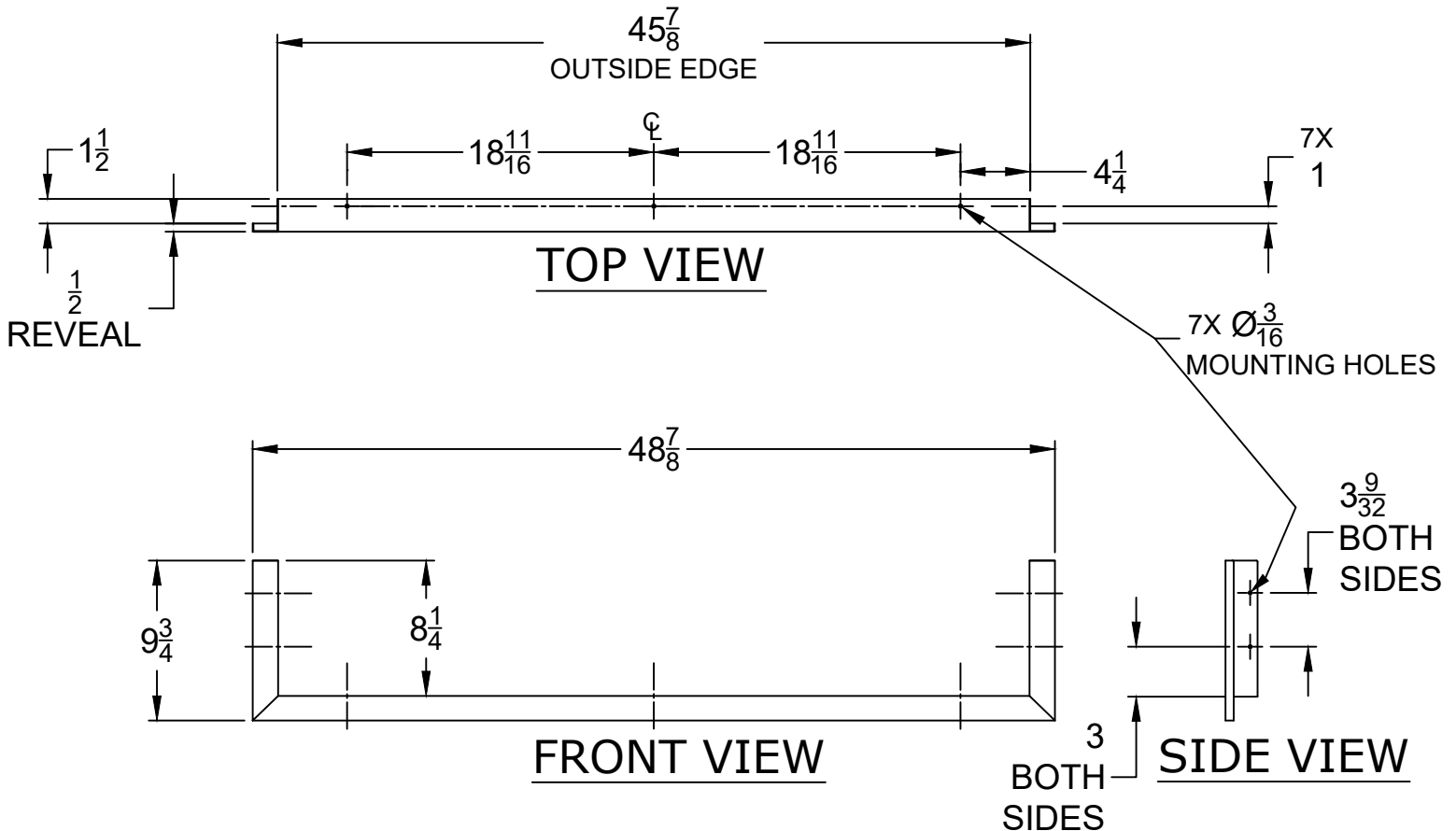
# FINISHING FRAME WITH REVEAL FOR 46 INCH GRILLS

SPEC SHEET  
ITEM #72009



## PERSPECTIVE VIEW

WITH INSTALLATION  
CUT OUT DIMENSIONS  
(GRILL SOLD SEPARATELY)



### NOTES:

- 1) ALL DIMENSIONS ARE IN INCH UNITS
- 2) REFER TO PERSPECTIVE VIEW FOR INSTALLATION CUTOUT DIMENSIONS.