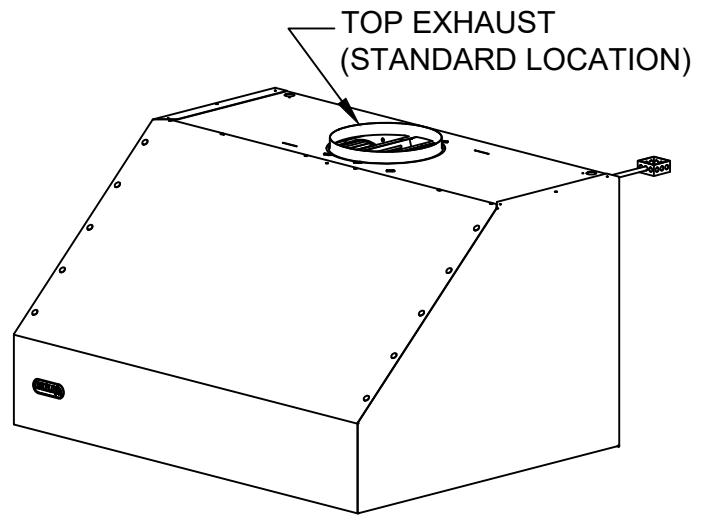




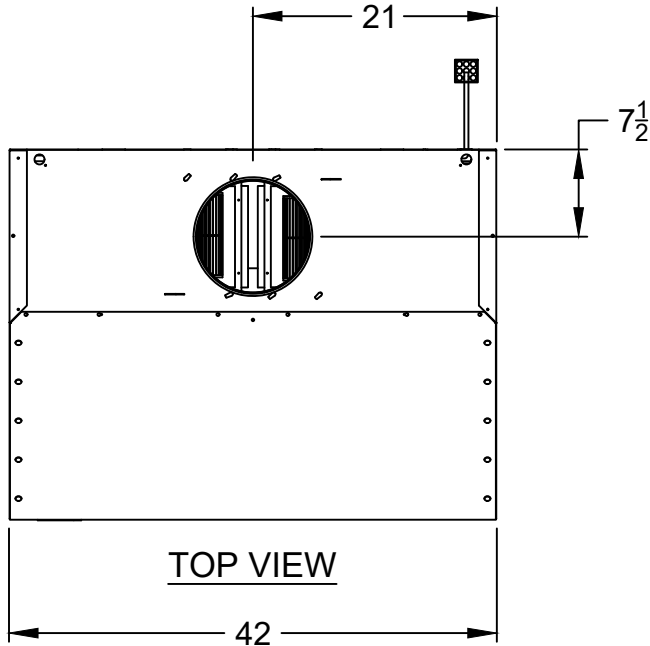
WWW.BULLBBQ.COM

**42 INCH DUAL MOTOR VENT HOOD**  
**SPEC SHEET**  
**ITEM# 66300**

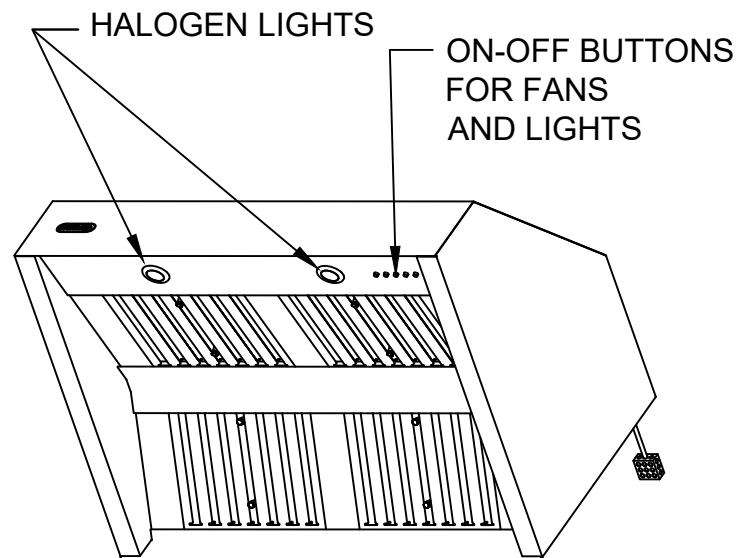


TOP EXHAUST  
(STANDARD LOCATION)

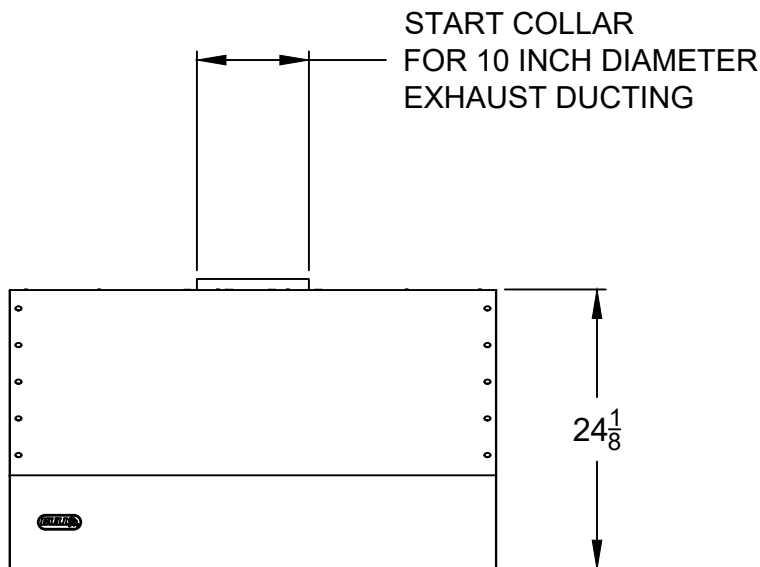
TOP PERSPECTIVE VIEW



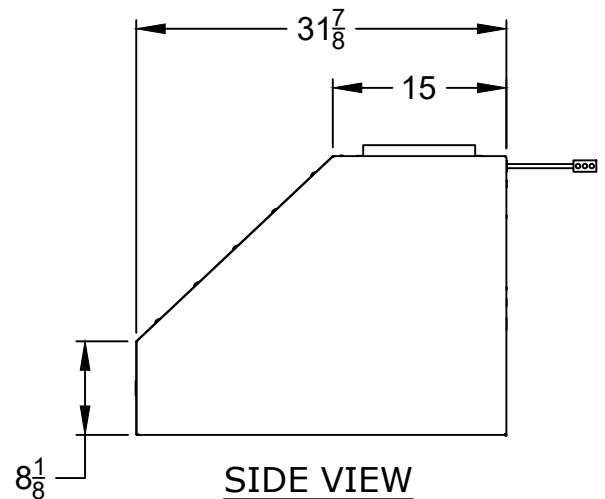
TOP VIEW



BOTTOM PERSPECTIVE VIEW



FRONT VIEW



SIDE VIEW

**NOTES:**

- 1) ALL DIMENSIONS ARE IN INCH UNITS
- 2) REFER TO OWNER'S MANUAL FOR INSTALLATION AND OPERATION.