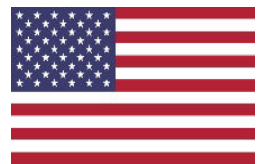
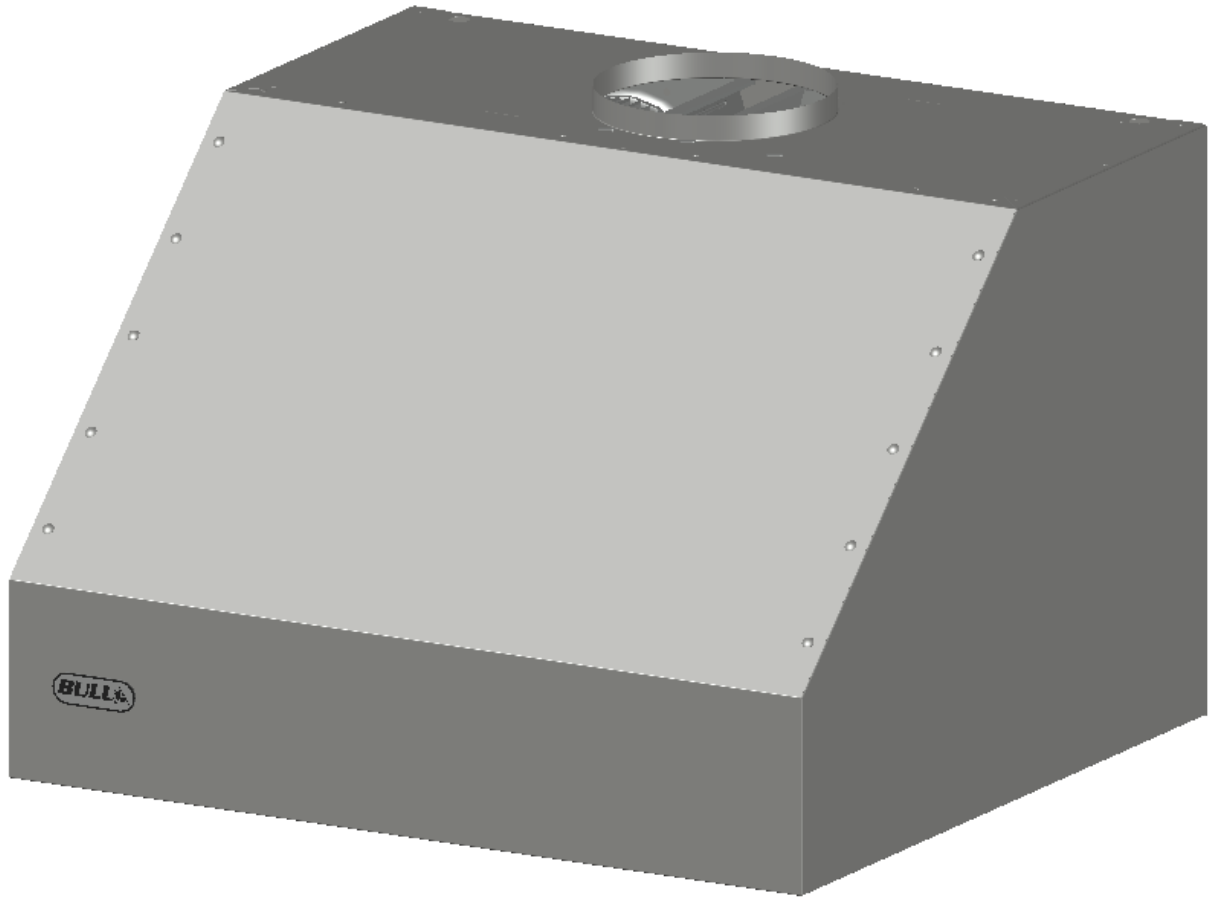




**OWNER'S MANUAL
42 INCH DUAL MOTOR VENT-HOOD
ITEM NO. 63000**



USA EDITION



TABLE OF CONTENTS	PAGE #2
<u>SAFETY INSTRUCTIONS</u>	3
<u>INSTALLATION INSTRUCTIONS</u>	4
<u>PLANNING THE INSTALLATION</u>	4-5
<u>ELECTRICAL CONNECTION</u>	6
<u>SECURING THE VENT HOOD</u>	7
<u>USE & CARE</u>	7
<u>HOW TO REGISTER YOUR VENT HOOD, SERIAL NUMBER LOCATION AND REPLACEMENT PART ORDERING</u>	8
<u>REPLACEMENT PARTS LIST AND REFERENCE DRAWING</u>	9
<u>TROUBLESHOOTING</u>	11
<u>WARRANTY POLICY</u>	12-14

DEFINITION OF SYMBOLS USED IN THIS MANUAL

PLEASE READ TO FAMILIARIZE YOURSELF WITH THE MEANING OF THE SYMBOLS USED IN THIS MAUNAU:



WARNING (These instructions must be followed carefully to avoid personal injury)



ELECTRICAL WARNING (These instructions must be followed carefully to reduce the risk of fire, electrical shock or injury)



IMPORTANT/CAUTION: (These instructions must be followed carefully to avoid damage or incorrect installation)



GREASE FIRE WARNING: (These instructions must be followed carefully to avoid grease fires)



TIPS: (Helpful information to facilitate installation)

We care about your safety: READ THIS ENTIRE MANUAL CAREFULLY AND RETAIN FOR FUTURE REFERENCE.

Before beginning installation, please thoroughly read, and become familiar with these instructions. Installation and service must be completed by a qualified installer. Failure to properly install this product will void your warranty. Please be advised that the Bull Outdoor Products BBQ Hood MAY NOT be installed on a Patio or Lanai area that does not have a roof over the Range Hood to protect it from direct rain or potential water damage. This Hood should be installed with a **MINIMUM** of three (3) feet of weather proof roof coverage on all sides that are not protected from direct rain by an adjacent wall.

It is required that all duct work and roof openings be thoroughly sealed with the applicable tape and/or roof sealant to prevent water leaks.

To Installer: Please leave Installation Instructions with the range hood liner.

To Owner: Please keep Installation Instructions for local electrical inspector's use and for future reference.



WARNING: THIS PRODUCT MAY EXPOSE YOU TO CHEMICALS INCLUDING LEAD WHICH IS KNOWN TO THE STATE OF CALIFORNIA TO CAUSE BIRTH DEFECTS OR OTHER REPRODUCTIVE HARM. FOR MORE INFORMATION VISIT: www.P65Warnings.ca.gov



! INSTALLATION

Before we start...Please READ AND SAVE THESE INSTRUCTIONS, and observe all stated safety guidelines in this manual

This section is divided into 3 categories

- Installation of vent hood.
- Install exhaust ducting from vent hood to the outside world.
- Install electrical supply to vent hood.



Note: Installation work, ventilation ducting, and electrical wiring must be done by qualified person(s) in accordance with all applicable codes and standards, including fire-rated construction codes and standards.



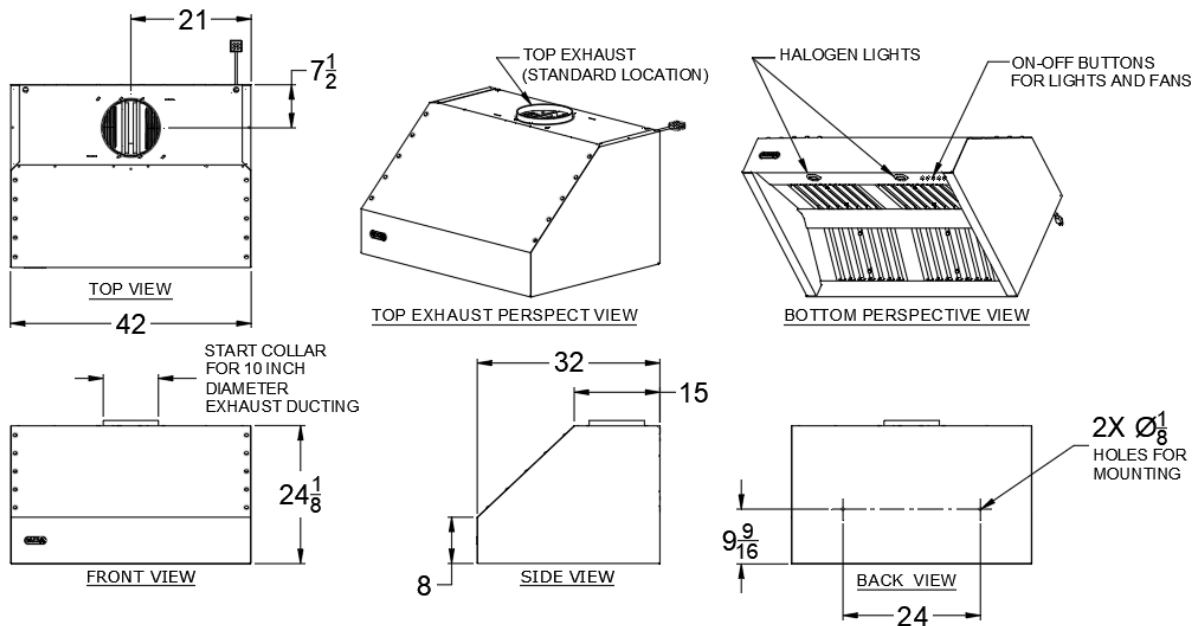
WARNING! - TO REDUCE THE RISK OF FIRE, ELECTRICAL SHOCK, OR INJURY TO PERSONS OBSERVE THE FOLLOWING:

Let's begin with...

LOCATION:

- 1) The cooking area under vent hood should avoid cross drafts-away from doors and windows.
- 2) It is preferred to have the Installation Contractor in accord with the location chosen.
- 3) Ensure Ventilation Contractor confirms location will allow accommodate overhead exhaust ducting needs.
- 4) Electrical Contractor confirms location is acceptable.

REFERENCE VENT HOOD DIMENSIONS



INSTALLATION INSTRUCTIONS:



****NOTE: DRILLING THROUGH STAINLESS STEEL REQUIRES TITANIUM DRILL BITS. BE CAREFUL NOT TO DRILL THROUGH THE UL LABEL OR INTO THE HOOD'S ELECTRICAL COMPONENTS**

- 1) Plan the installation so that all minimum clearances are met or exceeded. The dimensions shown provide minimum clearances, unless otherwise specified.
- 2) Vent Hood is for wall mounting only. For safe and secure wall mounting, the vent hood should be mounted to a solid vertical surface of sufficient width to allow for mounting of the Hood.
- 3) The horizontal surface should extend from a vertical plane to the point directly in front of the exhaust roof (or wall cap).
- 4) The Hood should be installed with a MINIMUM of three (3) feet of weather proof roof coverage on all sides that are not protected from direct rain by an adjacent wall.
- 5) When cutting or drilling into a wall or ceiling, do not damage electrical wiring and other hidden utilities.

CONTINUE ON TO ON NEXT PAGE



EXHAUST DUCTING:



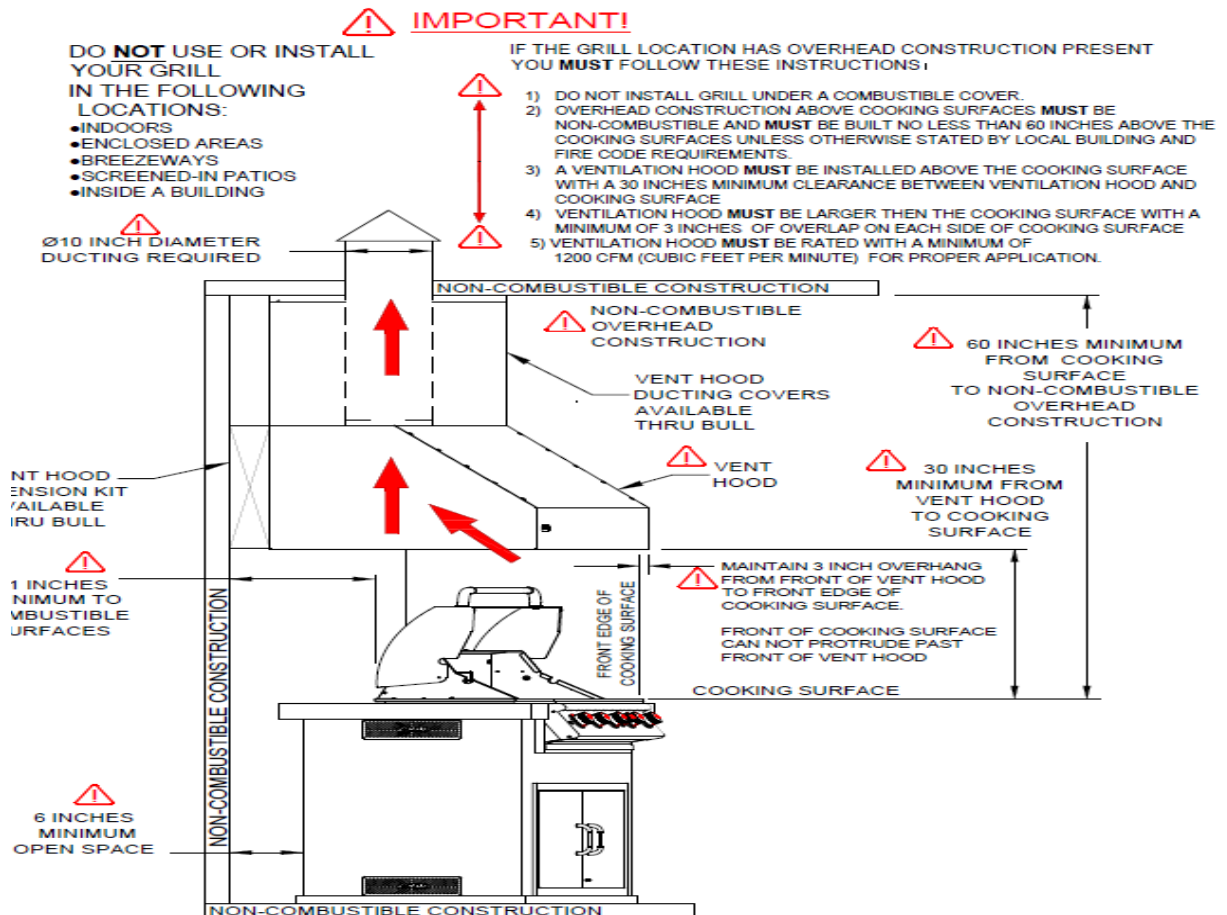
WARNING! - TO REDUCE THE RISK OF FIRE, USE ONLY METAL DUCTWORK. ONLY USE DUCTWORK CONSTRUCTED OF MATERIALS DEEMED ACCEPTABLE BY STATE, MUNICIPAL AND LOCAL CODES.



- 1) For general ventilation use only. Do not exhaust hazardous or explosive materials.
- 2) Sufficient air is needed for proper combustion and exhaustion of gases through the flu (chimney) of fuel burning equipment to prevent back drafting.
- 3) Follow the heating equipment manufacturer's guidelines and safety standards such as those published by the National Fire Protection Association (NFPA) and the American Society for Heating, Refrigeration and Air Conditioning Engineers (ASHRAE) and the local code authorities.
- 4) Vent Hood exhaust ducting must not be shared with other equipment. The routing should direct and preferably straight to the outside world.
- 5) Ducts must be of adequate size and duct runs should be as short as possible.
- 6) Where turns are necessary, keep the turning radius as large and as smooth as possible.
- 7) It is also required that all duct work and roof openings be thoroughly sealed with the applicable tape and/or roof sealant to prevent ingress of water.
- 8) To reduce the risk of fire and to properly exhaust air, be sure to route duct air outside - Do not vent exhaust air into spaces within walls or ceilings or into attics, crawl spaces, or garages. This can create a potential hazard.
- 9) The ducting must be air tight. Use a minimum of 2 sheet metal screws at every duct joint. Then, seal the duct joints with high quality duct tape.



REFERENCE VENT HOOD INSTALL DIMENSIONAL GUIDELINES



CONTINUE ON TO ELECTRICAL INSTALLATION ON NEXT PAGE



ELECTRICAL CONNECTION:

READ AND SAVE THESE INSTRUCTIONS to ensure proper installation.

It is the owner's responsibility to ensure that a qualified person performs the electrical connection of this appliance. The electrical installation must comply with the National Electric Code ANSI/NFPA 70 (Latest revision) and local codes and ordinances.



Important Electrical Requirements:

Observe all National and local governing codes and ordinances. Have all electrical installation done by a qualified electrical installer. This Hood requires a 120 Volt, 60 Hertz electrical supply of an individual properly grounded branch circuit protected by a 15- or 20-Amp circuit breaker.



Vent Hood is supplied with a 6.0 Amp three speed fan control.

WARNING!

1) Ensure that the power supply is disconnected before proceeding.

2) Verify that the power supply matches the ratings found on the appliance data label before proceeding.



WARNING! GROUNDING INSTRUCTIONS: To reduce the risk of electrical shock:

1) Vent Hood must always be properly grounded when electrical power is applied.

2) Vent Hood is equipped with a dedicated electrical grounding wire that must be properly installed to reduce the risk of electrical shock in the event of an electrical short circuit.

3) Do not ground the appliance with the neutral (white) house supply wire. A separate ground wire must be utilized.



4) Failure to complete electrical connections properly may result in damaged or non-functional systems.

WARNING – Improper grounding can result in a risk of electric shock. Consult a qualified electrician if the grounding instructions are not completely understood, or if doubt exists as to whether the appliance is properly grounded.



WARNING – Do not use an extension cord. If the power supply cord is too short, have a qualified electrician install an outlet near the appliance."

For safety precautions, install Vent Hood in a GFCI protected branch circuit.

Refer to Wiring Instructions below:

Wire connections: (See Diagram Below)

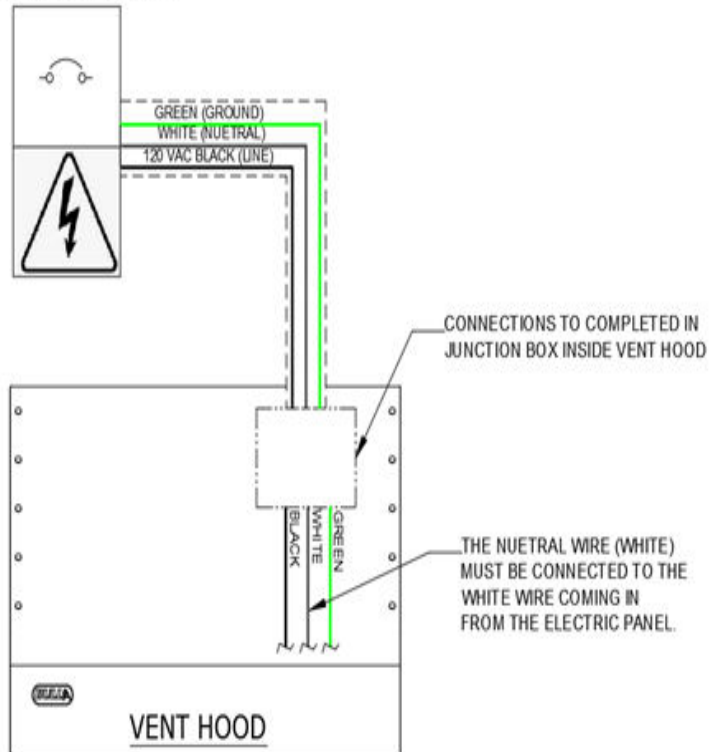
There are 3 wires on the front panel that require connection.

WIRE COLOR	DESCRIPTION
BLACK	120 Volts AC FROM ELECTRICAL PANEL
WHITE	NEUTRAL FROM ELECTRICAL PANEL
GREEN	GROUND



CAUTION: The neutral wire (white) must only be connected to the white neutral wire coming in from the electrical

HOUSE ELECTRICAL PANEL
GFCI CIRCUIT BREAKER





OPERATIONAL SAFETY:



READ AND SAVE THESE INSTRUCTIONS

Use this unit only in the manner intended by the manufacturer. If you have any questions, please contact your authorized Bull dealer or Bull Customer Service at **Customer Service at (800) 521-2855**



CAUTION: For general ventilation use only. Do not use Vent Hood to exhaust hazardous or explosive materials and vapors.



WARNING! Do **NOT** operate the blower/ ventilator system without the air inlet guards in place, or with dirty, grease laden air inlet guards.



WARNING- TO REDUCE THE RISK OF RANGE TOP GREASE FIRE:

- 1) Never leave surface units unattended at high settings. Boil overs cause smoking and greasy spillovers that may ignite. Heat cooking oil slowly on low or medium settings.
- 2) Always turn the vent hood ON when Grill is in use. cooking at high heat or when flambéing food
- 3) Clean ventilating fans frequently. Grease should not be allowed to accumulate on air inlet guards or fan(s).
- 4) Use proper pan size. Always use cookware appropriate for the size of the surface element.



WARNING! - TO REDUCE THE RISK OF INJURY TO PERSONS IN THE EVENT OF RANGE TOP GREASE FIRE, OBSERVE THE FOLLOWING:

- 1) SMOTHER FLAMES with a close-fitting lid, cookie sheet, or metal tray, then turn off the burner.
- 2) BE CAREFUL TO PREVENT BURNS. If the flames do not go out immediately, EVACUATE AND CALL THE FIRE DEPARTMENT.
- 3) NEVER PICK UP A FLAMING PAN-YOU MAY BE BURNED.
- 4) DO NOT USE WATER, including wet dishcloths or towels - a violent steam explosion will result.
- 5) Use a fire extinguisher ONLY if:
 - 5A You know you have a Class ABC extinguisher, and you already know how to operate it.
 - 5B The fire is small and contained in the area where it started.
 - 5C The fire department is being called.
 - 5D You can fight the fire with your back to an exit.
- 6) Follow the barbeque grill manufacturer's instruction when using gas grills, cookers, or any propane appliances.
- 7) BE CAREFUL TO PREVENT BURNS. If the flames do not go out immediately EVACUATE AND CALL THE FIRE DEPARTMENT.



WARNING! Do **NOT** operate the blower/ ventilator system without the air inlet guards in place, or with dirty, grease laden air inlet guards.



RECOMMENDATIONS:

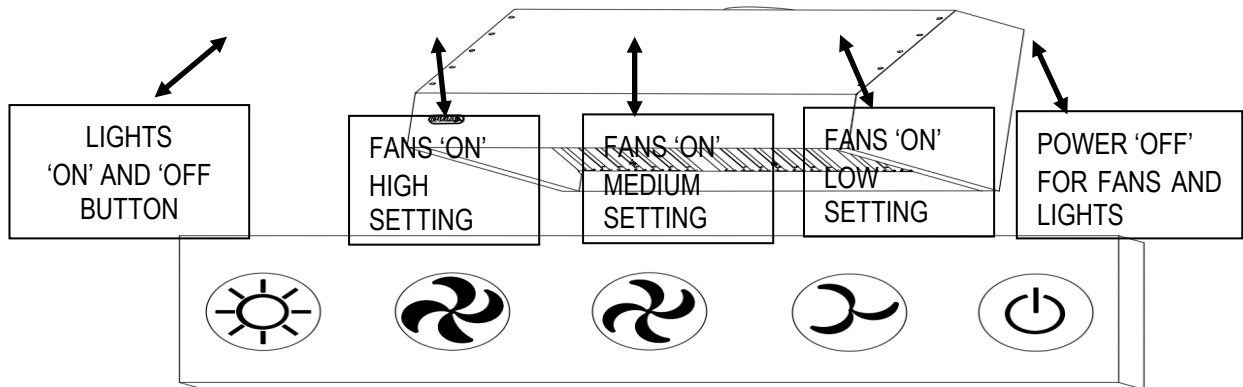
- 1) Consult a licensed ventilation contractor or qualified technician for proper installation of exhaust ducting. Locate the cooking area for minimum cross drafts-away from doors and windows, when possible.
- 2) Ducts must be of adequate size and duct runs should be as short as possible. Where turns are necessary, keep turning radius as large and as smooth as possible.
- 3) The ducting must be air tight. Use a minimum of 2 sheet metal screws at every duct joint. Then, seal the duct joints with high quality duct tape.
- 4) Do not use this unit with any solid-state speed control device.



5) This unit must be grounded.



OPERATING CONTROLS: There is a set of buttons on the right side of the Vent Hood per detail below.



CONTROL BUTTON FUNCTIONS:

- 1) Pressing the Power 'OFF', the lights and fans will keep working for 3 minutes and then shut off.
- 2) The Lights 'ON and OFF' button is only for the lights.
- 3) Both Fans run at the same time, to turn them 'ON' press the desired speed setting. Pressing another speed setting changes both fans. To turn the fans 'OFF' press the power off button.

OPERATING GUIDELINES:

Note:

- 1) Always use your Vent Hood when using your Grill or other cooking equipment.
- 2) Turn the Vent Hood fan on a few minutes before you begin cooking to begin the air flow pattern. Turn on the Vent Hood lights if needed.
- 3) Adjust the fan speed as needed while grilling.
- 4) Let the Vent Hood fan run a few minutes after you're done cooking to remove the remaining smoke and cooking odors.



ENERGY SAVING TIPS: Do not operate the blower at a speed higher than necessary to remove the cooking exhaust. Turn off the unit once the smoke and cooking odors have been eliminated. Clean filters and grease laden surfaces often improve efficiency.



CARE AND CLEANING: READ AND SAVE THESE INSTRUCTIONS



WARNING, BEFORE YOU BEGIN

TO REDUCE THE RISK OF FIRE, ELECTRIC SHOCK, OR INJURY TO PERSONS, OBSERVE THE FOLLOWING:

- 1) Use this unit only in the manner intended by the manufacturer. If you have questions, contact the manufacturer.
- 2) Before servicing or cleaning the unit, switch power off at service panel and lock the service disconnecting means to prevent power from being switched on accidentally. When the service disconnecting means cannot be locked, securely fasten a prominent warning device, such as a tag, to the service panel. This is commonly referred to as 'Lock Out-Tag Out'
- 3) Allow the grill or other equipment to cool off enough to touch with your fingers and close the lid on the grill.

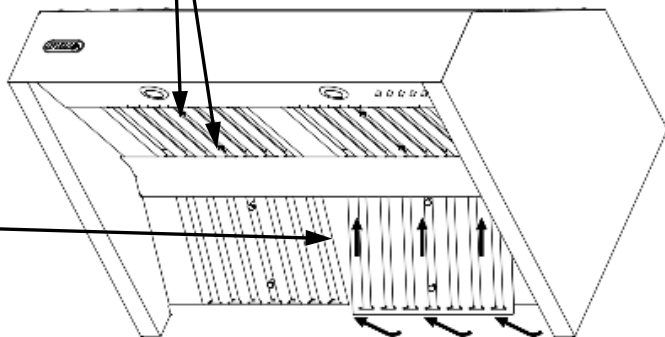
The 3 primary areas for cleaning are Air-Inlet Guard Panels followed by the Control Panel and Vent Hood steel exterior. Proper cleaning is necessary to ensure safe operation. The amount of cooking, ideally you should clean as soon as possible. Air inlet guards should also be cleaned.

REMOVING THE AIR INLET GUARDS:

Step 1: Grasp both knobs and lift the guard off the ledge until you see the guard clear the ledge.

Step 2: Rotate the guard until it is outside of the opening per arrows shown.

Step 3: Lower the rest of the guard out of the opening to complete removal.



Follow the instructions shown below. Your vent hood has 6 air inlet guards, each has cleared the ledge

Follow these same steps in reverse to install after cleaning.

CLEANING TIPS



! For all 3 areas, cleaning should be done by hand washing with a cleaning pad or scrubber intended for polished stainless steel, otherwise you may scratch the hood. It is suggested that you use a cleaning solution consisting of hot water and a mild detergent solution.

! **CAUTION:** If a commercially available stainless-steel cleaner is used. Check the cleanser's ingredients to make sure it is chlorine free. Chlorine is a corrosive substance that will damage your vent hood.

Rinse and dry with soft lint-free cloth. **Never wipe across the grain.** After cleaning, carefully reinstall the Air Inlet Guard

PRODUCT WARRANTY AND REGISTRATION

THANK YOU FOR CHOOSING BULL OUTDOOR PRODUCTS. TO ENABLE OUR COMMITMENT TO YOUR SATISFACTION, YOU WILL NEED TO REGISTER YOUR PURCHASE FOR IT TO BE COVERED UNDER BULL'S WARRANTY POLICY. PLEASE SAVE YOUR PURCHASE RECEIPT AS IT IS REQUIRED FOR WARRANTY CLAIMS. ADDITIONALLY, REGISTERING YOUR PURCHASE WILL ALLOW YOUR BULL AUTHORIZED DEALER TO UTILIZE THE ENCODED INFORMATION FOR THE PURPOSE OF ORDERING REPLACEMENT PARTS OR ADDITIONAL ACCESSORIES TO ENSURE YOUR PURCHASE REMAINS IN OPTIMAL WORKING CONDITION. TO VALIDATE YOUR WARRANTY, WE OFFER TWO OPTIONS AS SHOWN BELOW:

OPTION 1 / REGISTERING ONLINE

REGISTRATION CAN BE COMPLETED ON THE BULL CUSTOMER SERVICE PORTAL, FOUND AT <https://api.bullbbq.com/c/>

OPTION 2 / REGISTERING BY MAIL

COMPLETE THE PRODUCT WARRANTY REGISTRATION CARD THAT WILL BE IN THE SHIPPING BOX (SEE REFERENCE) →

SEND TO: BULL OUTDOOR PRODUCTS, INC.
15 EAST AVE. ATHENS, TN 37303
ATTN: WARRANTY SERVICE CENTER

UNPACKING THE SHIPPING BOX

GO TO <https://bullbbq.com/bull-support-videos/> WHERE WE SHOW YOU HOW TO UNBOX, INSTALL COMPONENTS, AND MORE.

AFTER OPENING THE SHIPPING BOX, INSPECT THE CONTENTS FOR ANY DAMAGE AND CONTACT OUR SERVICE CENTER OR LOCAL DEALER FOR THE REPLACEMENT OF ANY DAMAGED PARTS. IF DAMAGED DO NOT ATTEMPT INSTALLATION.

ORDERING REPLACEMENT PARTS

PLEASE REFER TO YOUR OWNER'S MANUAL PARTS LIST AND ILLUSTRATION TO IDENTIFY WHAT YOU NEED.

BELOW ARE OPTIONS FOR ORDERING, IF YOU HAVE NOT YET REGISTERED YOUR PURCHASE, PLEASE REGISTER ON OUR WEBSITE AS SOON AS POSSIBLE AS THIS INFORMATION IS ESSENTIAL FOR ORDERING REPLACEMENTS.

TO ORDER REPLACEMENT PARTS ONLINE GO TO:

<https://bullbbq.com/buy-parts>

CAUTION:

CONCERNING THE CONVERSION OF GAS FIRED PRODUCTS FROM LIQUID PROPANE TO NATURAL GAS OR VICE VERSA. THE GAS VALVE IS

Warranty Questions call Customer Service at (800) 521-2855

Bull Outdoor Products Warranty Registration Card 

Name _____ Date of Purchase _____

Place of Purchase _____

Email Address _____ Phone _____

Street Address _____ Apt # _____

City _____ State _____ Zip Code _____

How To Register
On Our Website: <https://api.bullbbq.com/c/>
Via Mail: Fill out this form and mail it to us!

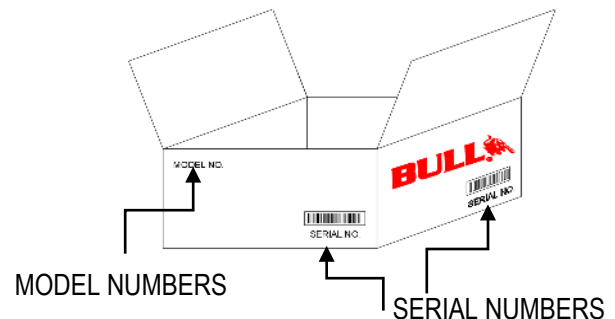
Model Name: _____

Model Number: _____

Serial Number: _____

Scan This Code With Your Phone: 

SHIPPING BOX



TO ORDER REPLACEMENT PARTS BY PHONE

WE HAVE TWO AUTHORIZED PARTS DISTRIBUTORS READY TO ASSIST YOU





FACTORY PRE-SET SPECIFICALLY FOR THE TYPE OF GAS FOR WHICH THE PRODUCT WAS DESIGNED. A DIFFERENT OR SPECIFIC GAS VALVE MUST BE INSTALLED WHEN CONVERTING FROM ONE GAS TYPE TO ANOTHER. BEFORE BEGINNING THIS PROCESS, IT IS IMPERATIVE TO CONSULT WITH YOUR GAS SUPPLIER OR YOUR BULL DEALER. PLEASE BE ADVISED THAT CONVERSION KITS ARE EXCLUSIVELY SOLD TO PROFESSIONALS AUTHORIZED TO PERFORM CONVERSION SERVICES. INADEQUATE CONVERSION OF THE UNIT MAY RESULT IN SEVERE INJURY TO YOURSELF AND/OR OTHERS, CAUSE IRREPARABLE PRODUCT DAMAGE AND VOID THE WARRANTY.

WARNING: USE OF ANY PART THAT IS NOT FACTORY AUTHORIZED WILL VOID YOUR WARRANTY AND MAY BE DANGEROUS.



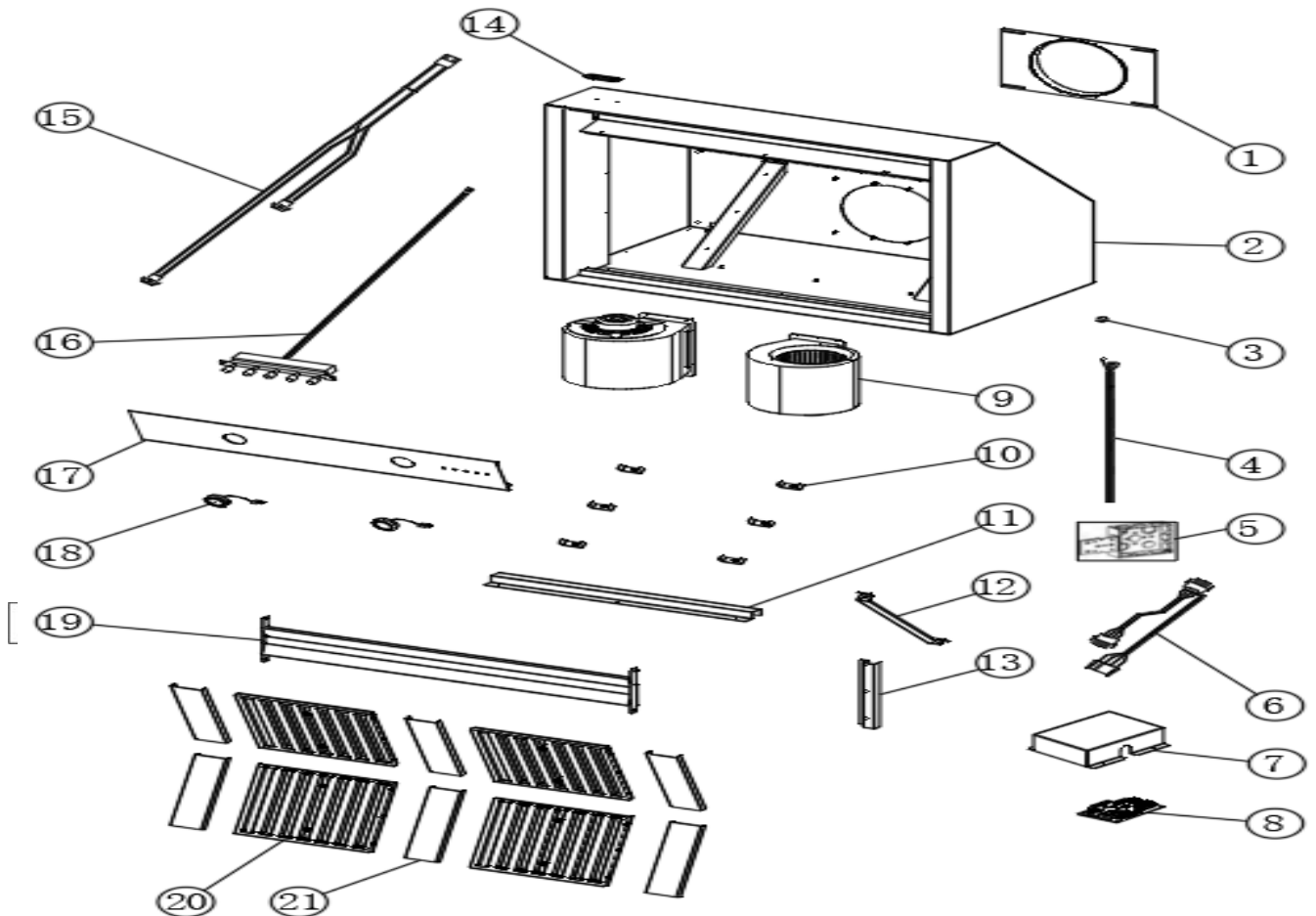
SKU# 66300 / 42 INCH VENT HOOD REPLACEMENT PARTS LIST				
REF NO. ON DWG	SKU#	DESCRIPTION	QTY	WARRANTY PERIOD (YEARS)
1	??	AIR OUTLET WELD ASSY	1	1?
2	??	AIR OUTLET WELD ASSY	1	
3	66302	CONDUIT WIRE SLEEVE	1	
4	66303	POWER CORD	1	
5	??	CABLE BOX	1	
6	66304	AIR BLOWER CONDUIT WIRE	1	
7	66305	CONNECT WIRE BOX COVER PLATE	1	
8	66306	CIRCUIT BOARD	1	
9	66308	AIR BLOWER	2	
10	66310	AIR BLOWER CONDUIT WIRE GROOVE 1	6	
11	66309	AIR BLOWER CONDUIT WIRE GROOVE 42 INCH	1	
12	66311	LED LIGHT CONDUIT WIRE GROOVE 1	1	
13	66312	LED LIGHT CONDUIT WIRE GROOVE 2	1	
14	16610	LOGO PLATE, LARGE BLACK VERSION WITH POSTS	1	
15	66314	LIGHT CONDUIT WIRE	1	
16	66315	VENT HOOD SWITCH & CONDUIT WIRE	1	
17	66316	CONTROL PANEL, 42 INCH	1	
18	66318	LED LIGHT	2	
19	66319	MID BRACKET ASSY, 42 INCH	1	
20	66321	AIR INLET BOARD ASSY	4	
21	66322	WIND GUARD	6	1?



WARNING: Use of any part that is not factory authorized will void your warranty and may be dangerous.

66300 42 INCH VENT HOOD

REFERENCE DRAWING FOR PARTS LIST



TROUBLESHOOTING:

Below is some helpful information in case there's a problem. If troubleshooting isn't for you, call your Bull dealer or go to <https://bullbbq.com/dealer-map/> to find the closest service center near you.





WARNING! Ensure that the power supply is disconnected before proceeding.

TROUBLESHOOTING GUIDELINES		
ISSUE	POTENTIAL REASONS	POTENTIAL SOLUTIONS
Vent Hood won't turn on	No electricity being supplied due to tripped circuit breakers at Service Panel	Check circuit breakers at Service Panel. If damaged, replace or call electrician to do it.
Vent Hood only has one fan motor running or only one light that turns on.	Faulty power connection	Call Bull Service Center or electrician to assess and repair.
Vent Hood fan motors are noisy	Fan motors are loose	
Vent Hood fans are running slow	Faulty power connection or fan motor issue	Call Bull Service Center for referral to cleaning to inspect and clean as needed.
	Air inlet guards or vent hood ducting is too full of grease or debris	
Vent Hood Control Panel Button is stuck	A piece of debris is prevented the button from moving	

Warranty Policy

(VENT HOODS NOT MENTIONED ON EXISTING POLICY)

LIMITED WARRANTY ON BULL OUTDOOR PRODUCTS, INC., PRODUCTS

THIS LIMITED WARRANTY GIVES YOU SPECIFIC LEGAL RIGHTS. YOU MAY ALSO HAVE OTHER RIGHTS, WHICH VARY FROM STATE TO STATE.

THIS LIMITED WARRANTY CAN ALSO BE FOUND ON OUR WEB SITE AT:

<https://www.bullbbq.com/support-warranty> (United States Customers)

<https://www.bullbbq.eu/en/warrantyform.htm> (International Customers)

AND IN THE OWNER'S/INSTALLATION MANUAL THAT WE PROVIDE WITH OUR PRODUCT.

THIS LIMITED WARRANTY IS SUBJECT TO THE EXCLUSIONS, CONDITIONS AND LIMITATIONS SET FORTH BELOW.

ANY IMPLIED WARRANTIES IMPOSED BY LAW, INCLUDING WITHOUT LIMITATION THE IMPLIED WARRANTIES OF MRECHANTABILITY AND FITNESS FOR A PARTICULAR PURPOSE, ARE LIMITED IN DURATION TO THE DURATION OF THIS EXPRESS LIMITED WARRANTY. SOME STATES DO NOT ALLOW LIMITATIONS ON HOW LONG AN IMPLIED WARRANTY LASTS, SO THE ABOVE LIMITATION MAY NOT APPLY TO YOU.

WHO MAY USE THIS WARRANTY?

BULL OUTDOOR PRODUCTS, INC. located at address 1011 East Pine St. Lodi, CA. 95240

("we") extend this limited warranty only to the consumer who originally purchased the product ("you") at the original site of delivery or installation. It does not extend to any subsequent owner or other transferee of the product. It does not apply to products installed in any rental, commercial or non-residential application. Examples of excluded applications include, but are not limited to day care centers, schools, bed and breakfast centers, churches, private clubs, fire stations, club houses, common



areas in multi-family dwellings, restaurants, hotels, nursing homes, food service locations and institutional food service locations.

WHAT DOES THIS WARRANTY COVER?

This limited warranty covers defects in materials and workmanship of the product and product components identified below for the Warranty Periods defined below.

WHAT IS THE PERIOD OF COVERAGE?

This limited warranty starts on the date of your purchase and lasts for the time period or time periods specified above (the "**Warranty Period**"). The Warranty Period is not extended if we repair or replace the product. We may change the availability of this limited warranty at our discretion, but any changes will not be retroactive.

Warranty Policy (Continued) (TAKEN FROM CURENT VENT HOOD POLICY)

What is Covered

Bull Outdoor Products[®] Inc., warrants its Barbecue Hood ventilation products to the original user, to be free of defects in materials and workmanship for one (1) year from the date of purchase.

Bull Outdoor Products[®] Inc., at its option, will repair or replace the complete unit or any defective component without charge. This warranty may be voided if any unauthorized service, alterations or repairs are made to the product.

What is Not Covered

- Normal maintenance and service of any product that has been subject to misuse, negligence, accident or installation inconsistent with the recommended installation instructions.
- Product used other than for normal in-home use or products used outside of the United States.
- Damage to the product caused by accident, fire, flood or other acts of God.
- Service calls to educate the customer in the proper use and care of the product, correct faulty installation, change fuses or reset breakers.

Bull Outdoor Products[®] Inc., disclaims and excludes any liability for implied warranties or for incidental or consequential damages wherever permitted by law. There are no implied warranties of merchantability or fitness for a particular use or purpose. This warranty gives you specific legal rights and you may also have other rights, which vary from state to state.

For Service

If you need service, contact Customer Service at the address or phone number below. Provide the model number, part identification and details of the problem. Proof of purchase must be provided.

Warranty Revised 07/14/2007

Bull Outdoor Products[®] Inc., has a policy of continuous improvements and reserves the right to modify (at any time and without notice) any or all of its products, features, designs, components and specifications. Some features may be slightly different than shown on product literature.



Warranty Policy (Continued)

WHAT DOES THIS WARRANTY NOT COVER?

This limited warranty does not cover any damage due to: (a) transportation; (b) storage; (c) improper installation or use; (d) use on improper fuel/gas supply; (e) failure to follow the product instructions or to perform any preventive maintenance; (f) modifications; (g) unauthorized repair; (h) normal wear and tear; or (i) external causes such as accidents, abuse, or other actions or events beyond our reasonable control.

WHAT ARE YOUR REMEDIES UNDER THIS WARRANTY?

With respect to any defective product claim made during the Warranty Period, we will, in our sole discretion, either: repair or replace such a product (or the defective part) free of charge or (b) refund the purchase price of such product. We will not pay for shipping charges for repaired or replacement parts, or for any labor or labor related charges. We will not pay for any accessory products or ancillary products purchased by you for use in connection with the product.

HOW DO YOU OBTAIN WARRANTY SERVICE?

To obtain warranty service, you must submit a warranty claim online through the Bullbq.com website during the Warranty Period. Warranty claims will not be accepted via email, fax or phone.

LIMITATION OF LIABILITY

THE REMEDIES DESCRIBED ABOVE ARE YOUR SOLE AND EXCLUSIVE REMEDIES AND OUR ENTIRE LIABILITY FOR ANY BREACH OF THIS LIMITED WARRANTY. OUR LIABILITY SHALL UNDER NO CIRCUMSTANCES EXCEED THE ACTUAL AMOUNT PAID BY YOU FOR THE DEFECTIVE PRODUCT, NOR SHALL WE UNDER ANY CIRCUMSTANCES BE LIABLE FOR ANY CONSEQUENTIAL, INCIDENTAL, SPECIAL OR PUNITIVE DAMAGES OR LOSSES, WHETHER DIRECT OR INDIRECT.

SOME STATES DO NOT ALLOW THE EXCLUSION OR LIMITATION OF INCIDENTAL OR CONSEQUENTIAL DAMAGES, SO THE ABOVE LIMITATION OR EXCLUSION MAY NOT APPLY TO YOU.

Revised 10-15-2020 AP