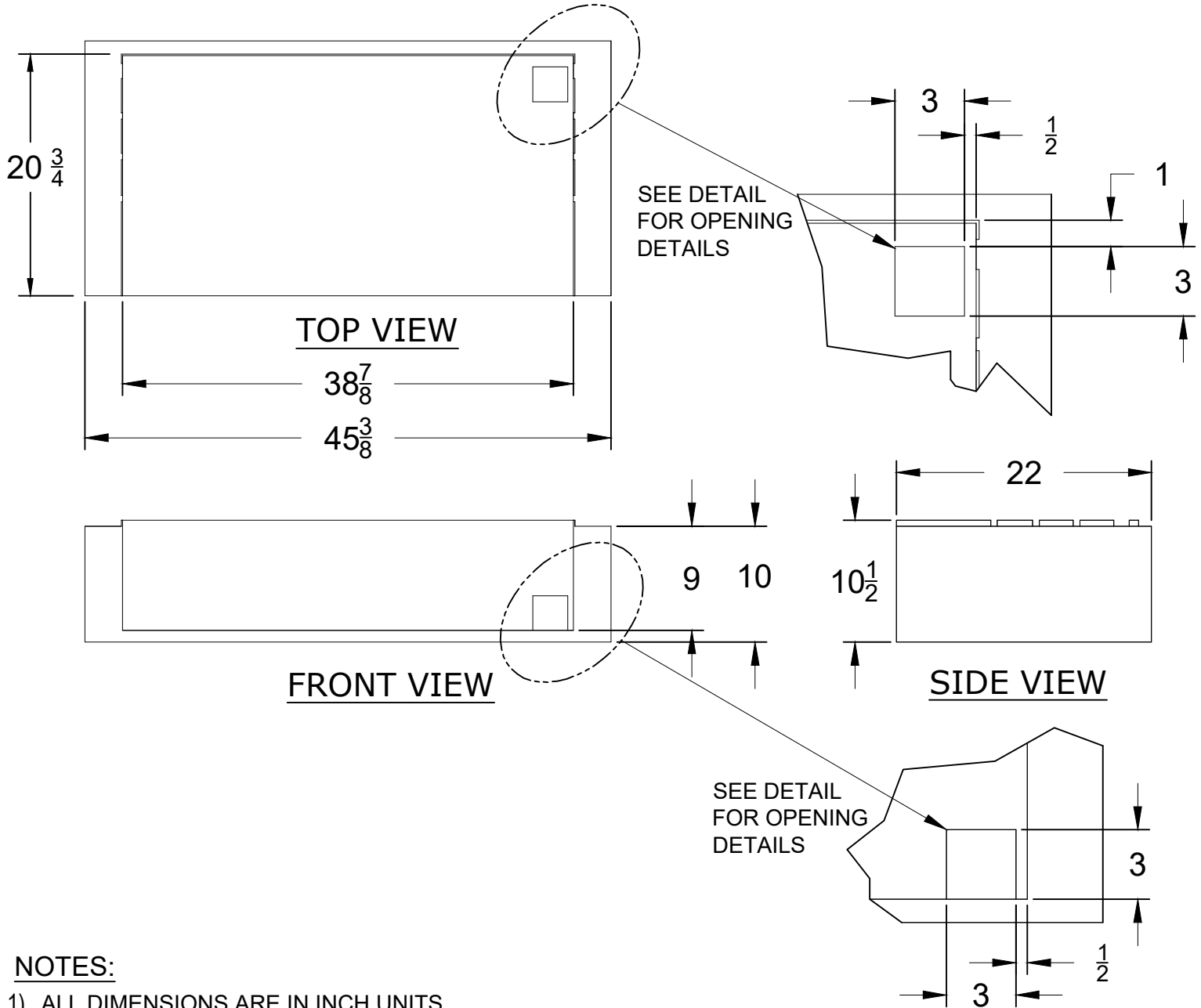
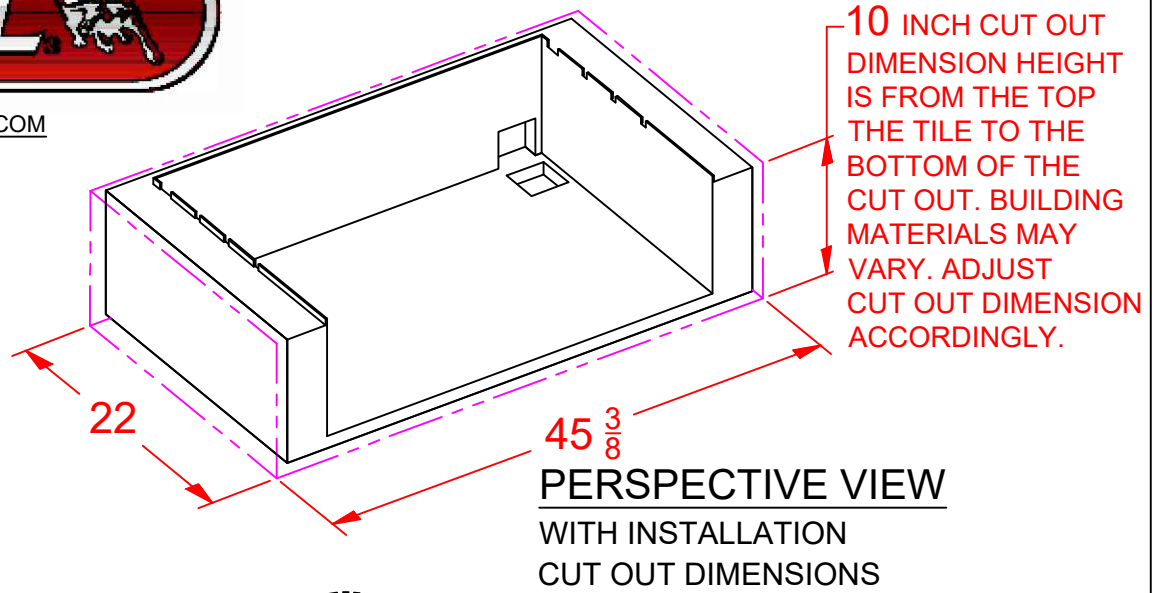




WWW.BULLBBQ.COM

**SPEC SHEET**  
**ITEM # 47018**  
**38 INCH**  
**GRILL INSULATION**  
**JACKET**



**NOTES:**

- 1) ALL DIMENSIONS ARE IN INCH UNITS
- 2) REFER TO PERSPECTIVE VIEW FOR INSTALLATION CUTOUT DIMENSIONS.

v.2022.11.22