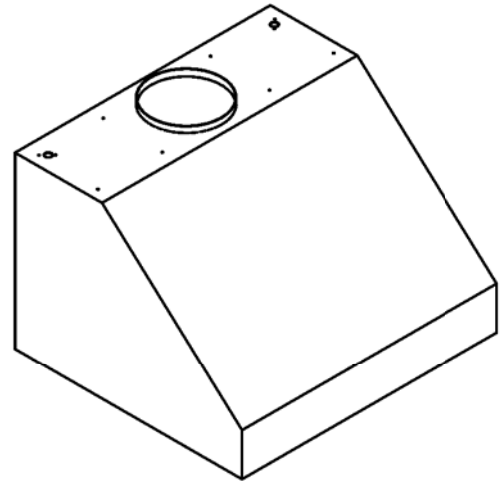




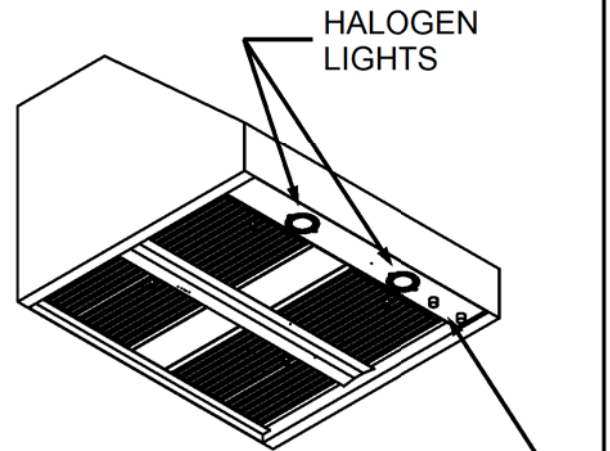
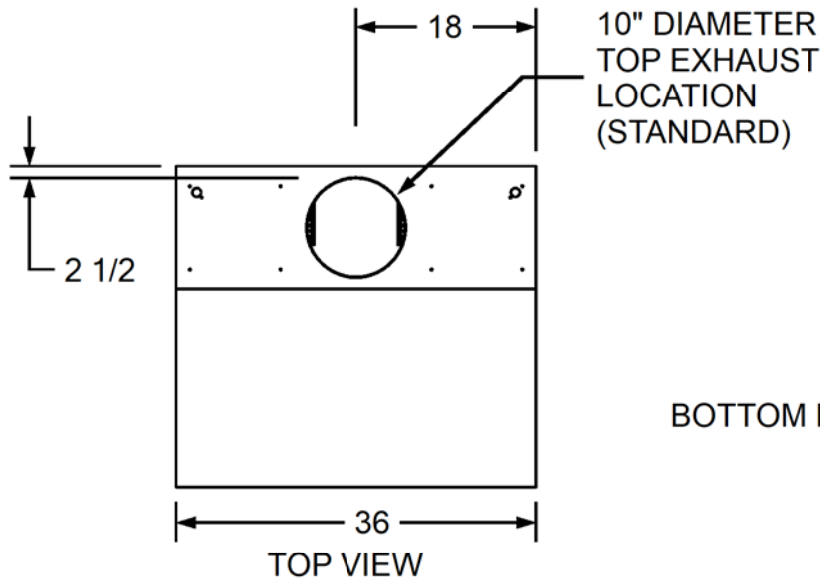
36" VENT HOOD

SPEC SHEET

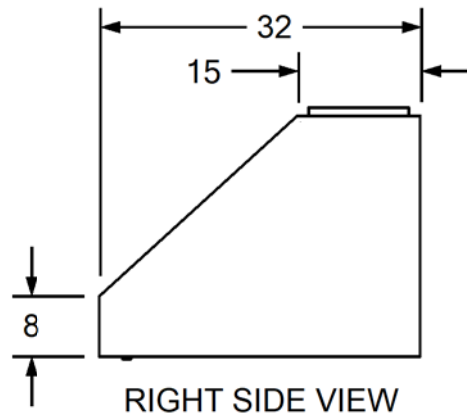
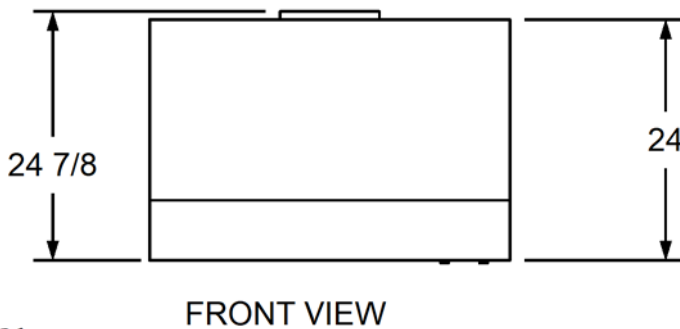
SKU #66009



TOP ISOMETRIC VIEW



BOTTOM ISOMETRIC VIEW



NOTES:

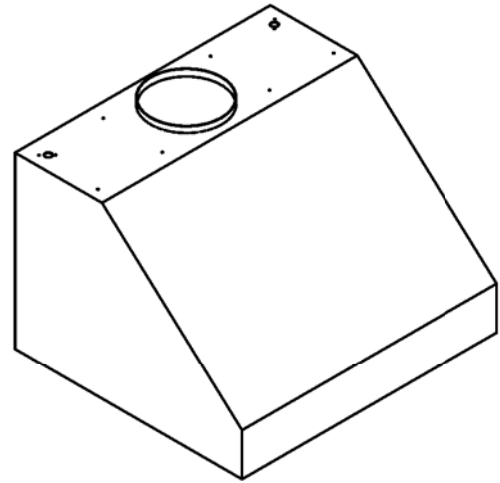
1. DIMENSIONS ARE INCHES
 2. HOOD AIR FLOW IS 1200 CFM
 3. REQUIRES 120 VOLT/60Hz, 20 AMP ELECTRIC SUPPLY
- DWG NO. 66009 VENT HOOD SPEC SHEET 07062018



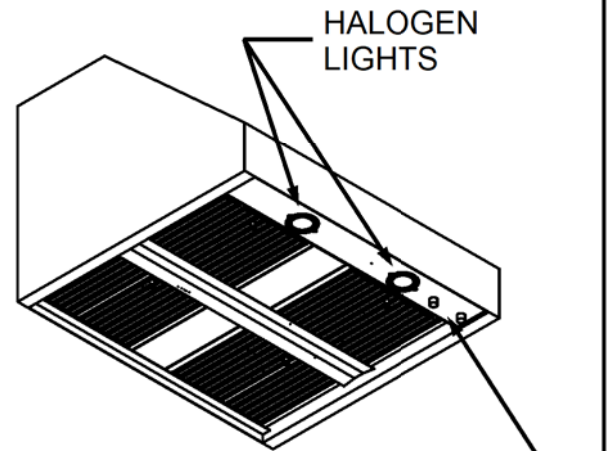
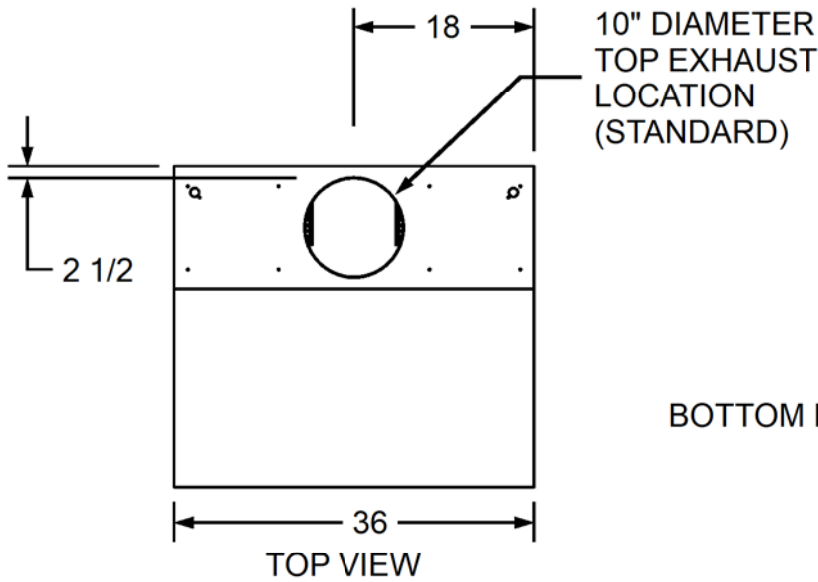
36" VENT HOOD

SPEC SHEET

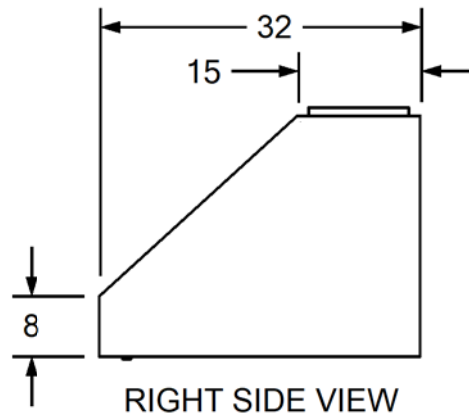
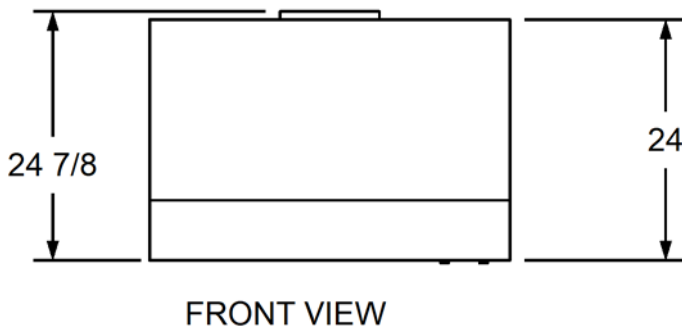
SKU #66009



TOP ISOMETRIC VIEW



BOTTOM ISOMETRIC VIEW



REVISION RECORD

DIMS

15 WAS 12 1/4

7 1/2 WAS 6 1/8