



WWW.BULLBBQ.COM

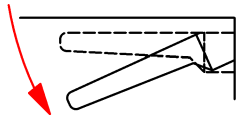
# DRAWER REVERSING INSTRUCTIONS REVERSIBLE DOOR/TRIPLE DRAWER COMBO WITH REVEAL

## STEP 1: REMOVE DRAWERS

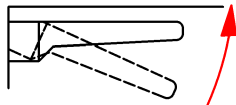
DRAWERS HAVE A LEFT AND RIGHT SIDE LEVER THAT RELEASES DRAWER FROM THE GUIDE RAIL



TO REMOVE DRAWERS PUSH THE LEFT SIDE LEVER 'DOWN' AND LIFT THE RIGHT SIDE LEVER 'UP' AT THE SAME TIME AND PULL THE DRAWER OUT UNTIL YOU FEEL IT RELEASE.

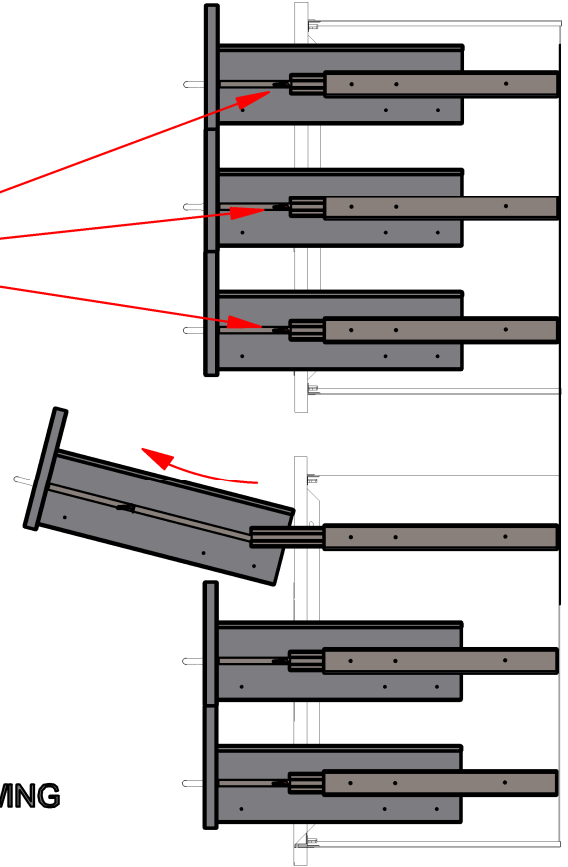


LEFT SIDE LEVER 'DOWN'

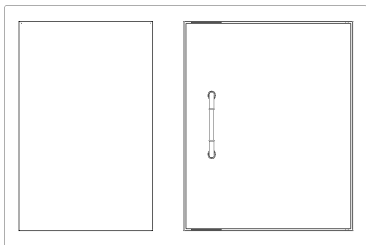


RIGHT SIDE LEVER 'UP'

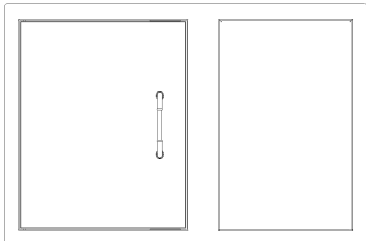
UPON RELEASE, LIFT THE FRONT OF THE DRAWER UP ALLOWING YOU TO PULL IT OUT OF THE GUIDE RAILS



## STEP 2: ROTATE



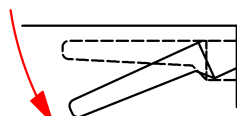
BEFORE ROTATING



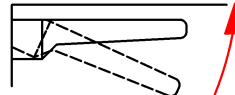
AFTER ROTATING

## STEP 3: RE-INSTALL DRAWERS

TO INSTALL DRAWERS PUSH THE LEFT SIDE LEVER 'DOWN' AND LIFT THE RIGHT SIDE LEVER 'UP' AT THE SAME TIME WHILE INSERTING DRAWER BACK INTO GUIDE RAIL.

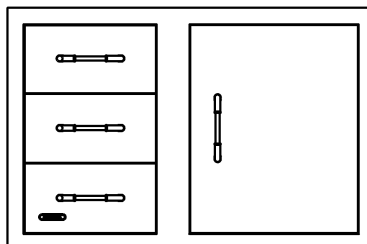
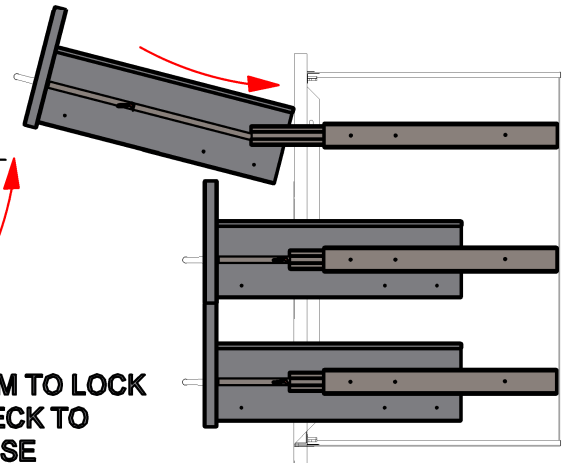


LEFT SIDE LEVER 'DOWN'

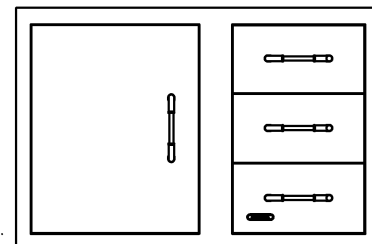


RIGHT SIDE LEVER 'UP'

RELEASE THE LEVERS ALLOWING THEM TO LOCK THE DRAWER TO THE GUIDE RAIL. CHECK TO MAKE SURE DRAWERS OPEN AND CLOSE PROPERLY BEFORE USE.



STANDARD ORIENTATION



REVERSED ORIENTATION