

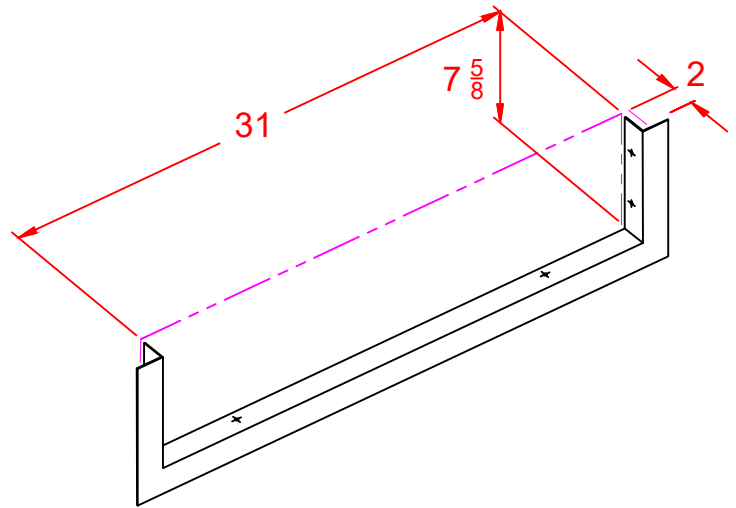
WWW.BULLBBQ.COM

# 30 INCH GRILL FINISHING FRAME

## SPEC SHEET

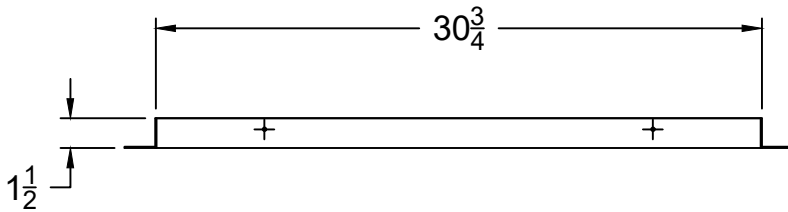
ITEM#

49328

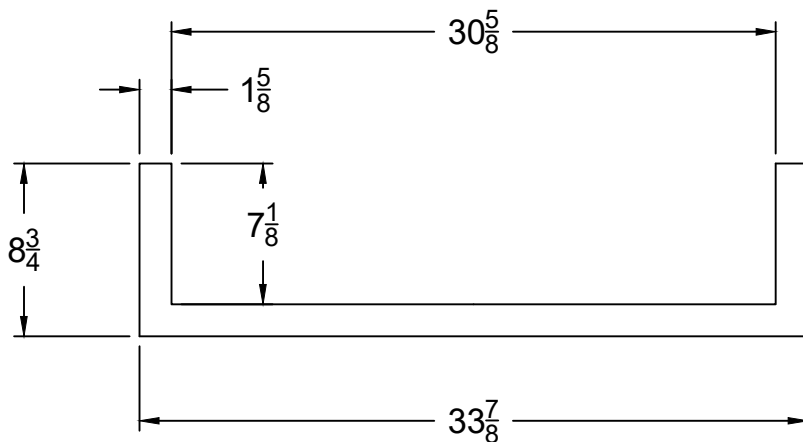


### PERSPECTIVE VIEW

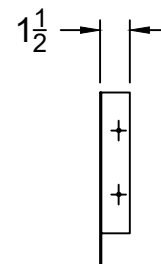
WITH INSTALLATION  
CUT OUT DIMENSIONS



### TOP VIEW



### FRONT VIEW



### SIDE VIEW

### NOTES:

- 1) ALL DIMENSIONS ARE IN INCH UNITS
- 2) REFER TO PERSPECTIVE VIEW FOR INSTALLATION CUTOUT DIMENSIONS.

v2024.05.24