



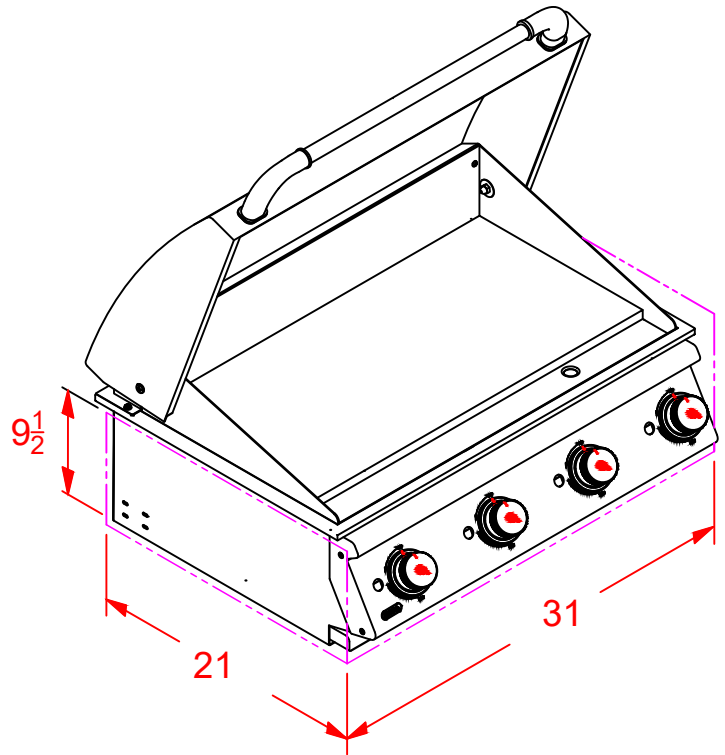
WWW.BULLBBQ.COM

# 30 INCH COMMERCIAL GRIDDLE

## SPEC SHEET

SKU 92008 LP

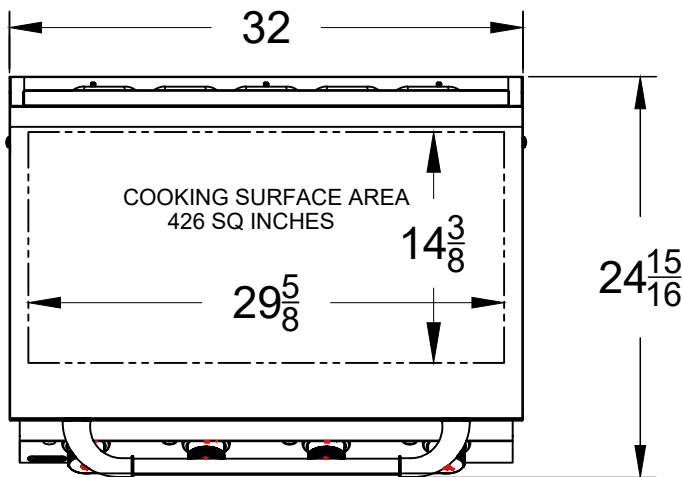
SKU 92009 NG



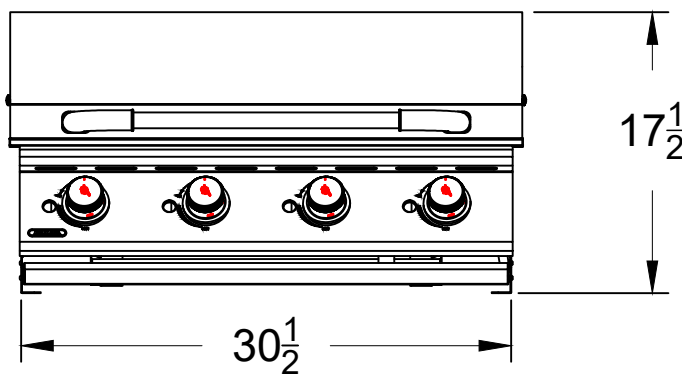
### PERSPECTIVE VIEW

WITH INSTALLATION  
CUT OUT DIMENSIONS

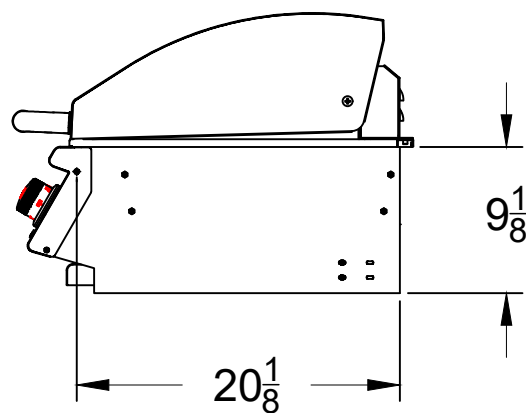
### TOP VIEW



### FRONT VIEW



### SIDE VIEW



### NOTES:

- 1) ALL DIMENSIONS ARE IN INCH UNITS
- 2) REFER TO PERSPECTIVE VIEW FOR INSTALLATION CUTOUT DIMENSIONS.
- 3) FINISHING FRAME CAN BE PURCHASED FROM BULL REFER TO ITEM# 49330

v2024.08.05